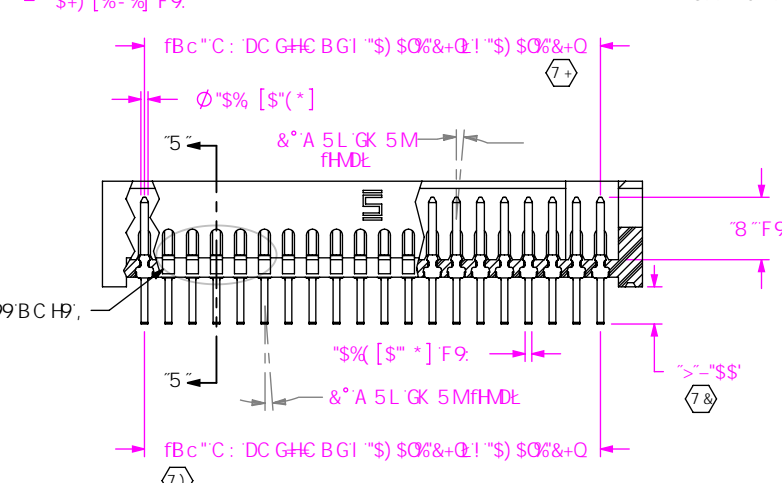
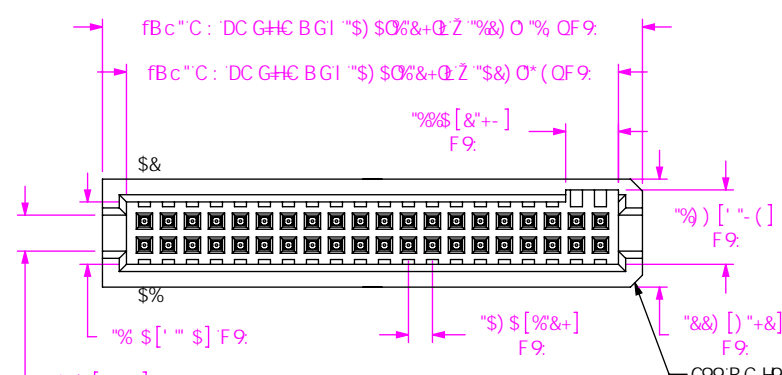


% "A B A I A " D I G < C I H : C F 7 9 H C ' 6 9 % & C N F 9 H B H C B : C F 7 C B I 5 7 H G 5 B 8 K 9 8 ' H 5 6 G ' & ' 7 C D 5 B 5 F # M '\$\$(O%Q1 DC G \$ & H K F I ' & '\$* % Q) Q1 DC G & + H F I) \$

" " BC H 8 9 9 H 8 " (" 7 F 9 D F 9 G 9 B H G 5 ' 7 F # 7 5 @ 8 A 9 B G C B ") " O Q 8 A 9 B G C B G 5 F 9 ' B ' A @ A 9 H F C " " A 9 5 G F 9 : F C A ' 6 9 B 8 " + " 8 A 9 B G C B 7 < 5 B : 9 8 D 9 F 9 J G C B 5 8 " " " 7 C B I 5 7 H 9 B : B 9 9 F B : : C F : B : C F A 5 H C B " " " G 8 9 G C : D 5 G H 7 ' 6 C 8 9 G C B 5 @ 9 5 8 G H M 9 G 9 L 7 9 D H " " H : 9 I S % / ' ! \$ & K @ 6 9 G C @ 8 Z B C H F ' 6 6 9 8 " - " A 9 5 G F 9 : F C A ' H 8 G C : ' D B " % \$ " " BC H 8 9 9 H 8 " % % " " \$ \$ ' O S , O A 5 L A I A ' H 9 F A ' B 5 @ 6 I F F " % & " " \$ \$ ' A 5 L A I A ' < 9 > < H J 5 F 5 H C B ' 6 9 H K 9 9 B ' 5 B M H C ' D B G " % " " A B A I A ' @ 7 ? B : ' 7 @ D F 9 H B H C B H C ' 6 9 : ' C N G " % (" H K G : 9 5 H F 9 C B @ M D F 9 G 9 B H C B ' ! \$ % / ' ! \$ & @ 9 5 8 G H M 9 G "



: ± 1 F 9 % H K F C I ; < < C @ ! \$ % ! \$ ' z ! % @ z ! % z ! % ! \$ ' z ! % ! \$!

TABLE 1 with columns LEAD STYLE, BODY, "A", TERMINAL 1, TERMINAL 2, "C", "D", "E", "J". Rows include various lead styles like -01, -11, -12, -21, -22, -31, -32, -01-RA, -01-RE1, -01-RE2, -03, -13, -23, -33.

Bc 'C : DC GHCBG

@ 9 5 8 ' G H M 9 ! \$ % f I) ' H K F I ' !) \$ 5 @ @ DC GHCBG 5 J 5 @ 6 9 L @ 9 5 8 ' G H M 9 ! \$ & f I) ' H K F I ' !) \$ 5 @ @ DC GHCBG 5 J 5 @ 6 9 L 5 @ C H K 9 F ' @ 9 5 8 ' G H M 9 G f I) ' H K F I ' !) \$ A I ' @ H 8 G C :) L @ 9 5 8 ' G H M 9 G ! % z ! % & D C G % z % z % + 5 @ C 5 @ 5 8 ' G H M 9 G ! % z ! % & z ! % ! ' & D C G % & ' 5 B 8 % ' 5 @ C ' 5 J 5 @ 6 9

@ 9 5 8 ' G H M 9

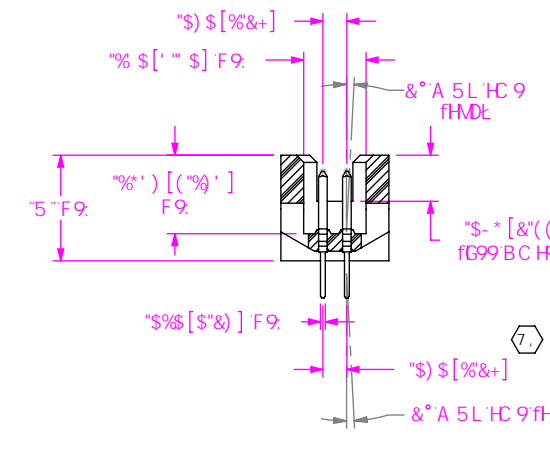
H K F C I ; < < C @ G I F : 5 7 9 A C I B H ! \$ % ! \$ ' f G 9 9 : ± "% L ! \$ & f G 9 9 : ± "% & ! % @ z ! % f G 9 9 : ± "% L ! % & f G 9 9 : ± "% & L ! % @ z ! % f G 9 9 : ± "% L ! & f G 9 9 : ± "% & L ! ' % @ z ! % f G 9 9 : ± "% L ! ' & f G 9 9 : ± "% & L

8 < D 5 H B : Q D 9 7 ÷ 7 5 H C B

I G : G 9 @ 7 H J 9 ! @ : < H G 9 @ 7 H J 9 ! : : @ G < 9 8 : C @ D : C @ B : @ G < 9 8 D 5 @ 8 # A ' B 7 ? 9 @ ! < : < 9 5 J M : C @ I G A : G 9 @ 7 H J 9 < 9 5 J M : C @ Z A 5 H 9 H B ' H 5 @ ! @ A : G 9 @ 7 H J 9 @ < H : C @ Z A 5 H 9 H B ' H 5 @ ! : A : G 9 @ 7 H J 9 : @ G < : C @ Z A 5 H 9 H B ' H 5 @ ! G H @ G 9 @ 7 H J 9 H B @ 9 5 8

6 C 8 M C D 9 7 ÷ 7 5 H C B

! 8 : 8 C I 6 @ F C K

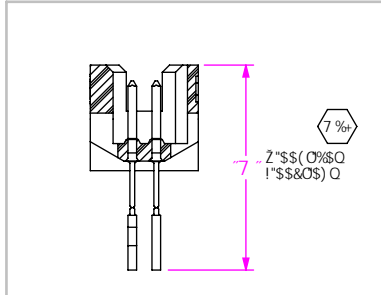


G 9 7 H C B ' 5 ' ! ' 5 "

C D H C B

'! 5 . 5 @ BA 9 B H D B ' f I G 9 H A I L L ! 8 I L L ! 5 z G 9 9 H 5 6 @ % L f G 9 9 : ± "% ' G < 9 9 H ' L f B C H 5 J 5 @ 6 @ : C F I F 5 ' C F I F 9 L @ ! @ . @ 7 ? B : ' 7 @ D f I G 9 @ ! \$) ! H A ! f B C H 5 J 5 @ 6 @ : C F I F 5 ' C F I F 9 L @ f G 9 9 : ± "% % G < 9 9 H ' L f G 9 9 B C H 9 % L ' D . D 7 ? ' 5 B 8 ' D 5 7 9 D 5 8 f I G 9 D D D ! \$ (L f B J 5 @ 6 @ B 5 @ D C G H C B @ L f B C H 5 J 5 @ 6 @ : C F I F 5 ' C F I F 9 L z G 9 9 : ± "% ' G < 9 9 H ' L I F 5 . F ± < H 5 B : @ f B J 5 @ 6 @ C B @ M B @ 9 5 8 G H M 9 . ! \$ % G 9 9 : ± "% ' Z G < 9 9 H & L I H : ' H 5 D 9 5 B 8 F 9 9 @ f G 9 9 : ± "% (' Z G < 9 9 H) L I G 5 . G 5 ? 9 8 5 @ BA 9 B H D B f G 9 9 : ± "% - z G < 9 9 H ' f B C H 5 J 5 @ 6 @ : C F I I F 5 ' C F I F 9 L ' ! . ' D C @ M A ' 8 9 : @ A f G 9 9 : ± "% L ! K H K 9 8 ' H 5 6 G f I G 9 K H & ! L L ! L f B J 5 @ 6 @ C B ! \$ % 5 B 8 ! \$ & @ 9 5 8 G H M 9 G C B @ M L f G 9 9 : ± "% * G < 9 9 H & L f B J 5 @ 6 @ C B ! \$) z ! % z ! % z ! % z ! & \$ z ! &) z 5 B 8 ! ' \$ D C G C B @ M L f B J 5 @ 6 @ K # ! 1 5 B 8 ' I G D 5 H B : ' C B @ M f B C H 5 J 5 @ 6 @ K # ! 5 z ! @ z ! F 5 z C F ! G 5 ' C D H C B @ L I F 9 % F ± < H 5 B : @ 9 @ J 5 H 9 H ' 5 @ f I G 9 H A I L L ! 8 ! \$ % F 9 z B C H 5 J 5 @ 6 @ K # C I H I K H 5 J 5 @ 6 @ B @ 9 5 8 G H M 9 ! \$ % C B @ M L f G 9 9 : ± "% @ z G < 9 9 H (L I F 9 & F ± < H 5 B : @ 9 @ J 5 H 9 H ' 5 @ f I G 9 H A I L L ! 8 ! \$ % F 9 z B C H 5 J 5 @ 6 @ K # C I H I K H 5 J 5 @ 6 @ B @ 9 5 8 G H M 9 ! \$ % C B @ M L f G 9 9 : ± "% @ z G < 9 9 H (L

I ' B C H F 9 @ 9 5 G 9 8 : C F D F C 8 I 7 H C B

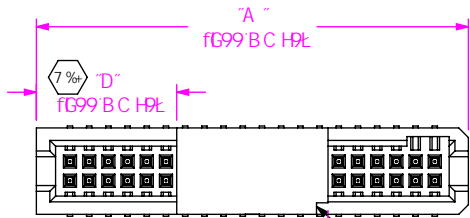


santec logo and contact information including address and phone numbers.

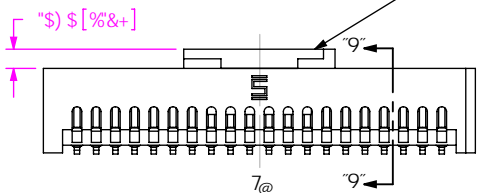
Technical specifications table with columns for part numbers and dimensions.

F9J GC B '8<

: ÷ | F9+
TDC DHC B
8 ÷: 9F9BH5GG<CK BZCH-9FK -69G5A 95G: ÷ "%
fD58 HC '69DC GHC B98 'C B 7"@ 5GG<CK BŁ



" - ([%\$"\$%]
F9.



"&& [) "+&
F9.

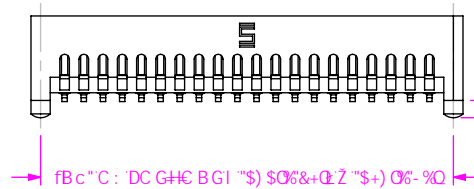
G97 HC B "91"9"

BC HPL Ā A Ī 1 fBc"C: DC GHC BGL "\$) \$Q%&+QZ "\$&) O "% Off9: Ł
..... K #k !K H Ī Ā Ī 1 fBc"C: DC GHC BGL "\$) \$Q%&+QZ "&* O ""*, Off9: Ł
..... Ī DĪ 1 d Ī Ā Ī ! "" - (O "\$ "\$ Q #&q- "\$&O) %Q

Ī BC H7 < C B D58 HC '69C B G5A 99B8
"5GH-9BCH7 < B Ī k 9HA '6C 8M

: ÷ | F9'
15 C DHC B

8 ÷: 9F9BH5GG<CK BZCH-9FK -69G5A 95G: ÷ "%

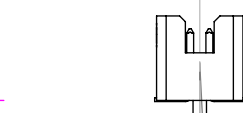
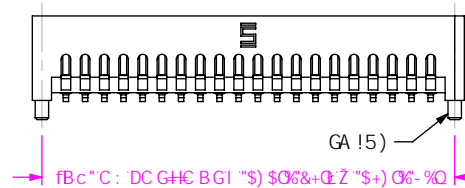


"("\$) [%%&]
F9.

F"\$&) O "% Off9: Ł
Ø "\$) [%%&]
F9.

: ÷ | F9'-

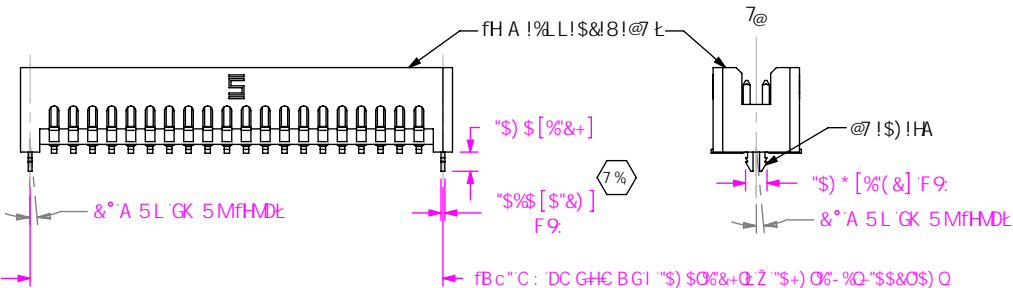
!G5 C DHC B. GF5?98'5@ BA 9BHD-B
8 ÷: 9F9BH5GG<CK BZCH-9FK -69G5A 95G: ÷ "%



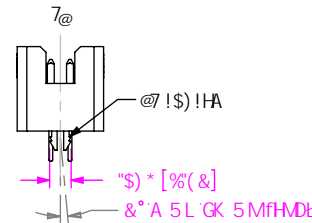
Ø "\$) [%%&]
F9.

&°A 5L GK 5MFHMDŁ

: ÷ | F9%\$
T@ C DHC B
8 ÷: 9F9BH5GG<CK BZCH-9FK -69G5A 95G: ÷ "%
fBCH5J 5-@6@C B Ī F5Ł



fHA !%L!\$%&8!@ Ł



DFC DF 9H5 FMBC ĪP
H-69C 71A 98H7 C BĪB G B- CFA 5HC B
7 C B: 69BĪ5 95B8 DFC DF 9H5 FMBC
GSA Ī97 2 87 5B8 G-5@BCH69F90FC 81 798
CF ĪF5B G 9F98 HC CH-9F 8C 7 Ī A 9BĪG C F
8 47 @ G98 HC CH-9FG C Ī G98 : C F 5B M
DĪ FDC G9 CH-9F ĪH-5B ĪH-5HK <7 < ĪHK 5G
C 6Ī5 B 98 K Īk C Ī ĪH-99LDF 9098 K F ĪH68
7 C B 98HC : GSA Ī97 2 87 "

8C 'BCHG7 5@ 8F5K B:
G: 99HG7 5@ 8F5K B:



)&\$ D5F? 95GH6@ 8ZB9K 5@5B M B (+) \$
D<C B9 ; %&Ī - ((Ī* + SL ; %&Ī - (Ī) \$ (+
Y Ī Ī U Ī ; Ī Ī Ī 4 GSA Ī97 'W Ī Ī a W Ī X Y .) ' &&

89G7 F DHC B.
"\$) \$ L "\$) \$ Ī Ī FFA B 5 @ G F Ī
8K : "BC"
HA !%L!\$%&8!@ Ł
6M 6 F 5 M +!%\$!&\$+ G<99H""C:)

F9J €€ B `8 <

∓ I F9%
 IF9L F ∓ <H5B; @9@J 5H98
 HA !%\$!LLL!LLL!8!F9&G<CK B
 8∓: 9F9BH5G<CK BZ<H<9FK €9G5A 95G: ∓ "%

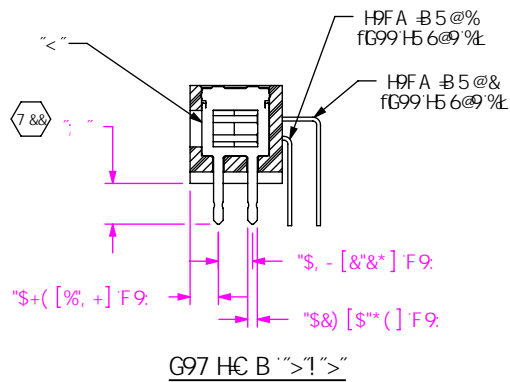
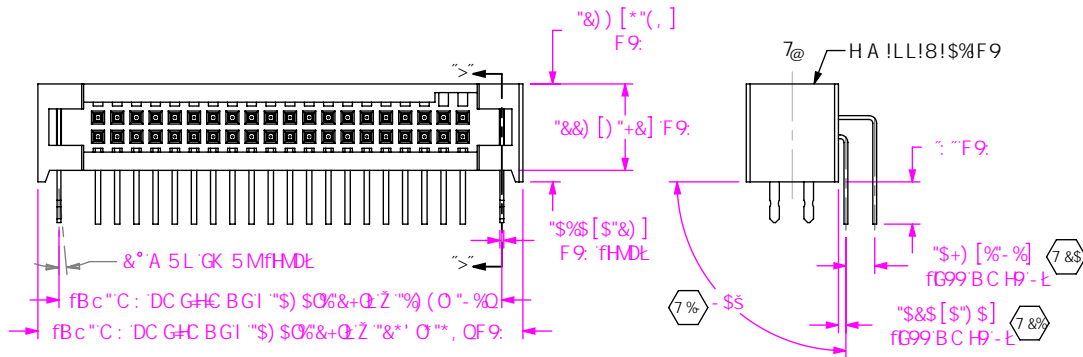
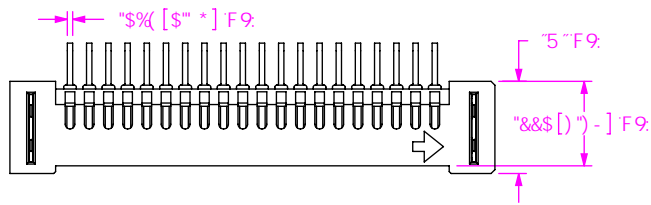
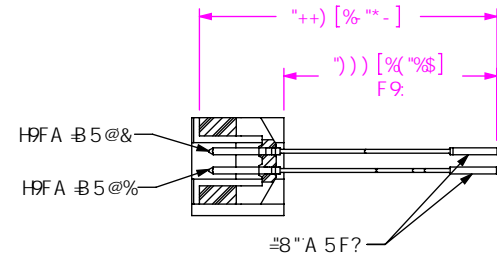


TABLE 3

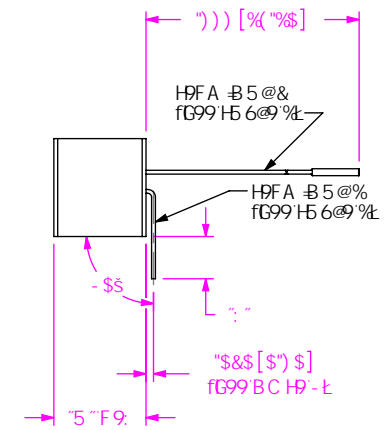
LEAD STYLE	"F"	"G"	"H"
-01-RE1	.078 [1.98]	.074 [1.88]	WT-25-05-T
-01-RE2	.110 [2.79]	.106 [2.69]	WT-25-06-T

:P8K : PA 67 PA ?H PHA !%L!LLL!LLL!LLL!LLIA ?HG@8FK

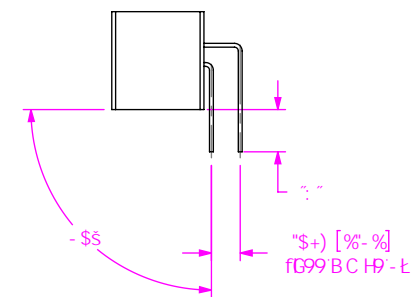
∓!DFC 7 9GG%
 fC F 9BH`8"A 5F?`5GG<CK BŁ
 fI C F `F5' C DHC B C B@Ł



∓!DFC 7 9GG &



∓!DFC 7 9GG'



DFC.DF-9H5 FMBCH
 H: €BC 71A 9BH7 C B16 BG B: CFA 5HC B
 7 C B: 49H4E 95B8 DFC DF 945 FME
 GSA H97 2 87`5B8 G-5@BCH 69 F90FC 81 7 98
 CF HF5BG 9F98 HC CH: 9F 8C 71A 9BH6CF
 8 47 @ 99H C: CH: 9FC F1 998 : CF 5BM
 DI FDC @9 CH: 9F H: 5B H: 5HK <7 < #HK 5G
 C 616 B 98 K #C I H: 9 9L DF 9098 K F #68
 7 C B 98HC : GSA H97 2 87`

8C `BCH G7 5@9 8F5K -B;

G: 99HG7 5@9 %&

santec

)&\$ D5F? 95GH6@ 82B9% 5@5BM`B` (+)% \$
 D<C B 9 ; %&L - ((! * +) & : ; ') () \$ (+
 YIA UJ ; ; z: 4 GSA H97 `Wc a ; ; ; ; ; ; ; ; ; ;) &&

8 967 F @HC B:

"\$) \$ L "\$) \$ ' HFA -B5@GF -Đ

8K : "`BC"

HA !%L!LLL!LLL!LLL

6M 6 F 5 M +!%\$!&\$+ G< 99H ("C:)

