



PE91029

Precision 7/16 DIN Female to 7/16 DIN Female Adapter Low PIM,
Low VSWR

7/16 DIN Female to 7/16 DIN Female Low PIM, Low VSWR Precision Adapters

- PIM levels <-165 dBc
- Low VSWR levels up to 8 GHz.
- Tri-metal Albaloy coating
 - durable surface with good corrosion protection
 - abrasion resistance
 - superior electrical contact properties.
- Available in various connector combinations
 - 7/16 DIN in-series
 - Type N in-series
 - 7/16 DIN to Type N and SMA in-between series
- 4-hole flange and bulkhead-mounted styles available
- Ideal choice for use in portable PIM testing

Configuration

Connector 1	7/16 DIN Female
Connector 2	7/16 DIN Female
Adapter Design	Precision
Body Style	Straight

Electrical Specifications

Frequency Range (GHz)	DC to 8
Impedance (Ohms)	50
VSWR, Max	1.2:1
Dielectric Withstanding Voltage (Vrms)	3500
Passive Intermodulation ((<-) dBc @ 2 x 20 Watts)	-165

Frequency 1

Frequency (GHz)	DC to 1
VSWR	1.03:1
Return Loss (dB)	38

Frequency 2

Frequency (GHz)	1 to 5
VSWR	1.08:1
Return Loss (dB)	28

Frequency 3

Frequency (GHz)	5 to 8
VSWR	1.2:1
Return Loss (dB)	21

Click the following link for the additional product information:
[Precision 7/16 DIN Female to 7/16 DIN Female Adapter Low PIM, Low VSWR PE91029](#)

Version C - Revision - © 2011 Pasternack Enterprises All Rights Reserved.





Precision 7/16 DIN Female to 7/16 DIN Female Adapter Low PIM,
Low VSWR

PE91029

Mechanical Specifications

Temperature Operating Range (deg C)	-55 to +155
Weight (lbs)	0.22
Length (inches)	1.25
Width/Dia. (inches)	1.142
Dielectric Type	PTFE

Connector 1

Mating Cycles
Inner Conductor Material and Plating
Outer Conductor Material and Plating

7/16 DIN Female

500
Beryllium Copper, Silver, 5µm
Brass, Tri Metal – Albaloy, 2.54µm

Connector 2

Mating Cycles
Inner Conductor Material and Plating
Outer Conductor Material and Plating

7/16 DIN Female

500
Beryllium Copper, Silver, 5µm
Brass, Tri Metal – Albaloy, 2.54µm

Compliance Certifications (visit www.Pasternack.com for current document)

RoHS Compliant Yes, by exemption

Other Data

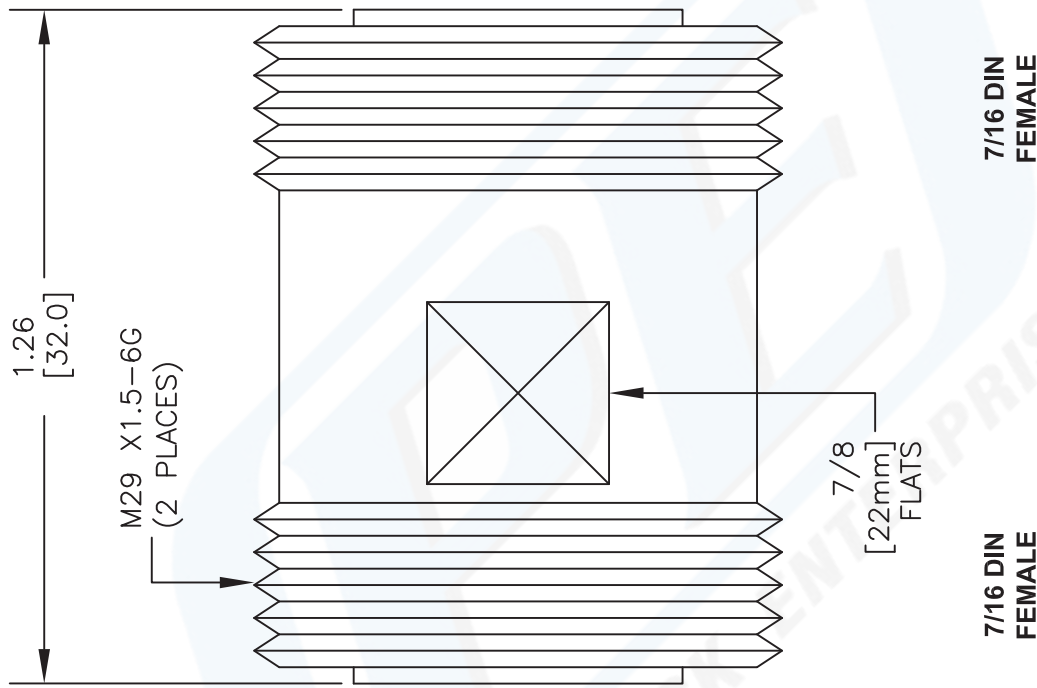
URL: <http://www.pasternack.com/7-16-female-7-16-female-straight-adapter-pe91029-p.aspx>

Precision 7/16 DIN Female to 7/16 DIN Female Adapter Low PIM, Low VSWR from Pasternack Enterprises has same day shipment for domestic and International orders. Our RF, microwave and fiber optic products maintain a 99% availability and are part of the broadest selection in the industry.

Version C - Revision - © 2011 Pasternack Enterprises All Rights Reserved.

PE91029 CAD Drawing

Precision 7/16 DIN Female to 7/16 DIN Female Adapter Low PIM, Low VSWR



NOTES:

1. UNLESS OTHERWISE SPECIFIED ALL DIMENSIONS ARE NOMINAL.
2. ALL SPECIFICATIONS ARE SUBJECT TO CHANGE WITHOUT NOTICE AT ANY TIME.
3. DIMENSIONS ARE IN INCHES [mm].

DWG TITLE

PE91029

REV. -

FSCM NO. 53919

CAD FILE 050312

SCALE N/A

SIZE A

2233

PASTERNAK ENTERPRISES, INC.

P.O. BOX 16759, IRVINE, CA 92623
PHONE (949) 261-1920 FAX (949) 261-7451

WEB ADDRESS: www.pasternack.com
E-MAIL ADDRESS: sales@pasternack.com

COAXIAL & FIBER OPTICS

