



# FSAV433 — High-Bandwidth (550MHz), 3-Channel, 3:1 Video Switch

## Features

- Ground between Channels to Optimize Isolation and Reduce Hostile Crosstalk
- -70dB Non-Adjacent Channel Crosstalk at 30MHz
- On Resistance: 6.5Ω (Typical)
- -3dB Bandwidth: 550MHz
- Low Power Consumption: 1μA (Maximum)

## Applications

- RGB Video Switch in LCD, Plasma and Projector Displays
- DVD-RW

## Description

The FSAV433 is an ultra-low power, high-bandwidth video switch specially designed for switching three analog video signals, including computer RGB and high-definition YPbPr signals. The wide bandwidth (550MHz) of the switch allows signal passage with minimum edge and phase distortion, while -70dB non-adjacent channel crosstalk generates negligible image noise between active channels. Optimized differential gain and phases maintain the image integrity of video applications, while low on resistance offers low signal insertion loss.

The Fairchild switch family derives from and embodies Fairchild's proven switch technology used for years in its 74LVX3L384 (FST3384) bus switch product.

## Ordering Information

Part Number	Operating Temperature Range	Package	Packing Method
FSAV433MTCX	-40 to +85°C	20-Lead, Thin Shrink Small Outline Package (TSSOP), JEDEC MO-153, 4.4mm Wide	Tape and Reel

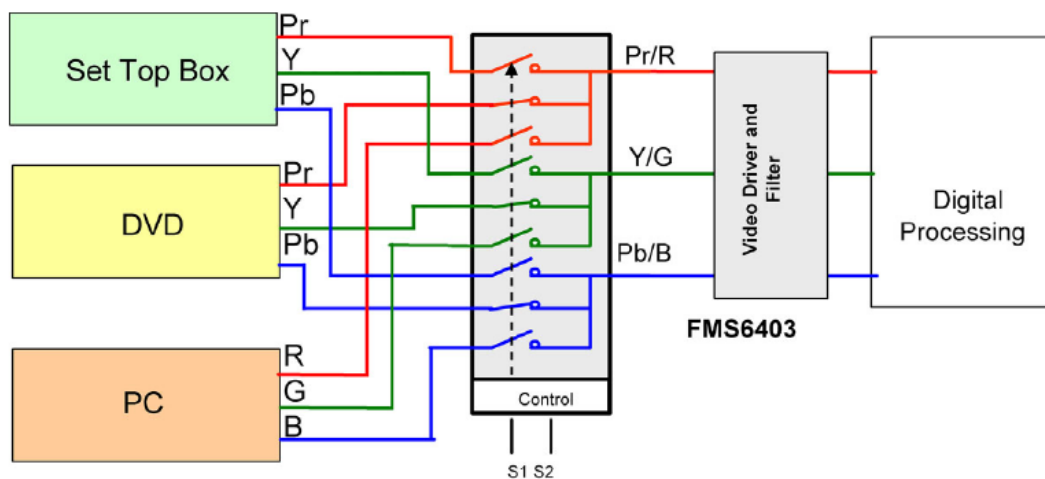


Figure 1. Typical Application Diagram

## Pin Configurations

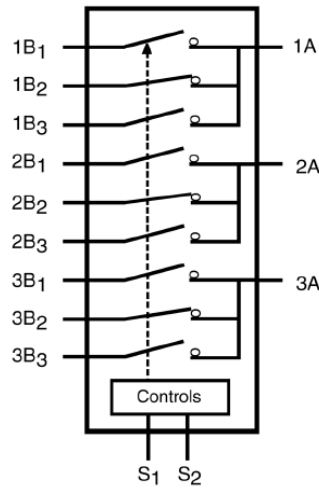


Figure 2. Analog Symbol

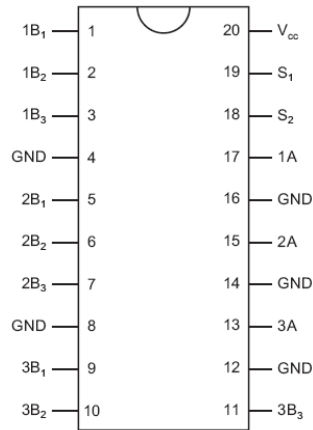


Figure 3. TSSOP Pin Assignments (Top Through View)

## Pin Descriptions

Pin #	Name	Description
1, 2, 3, 5, 6, 7, 9, 10, 11	1B <sub>1</sub> , 2B <sub>2</sub> , 3B <sub>2</sub>	Bus B
4, 8, 12, 14, 16	GND	Ground
13, 15, 17	1A, 2A, 3A	Bus A
18, 19	S <sub>1</sub> , S <sub>2</sub>	Select Input
20	V <sub>CC</sub>	Supply Voltage

## Truth Table

S <sub>1</sub>	S <sub>2</sub>	Function
LOW	LOW	Disconnected
LOW	HIGH	A=B <sub>1</sub>
HIGH	LOW	A=B <sub>2</sub>
HIGH	HIGH	A=B <sub>3</sub>

## Absolute Maximum Ratings

Stresses exceeding the absolute maximum ratings may damage the device. The device may not function or be operable above the recommended operating conditions and stressing the parts to these levels is not recommended. In addition, extended exposure to stresses above the recommended operating conditions may affect device reliability. The absolute maximum ratings are stress ratings only.

Symbol	Parameter	Min.	Max.	Unit
$V_{CC}$	Supply Voltage	-0.5	+4.6	V
$V_S$	DC Switch Voltage	-0.5	$V_{CC}+0.5$	V
$V_{IN}$	DC Input Voltage <sup>(1)</sup>	-0.5	+4.6	V
$I_{IK}$	DC Input Diode Current, $V_{IN} < 0V$	-50		mA
$I_{OUT}$	DC Output Sink Current		100	mA
$I_{CC}/I_{GND}$	DC $V_{CC}$ / GND Current		±100	mA
$T_{STG}$	Storage Temperature Range	-65	+150	°C
ESD	Human Body Model, JESD22-A114		7000	V

**Note:**

- The input and output negative voltage ratings may be exceeded if the input and output diode current ratings are observed.

## Recommended Operating Conditions

The Recommended Operating Conditions table defines the conditions for actual device operation. Recommended operating conditions are specified to ensure optimal performance to the datasheet specifications. Fairchild does not recommend exceeding them or designing to Absolute Maximum Ratings.

Symbol	Parameter	Min.	Max.	Unit
$V_{CC}$	Power Supply Operating	2.3	3.6	V
$V_{IN}$	Input Voltage	0	$V_{CC}$	V
$T_A$	Operating Temperature, Free Air	-40	+85	°C

**Note:**

- Unused control inputs must be held HIGH or LOW; they may not float.

## DC Electrical Characteristics

Typical values are at  $T_A = +25^\circ\text{C}$ .

Symbol	Parameter	Conditions	$V_{CC}$ (V)	$T_A = -40$ to $+85^\circ\text{C}$			Units		
				Min.	Typ.	Max.			
$V_{ANALOG}$	Analog Signal Range		2.3 to 3.0	0		2	V		
$V_{IK}$	Clamp Diode Voltage	$I_{IN} = -18\text{mA}$	3.0			-1.2	V		
$V_{IH}$	High-Level Input Voltage		2.3	1.8			V		
			3.0 to 3.6	2.0					
$V_{IL}$	Low-Level Input Voltage		2.3			0.8	V		
			3.0 to 3.6						
$I_I$	Input Leakage Current	$0 \leq V_{IN} \leq 3.6V$	3.6			±1.0	μA		
$I_{OFF}$	Off-State Leakage Current	$0 \leq A, B \leq V_{CC}$ , See Figure 9	3.6			±1.0	μA		
$R_{ON}$	Switch On Resistance <sup>(3)</sup>	$V_{IN} = 1.0V$ , $I_{ON} = 13\text{mA}$ , See Figure 7	2.3		9.0	13.0	Ω		
			3.0		6.5	9.0			
		3.0		$V_{IN} = 2.0V$ , $I_{ON} = 26\text{mA}$ , See Figure 7	2.3			10.0	15.0
				$V_{IN} = 2.0V$ , $I_{ON} = 26\text{mA}$ , See Figure 7	3.0			6.5	9.0
$I_{CC}$	Quiescent Supply Current	$V_{IN} = V_{CC}$ or GND, $I_{OUT} = 0$	3.6			1	μA		
$I_{CCT}$	Increase in $I_{CC}$ per Input	One Control Input at 3.0V Other Inputs at $V_{CC}$ or GND	3.6			10	μA		

**Note:**

- Measured by the voltage drop between the A and B pins at the indicated current through the switch. On resistance is determined by the lower of the voltages on the A or B pins.

## AC Electrical Characteristics

Typical values are at  $V_{CC}=3.3V$  and  $T_A=+25^{\circ}C$ .

Symbol	Parameter	Conditions	$V_{CC}$	$T_A=-40\text{ to }+85^{\circ}C$			Units	Figure
				Min.	Typ.	Max.		
$t_{ON}$	Turn On Time S to Bus A	$V_B=2V$	3.0 to 3.6			5.5	ns	Figure 8, Figure 10
			2.3 to 2.7			7		
$t_{OFF}$	Turn Off Time S to Bus A	$V_B=2V$	3.0 to 3.6			4	ns	Figure 8, Figure 10
			2.3 to 2.7			5		
$D_G$	Differential Gain	$R_L=75\Omega$ , $f=3.58MHz$	3.0 to 3.6		0.2		%	
$D_P$	Differential Phase	$R_L=75\Omega$ , $f=3.58MHz$	3.0 to 3.6		0.1		°	
$O_{IRR}$	Non-Adjacent Off Isolation	$R_L=75\Omega$ , $f=30MHz$	3.0 to 3.6		-45		dB	Figure 13
	Adjacent Off Isolation		2.3 to 2.7		-45			
$X_{TALK}$	Non-Adjacent Channel Crosstalk	$R_L=75\Omega$ , $f=30MHz$	3.0 to 3.6		-70		dB	Figure 15
	Adjacent Channel Crosstalk		2.3 to 2.7		-70			Figure 14
$B_W$	-3dB Bandwidth	$R_L=50\Omega$	3.0 to 3.6		550		MHz	Figure 12
		$R_L=75\Omega$			300			

## Capacitance

Typical values are at  $V_{CC}=3.3V$  and  $T_A=+25^{\circ}C$ .

Symbol	Parameter	Conditions	Typ.	Units	Figure
$C_{IN}$	Control Pin Input Capacitance	$V_{CC}=0V$	3	pF	
$C_{ON}$	A/B On Capacitance	$V_{CC}=3.0V=0V$	15	pF	Figure 17
$C_{OFF}$	Port B Off Capacitance	$V_{CC}=3.3V$	4	pF	Figure 16

Typical Characteristics

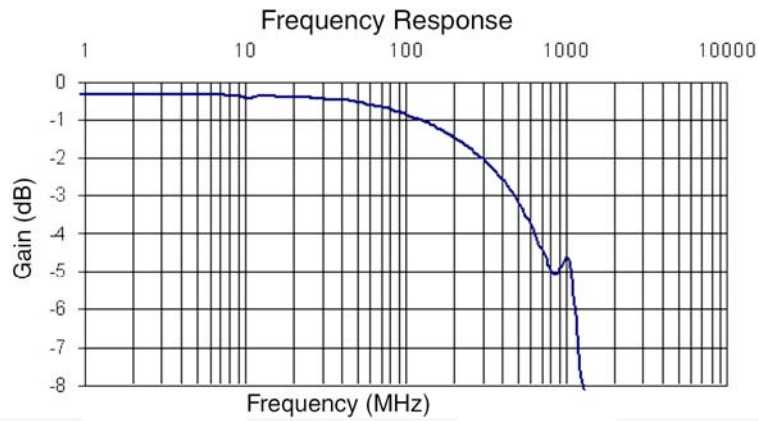


Figure 4. Gain vs. Frequency ( $V_{BAIS}=0.5V$ ,  $V_{CC}=3.6V$ ,  $R_L=50\Omega$ )

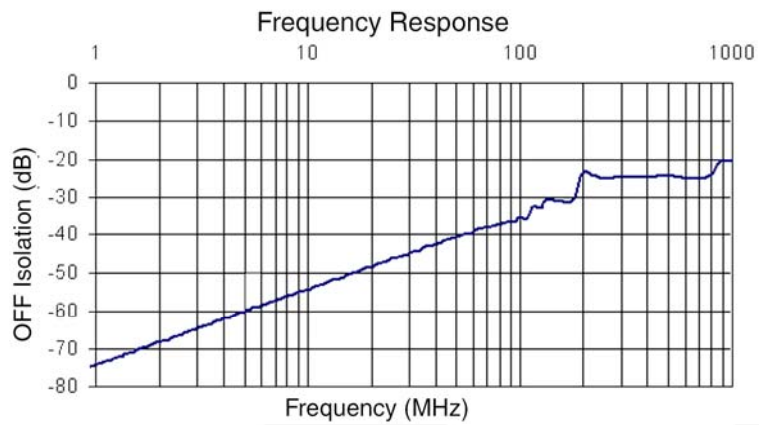


Figure 5. Off Isolation ( $V_{BAIS}=0.5V$ ,  $V_{CC}=3.0V$ ,  $SEL_n=LOW$ )

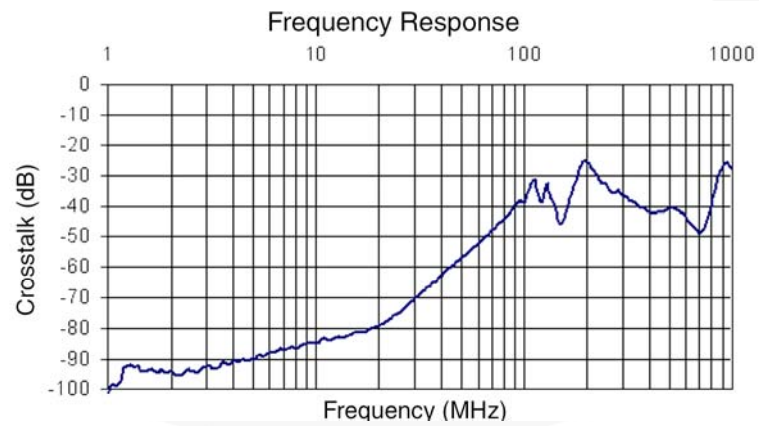


Figure 6. Crosstalk ( $V_{BAIS}=0.5V$ ,  $V_{CC}=3.0V$ ,  $SEL_n=HIGH$ )

## Test Diagrams

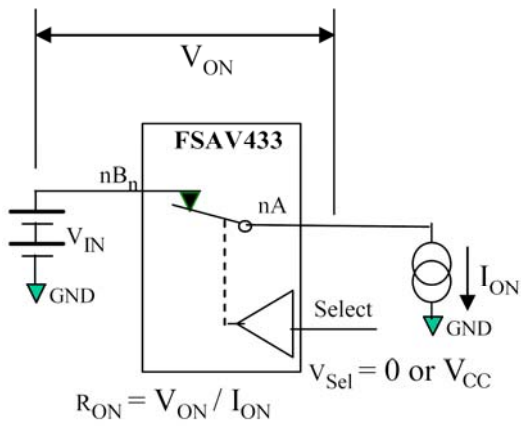
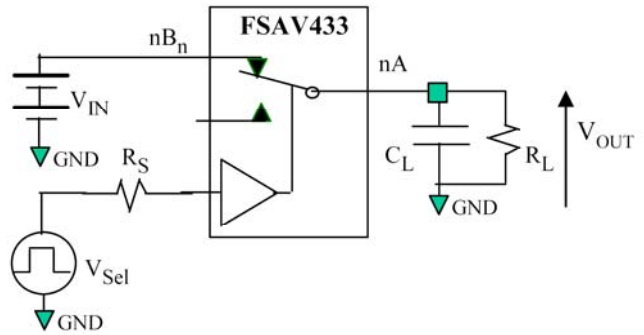


Figure 7. On Resistance



**Note:**

- $R_L$  and  $C_L$  are functions of the application environment (50, 75, or 100 $\Omega$ )  $C_L$  includes test fixture and stray capacitance.

Figure 8. Test Circuit Load

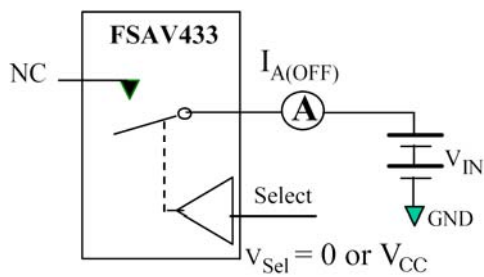


Figure 9. Off Leakage

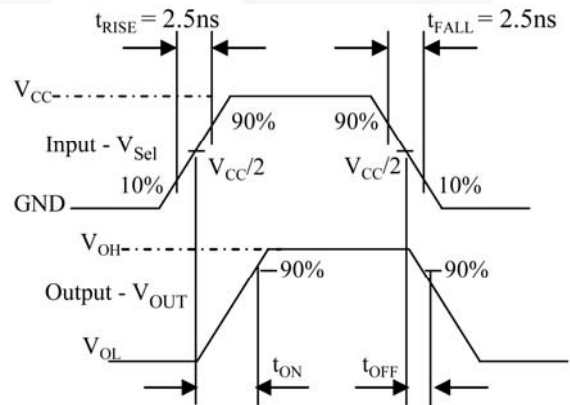


Figure 10. Turn On / Off Waveforms

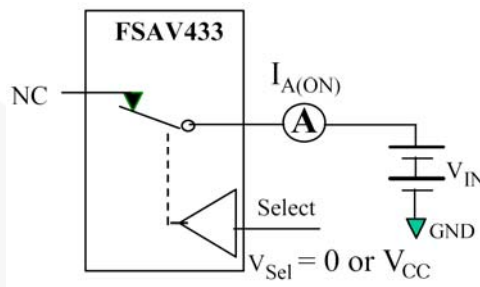
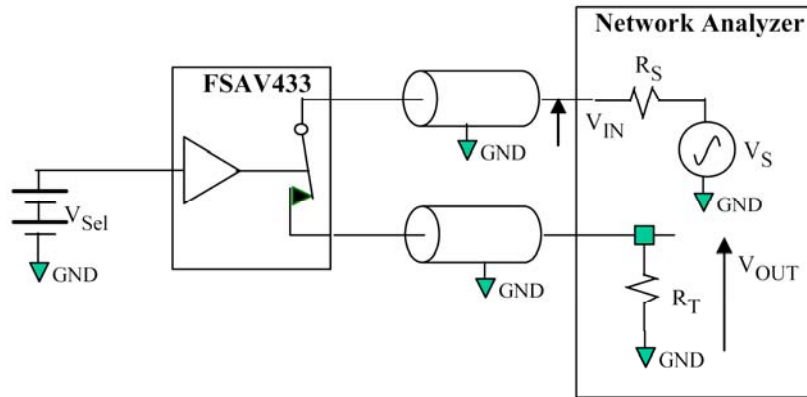


Figure 11. On Leakage

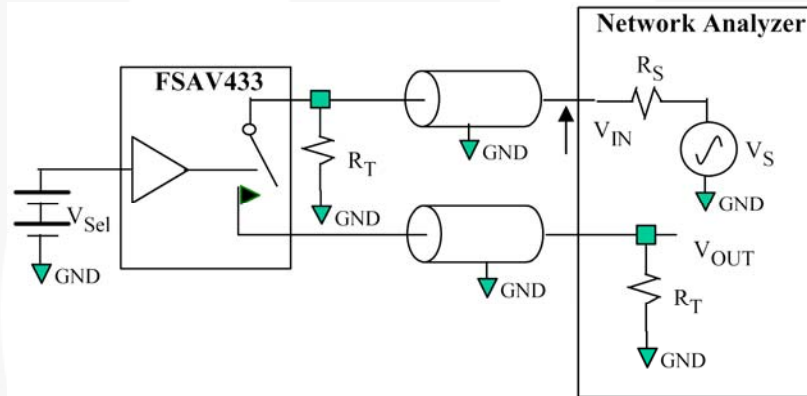
**Test Diagrams (Continued)**



**Notes:**

- 5.  $R_S$  and  $R_T$  are functions of the application environment (50, 75, or 100 $\Omega$ ).

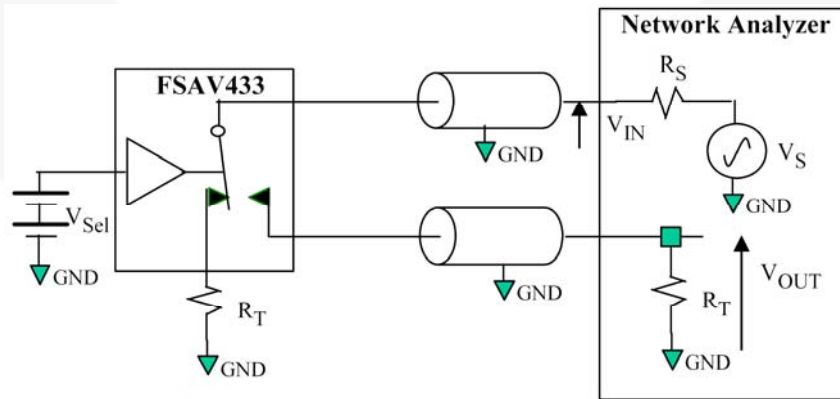
**Figure 12. Bandwidth**



**Notes:**

- 6.  $R_S$  and  $R_T$  are functions of the application environment (50, 75, or 100 $\Omega$ ).
- 7. Off isolation =  $20 \text{ Log } (V_{OUT} / V_{IN})$ .

**Figure 13. Channel Off Isolation**

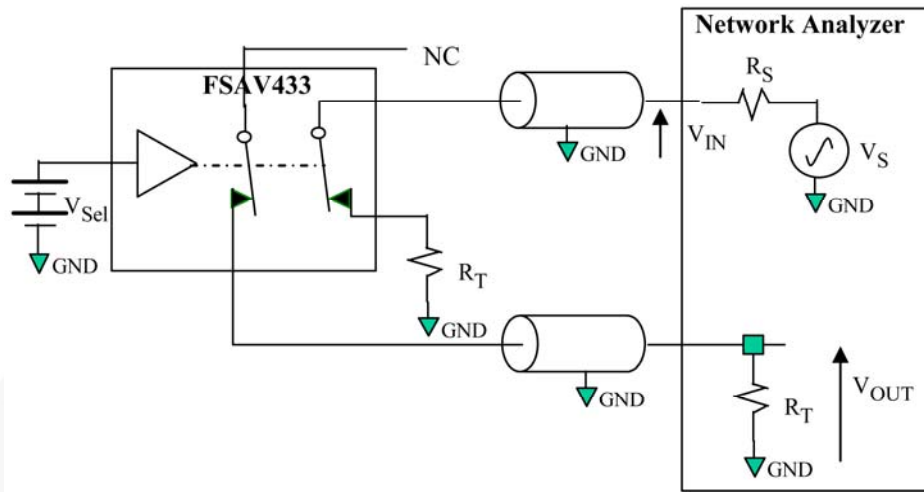


**Note:**

- 8. Crosstalk =  $20 \text{ Log } (V_{OUT} / V_{IN})$ .

**Figure 14. Adjacent Channel Crosstalk**

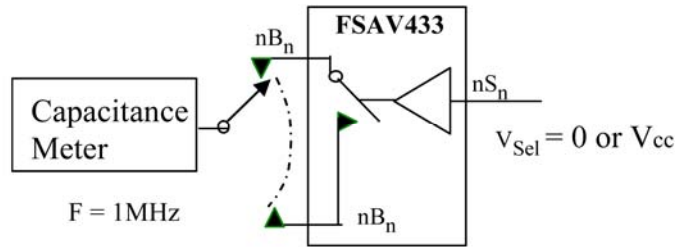
**Test Diagrams (Continued)**



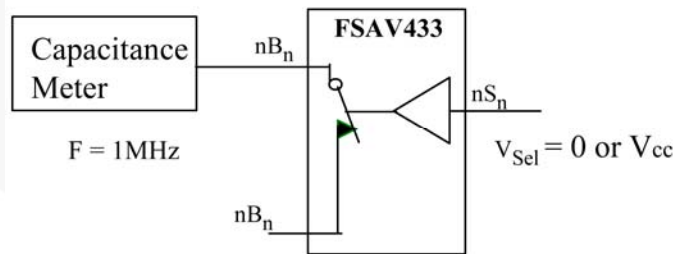
**Notes:**

- 9.  $R_S$  and  $R_T$  are functions of the application environment (50, 75, or 100 $\Omega$ ).
- 10. Crosstalk =  $20 \text{ Log } (V_{OUT} / V_{IN})$ .

**Figure 15. Non-Adjacent Channel-to-Channel Crosstalk**



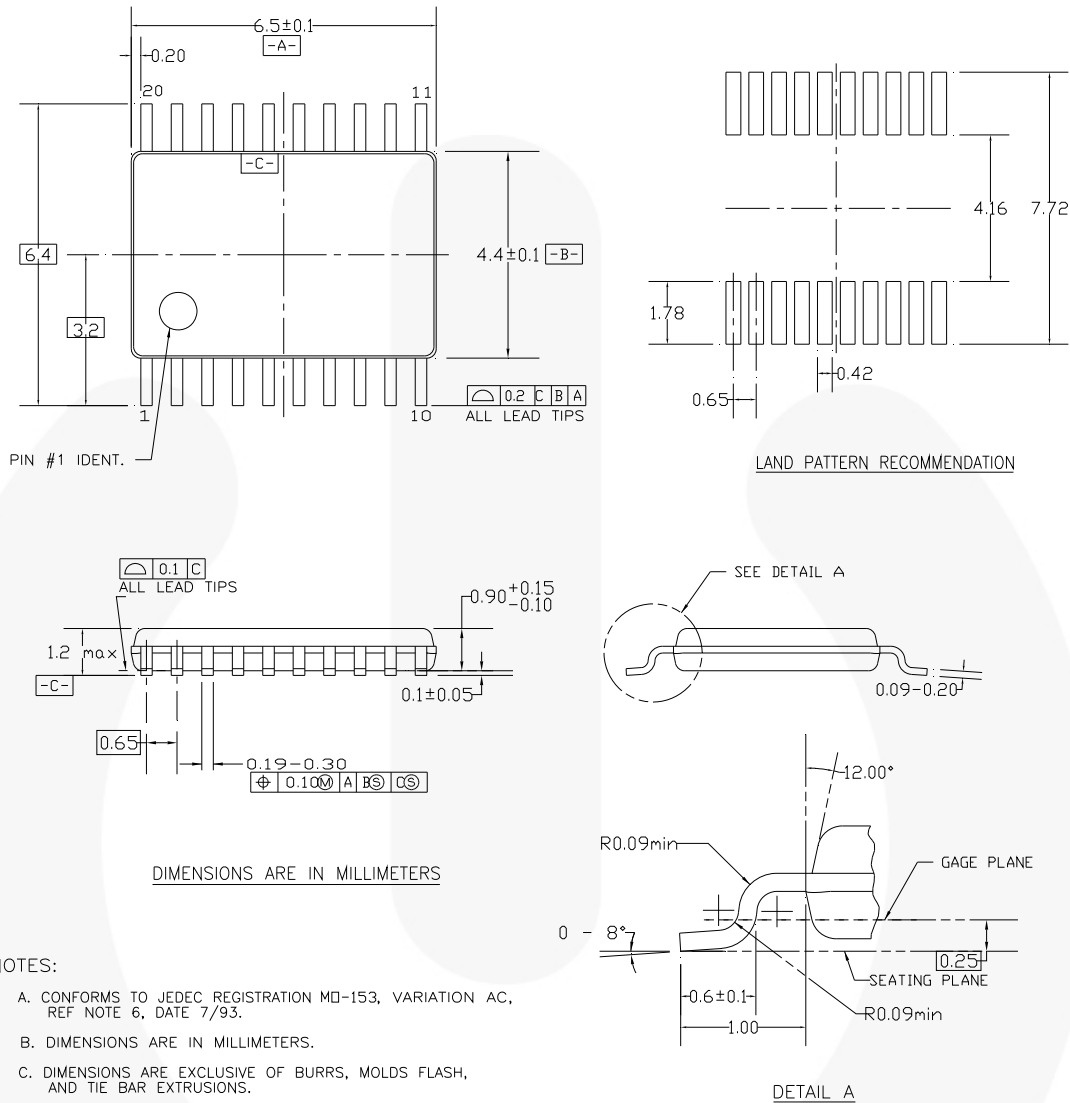
**Figure 16. Channel Off Capacitance**



**Figure 17. Channel On Capacitance**



## Physical Dimensions



MTC20REV D1

**Figure 18. 20-Lead, Thin Shrink Small Outline Package (TSSOP)**

Package drawings are provided as a service to customers considering Fairchild components. Drawings may change in any manner without notice. Please note the revision and/or date on the drawing and contact a Fairchild Semiconductor representative to verify or obtain the most recent revision. Package specifications do not expand the terms of Fairchild's worldwide terms and conditions, specifically the warranty therein, which covers Fairchild products.

Always visit Fairchild Semiconductor's online packaging area for the most recent package drawings:  
<http://www.fairchildsemi.com/packaging>.



**TRADEMARKS**

The following includes registered and unregistered trademarks and service marks, owned by Fairchild Semiconductor and/or its global subsidiaries, and is not intended to be an exhaustive list of all such trademarks.

AccuPower™	F-PFS™	Power-SPM™	The Power Franchise®
Auto-SPM™	FRFET®	PowerTrench®	The Right Technology for Your Success™
AX-CAP™*	Global Power Resource™	PowerXS™	<b>the power franchise</b>
Build it Now™	Green FPST™	Programmable Active Droop™	TinyBoost™
CorePLUS™	Green FPST™ e-Series™	QFET®	TinyBuck™
CorePOWER™	Gmax™	QS™	TinyCalc™
CROSSVOLT™	GTO™	Quiet Series™	TinyLogic®
CTL™	IntelliMAX™	RapidConfigure™	TINYOPTO™
Current Transfer Logic™	ISOPLANAR™	™	TinyPower™
DEUXPEED®	MegaBuck™	Saving our world, 1mW/kW at a time™	TinyPWM™
Dual Cool™	MICROCOUPLER™	SignalWise™	TinyWire™
EcoSPARK®	MicroFET™	SmartMax™	TrnFault Detect™
EfficientMax™	MicroPak™	SMART START™	TRUECURRENT®*
ESBC™	MicroPak2™	SPM®	µSerDes™
<b>F</b> ®	MillerDrive™	STEALTH™	SerDes™
Fairchild®	MotionMax™	SuperFET®	UHC®
Fairchild Semiconductor®	Motion-SPM™	SuperSOT™3	Ultra FRFET™
FACT Quiet Series™	mWSaver™	SuperSOT™-6	UniFET™
FACT®	OptoHiT™	SuperSOT™-8	Vcx™
FAST®	OPTOLOGIC®	SupreMOS®	VisualMax™
FastvCore™	OPTOPLANAR®	SynCFET™	XST™
FETBench™	™	Syn-Lock™	
FlashWriter®*	PDP SPM™	SYSTEM GENERAL®*	
FPST™			

\* Trademarks of System General Corporation, used under license by Fairchild Semiconductor.

**DISCLAIMER**

FAIRCHILD SEMICONDUCTOR RESERVES THE RIGHT TO MAKE CHANGES WITHOUT FURTHER NOTICE TO ANY PRODUCTS HEREIN TO IMPROVE RELIABILITY, FUNCTION, OR DESIGN. FAIRCHILD DOES NOT ASSUME ANY LIABILITY ARISING OUT OF THE APPLICATION OR USE OF ANY PRODUCT OR CIRCUIT DESCRIBED HEREIN; NEITHER DOES IT CONVEY ANY LICENSE UNDER ITS PATENT RIGHTS, NOR THE RIGHTS OF OTHERS. THESE SPECIFICATIONS DO NOT EXPAND THE TERMS OF FAIRCHILD'S WORLDWIDE TERMS AND CONDITIONS, SPECIFICALLY THE WARRANTY THEREIN, WHICH COVERS THESE PRODUCTS.

**LIFE SUPPORT POLICY**

FAIRCHILD'S PRODUCTS ARE NOT AUTHORIZED FOR USE AS CRITICAL COMPONENTS IN LIFE SUPPORT DEVICES OR SYSTEMS WITHOUT THE EXPRESS WRITTEN APPROVAL OF FAIRCHILD SEMICONDUCTOR CORPORATION.

As used herein:

1. Life support devices or systems are devices or systems which, (a) are intended for surgical implant into the body or (b) support or sustain life, and (c) whose failure to perform when properly used in accordance with instructions for use provided in the labeling, can be reasonably expected to result in a significant injury of the user.
2. A critical component in any component of a life support, device, or system whose failure to perform can be reasonably expected to cause the failure of the life support device or system, or to affect its safety or effectiveness.

**ANTI-COUNTERFEITING POLICY**

Fairchild Semiconductor Corporation's Anti-Counterfeiting Policy. Fairchild's Anti-Counterfeiting Policy is also stated on our external website, [www.fairchildsemi.com](http://www.fairchildsemi.com), under Sales Support.

Counterfeiting of semiconductor parts is a growing problem in the industry. All manufacturers of semiconductor products are experiencing counterfeiting of their parts. Customers who inadvertently purchase counterfeit parts experience many problems such as loss of brand reputation, substandard performance, failed applications, and increased cost of production and manufacturing delays. Fairchild is taking strong measures to protect ourselves and our customers from the proliferation of counterfeit parts. Fairchild strongly encourages customers to purchase Fairchild parts either directly from Fairchild or from Authorized Fairchild Distributors who are listed by country on our web page cited above. Products customers buy either from Fairchild directly or from Authorized Fairchild Distributors are genuine parts, have full traceability, meet Fairchild's quality standards for handling and storage and provide access to Fairchild's full range of up-to-date technical and product information. Fairchild and our Authorized Distributors will stand behind all warranties and will appropriately address any warranty issues that may arise. Fairchild will not provide any warranty coverage or other assistance for parts bought from Unauthorized Sources. Fairchild is committed to combat this global problem and encourage our customers to do their part in stopping this practice by buying direct or from authorized distributors.

**PRODUCT STATUS DEFINITIONS**

**Definition of Terms**

Datasheet Identification	Product Status	Definition
Advance Information	Formative / In Design	Datasheet contains the design specifications for product development. Specifications may change in any manner without notice.
Preliminary	First Production	Datasheet contains preliminary data; supplementary data will be published at a later date. Fairchild Semiconductor reserves the right to make changes at any time without notice to improve design.
No Identification Needed	Full Production	Datasheet contains final specifications. Fairchild Semiconductor reserves the right to make changes at any time without notice to improve the design.
Obsolete	Not In Production	Datasheet contains specifications on a product that is discontinued by Fairchild Semiconductor. The datasheet is for reference information only.

Rev. 153