

6

5

4

3

2

1

MATERIAL AND FINISH:

Insulator: Polycarbonate, UL-94V-0 rated

Contacts: Brass, Tin Plated

ELECTRICAL SPECIFICATIONS:

Current rating: 10 A/15 A

Voltage rating: 250 VAC

Insulation resistance: 100 Mohm min. at 500 VDC

Dielectric withstanding voltage: 2000 VAC for one minute

ORDERING CODE:

43R04-1 1
 1 2

1) COLOR

1 = BLACK

2 = GRAY



2) ELECTRICAL CIRCUIT CONFIGURATION

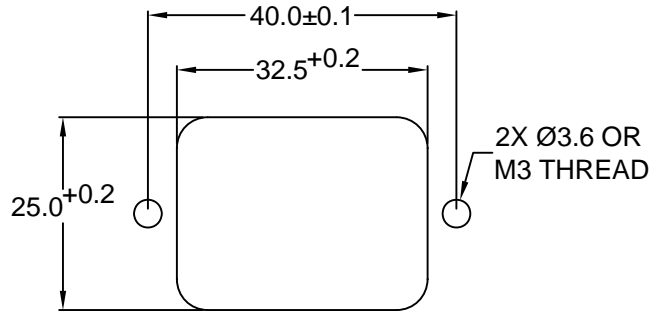
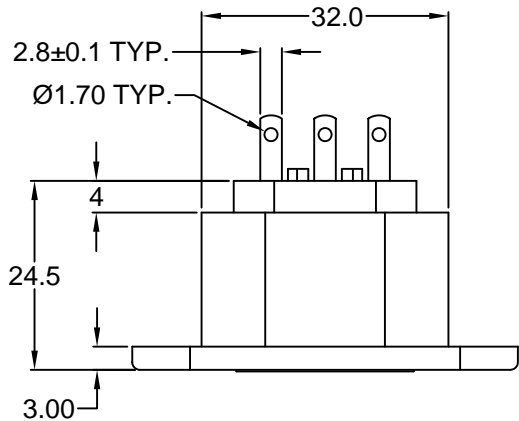
1 = 10A 250V 70°C 



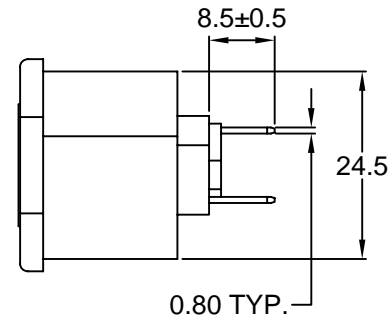
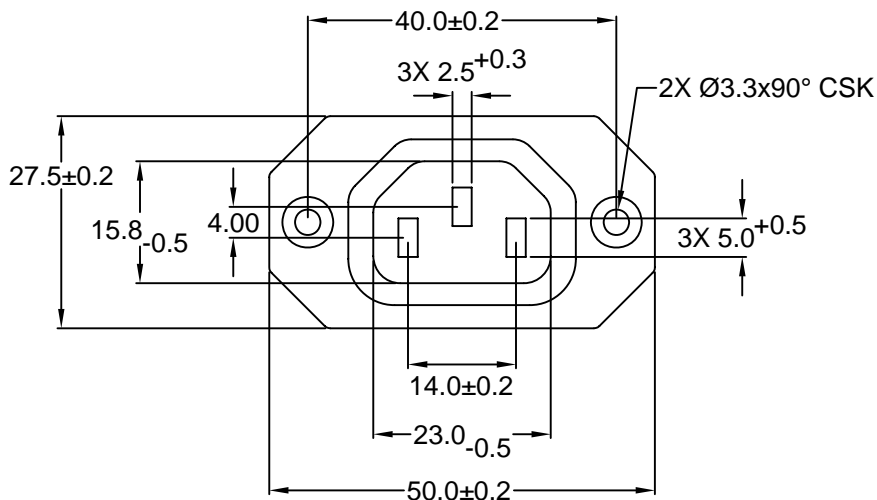
15A 250V 70°C  
2+GROUND

2 = 10A 250V 120°C

15A 250V 120°C  
2+GROUND



RECOMMENDED
PANEL CUTOUT



RoHS
COMPLIANT

REVISIONS	CHANGE	CHKG	CHKD	APPR
REV	DATE			

TOLERANCE UNLESS OTHERWISE SPECIFIED			
X	± 1		
X.X	± 0.4		
X.XX	± 0.20		
DRAWN BY	DT	DATE:	12/31/03
CHECK BY	PB	DATE:	1/5/04
APPR BY		DATE:	

Power Dynamics, Inc.

Phone: 973 560-0019 Whippany, New Jersey Fax: 973 560-0076

PART: 10A/15A IEC 60320 APPL. OUTLET; SOLDER
TERMINALS; SIDE FLANGE, PANEL MOUNT

PART #:	43R04-1X1X	SHEET	1 of 1
SIZE:	A	ALL DIMENSIONS FOR REFERENCE ONLY DIMENSIONS ARE IN MILLIMETERS	
SCALE:	NTS	REV:	

6

5

4

3

2

1