

**PLEASE CHECK WWW.MOLEX.COM FOR LATEST PART INFORMATION**

**Part Number:** [0395354003](#)  
**Status:** **Active**  
**Description:** 5.08mm (.200") Pitch Eurostyle™ Vertical PCB Header, with Threaded Retention Inserts, Surface Mount Compatible, 3 Circuits

**Documents:**

[3D Model](#) [Product Specification PS-39500-001 \(PDF\)](#)  
[Drawing \(PDF\)](#) [RoHS Certificate of Compliance \(PDF\)](#)

**General**

|                             |                           |
|-----------------------------|---------------------------|
| Product Family              | Terminal Blocks           |
| Series                      | <a href="#">39535</a>     |
| Application                 | Wire-to-Board             |
| Component Type              | PCB Header                |
| Product Literature Order No | USA-355                   |
| Product Name                | ESE, Eurostyle™ Pluggable |
| Type                        | Euro Block                |

**Physical**

|                                |                 |
|--------------------------------|-----------------|
| Circuits (Loaded)              | 3               |
| Entry Angle                    | N/A             |
| Lock to Mating Part            | Yes             |
| Number of Rows                 | 1               |
| Orientation                    | Vertical        |
| PC Tail Length (in)            | 0.200 In        |
| PC Tail Length (mm)            | 5.08 mm         |
| PCB Thickness Recommended (in) | 0.125 In        |
| PCB Thickness Recommended (mm) | 3.20 mm         |
| Panel Mount                    | No              |
| Pitch - Mating Interface (in)  | 0.200 In        |
| Pitch - Mating Interface (mm)  | 5.08 mm         |
| Polarized to Mating Part       | Yes             |
| Shrouded                       | Closed Ends     |
| Stackable                      | No              |
| Surface Mount Compatible (SMC) | Yes             |
| Temperature Range - Operating  | -40°C to +140°C |
| Wire Size AWG                  | N/A             |

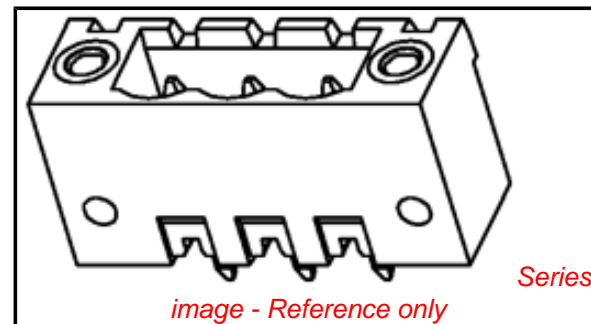
**Electrical**

|                               |      |
|-------------------------------|------|
| Current - Maximum per Contact | 15A  |
| Voltage - Maximum             | 300V |

**Material Info**

**Reference - Drawing Numbers**

|                       |                            |
|-----------------------|----------------------------|
| Product Specification | PS-39500-001               |
| Sales Drawing         | SD-39501-002, SD-39535-001 |



**EU RoHS**

**RoHS Compliant by Exemption**

**REACH SVHC**

Not Reviewed

**Halogen-Free**

**Status**

**Not Reviewed**

**China RoHS**



**Need more information on product environmental compliance?**

Email [productcompliance@molex.com](mailto:productcompliance@molex.com)  
 For a multiple part number RoHS Certificate of Compliance, [click here](#)

Please visit the [Contact Us](#) section for any non-product compliance questions.

**Search Parts in this Series**

[39535Series](#)

**Mates With**

Most 5.08mm (.200") Pitch Industry Standard Plugs, [39534](#) Horizontal Plug with Retention Screws, [39537](#) Vertical Plug with Retention Screws

3950X SERIES  
3.50mm HEADERS



3952X & 3954X SERIES  
5.00mm HEADERS  
5.00mm 10 AMP FIXED



3953X SERIES  
5.08mm HEADERS



3951X SERIES  
3.81mm HEADERS



3954X SERIES  
5.00mm 15 AMP FIXED



3954X SERIES  
5.08mm 15 AMP FIXED



NOTES:

- REFER TO INDIVIDUAL PRODUCT SALES DRAWINGS FOR "B" DIMENSION.
- DOES NOT APPLY TO DUAL LEVEL HEADERS, SERIES 39528 AND 39538.
- TYP. = TYPICAL.

|                 |                     |
|-----------------|---------------------|
| INITIAL RELEASE | EC NO: ETC2007-0096 |
| DRWN: CLYORK    | 2006/10/02          |
| CHKD: JMACNEIL  | 2006/10/04          |
| APPR: JMACNEIL  | 2006/10/04          |
| REV             | DESCRIPTION         |
| A               |                     |

|                 |
|-----------------|
| QUALITY SYMBOLS |
| ▽=0             |
| ▽=0             |

|  |             |
|--|-------------|
| GENERAL TOLERANCES (UNLESS SPECIFIED)                |             |
|  | mm INCH     |
| 4 PLACES   | ±.005 ±.002 |
| 3 PLACES   | ±.005 ±.005 |
| 2 PLACES   | ±0.13 ±.01  |
| 1 PLACE  | ±0.3 ±.01   |
| ANGULAR ± 2 °  |             |
| DRAFT WHERE APPLICABLE MUST REMAIN WITHIN DIMENSIONS |             |

|                 |            |
|-----------------|------------|
| DIMENSION STYLE |            |
| MM/IN           |            |
| DRAWN BY        | DATE       |
| C. YORK         | 2006/08/25 |
| CHECKED BY      | DATE       |
| J. MACNEIL      | 2006/08/25 |
| APPROVED BY     | DATE       |
| J. MACNEIL      | 2006/08/25 |
| MATERIAL NO.    |            |
| --              |            |

|   |              |                        |
|---|--------------|------------------------|
| SCALE   | DESIGN UNITS | THIRD ANGLE PROJECTION |
| 3:1   | INCH         |                        |
| TITLE   |              |                        |
| RECOMMENDED PCB LAYOUT FOR ESE TERMINAL BLOCKS  |              |                        |
| MOLEX INCORPORATED  |              |                        |
| DOCUMENT NO.  | SHEET NO.    |                        |
| SD-39501-002  | 1 OF 1       |                        |
| THIS DRAWING CONTAINS INFORMATION THAT IS PROPRIETARY TO MOLEX INCORPORATED AND SHOULD NOT BE USED WITHOUT WRITTEN PERMISSION |              |                        |

10 9 8 7 6 5 4 3 2 1

F

E

D

C

B

A

F

E

D

C

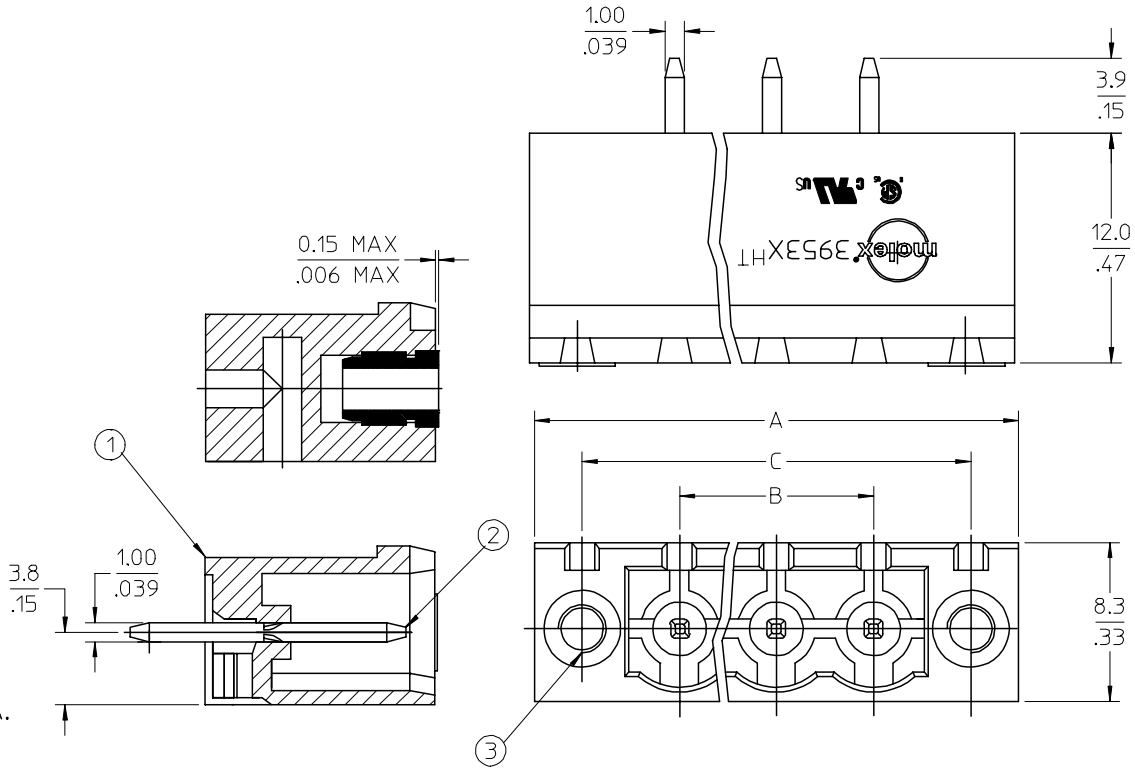
B

A

**SPECIFICATIONS:**

**1. Material:**

- (1). Body: PA46
  - (2). Pin: Brass
  - (3). Threaded insert: Brass
2. Wire range: N/A
  3. Electrical rating: 300V, 15A.
  4. Wire strip length: N/A
  5. Operating temperature: -40C to +140C.
  6. Max torque: N/A
  7. Insulation resistance: DC 500V, 500M.
  8. Dielectric withstand: AC 2500V for 1 minute.
  9. Breakdown voltage: 4000V.
  10.  $A = (B + 15.24\text{mm})$
  11.  $B = (N - 1) \times P$
  13.  $C = (B + 10.16\text{mm})$
  12.  $P$  (PITCH) = 5.08mm (.200").
  13.  $N$  = Number of positions available 2 through 24.



|   |                               |                                       |  |                          |  |                     |  |                        |  |  |
|---|-------------------------------|---------------------------------------|--|--------------------------|--|---------------------|--|------------------------|--|--|
| ENTER DESCRIPTION<br>EC NO: NEC2006-0310<br>DRWN: LROTHAUS 2006/01/09<br>CHKD: CYORK 2006/01/09<br>APPR: JPAMLCK 2006/01/10 | QUALITY SYMBOLS<br>▽=0<br>▽=0 | GENERAL TOLERANCES (UNLESS SPECIFIED) |  | DIMENSION STYLE<br>MM/IN |  | SCALE<br>4:1        | DESIGN UNITS<br>INCH   | THIRD ANGLE PROJECTION |  |  |
|   |                               |                                       | mm   | INCH                     | DRAWN BY<br>LROTHAUS   | DATE<br>12/6/05     | TITLE<br>5.08MM, EURO HEADER,<br>VERTICAL, HI-TEMP<br>MOUNTING |                        |  |  |
|   |                               | 4 PLACES                              | ± ---  | ± .0015                  | CHECKED BY<br>C. YORK  | DATE<br>01/06/06    |  |                        |  |  |
|   |                               | 3 PLACES                              | ± 0.038  | ± .005                   | APPROVED BY  | DATE                | MOLEX INCORPORATED   |                        |  |  |
| 2 PLACES  | ± 0.13                        | ± .01                                 | MATERIAL NO.<br>SEE CHART                                  |                          | DOCUMENT NO.<br>SD-39535-001   | SHEET NO.<br>1 OF 1 |  |                        |  |  |
| 1 PLACE   | ± 0.3                         | ± ---                                 | DRAFT WHERE APPLICABLE<br>MUST REMAIN<br>WITHIN DIMENSIONS |                          | THIS DRAWING CONTAINS INFORMATION THAT IS PROPRIETARY TO MOLEX<br>INCORPORATED AND SHOULD NOT BE USED WITHOUT WRITTEN PERMISSION |                     |  |                        |  |  |
| ANGULAR ± 2 °   |                               |                                       |  |                          |  |                     |  |                        |  |  |

9 8 7 6 5 4 3 2 1

| Description   | Circuit size | Material Numbers |           |           |                  |           |           |                  |           |           |                  |           | Dimensional Information  |           |        |       |        |       |        |       |
|---|--------------|------------------|-----------|-----------|------------------|-----------|-----------|------------------|-----------|-----------|------------------|-----------|--|-----------|--------|-------|--------|-------|--------|-------|
|   |              | Black            |           |           |                  |           |           | Green            |           |           |                  |           | Dim. A    Dim. B    Dim. C<br>mm    inch    mm    inch    mm    inch |           |        |       |        |       |        |       |
|   |              | 100% Tin         |           |           | 30 u" Gold       |           |           | 100% Tin         |           |           | 30 u" Gold       |           |  |           |        |       |        |       |        |       |
|   |              | Printing Options |           |           | Printing Options |           |           | Printing Options |           |           | Printing Options |           |  |           |        |       |        |       |        |       |
|   | None         | 10AV             | 11AV      | None      | 10AV             | 11AV      | None      | 10AV             | 11AV      | None      | 10AV             | 11AV      |  |           |        |       |        |       |        |       |
| 5.08mm, Euro Header, Vertical, Mounting Ends, High Temp | 2            | 395354002        | 395354302 | 395354402 | 395354502        | 395354802 | 395354902 | 395359002        | 395359302 | 395359402 | 395359502        | 395359602 | 395359802  | 395359902 | 20.32  | 0.800 | 5.08   | 0.200 | 15.24  | 0.600 |
| 5.08mm, Euro Header, Vertical, Mounting Ends, High Temp | 3            | 395354003        | 395354303 | 395354403 | 395354503        | 395354803 | 395354903 | 395359003        | 395359303 | 395359403 | 395359503        | 395359603 | 395359803  | 395359903 | 25.40  | 1.000 | 10.16  | 0.400 | 20.32  | 0.800 |
| 5.08mm, Euro Header, Vertical, Mounting Ends, High Temp | 4            | 395354004        | 395354304 | 395354404 | 395354504        | 395354804 | 395354904 | 395359004        | 395359304 | 395359404 | 395359504        | 395359604 | 395359804  | 395359904 | 30.48  | 1.200 | 15.24  | 0.600 | 25.40  | 1.000 |
| 5.08mm, Euro Header, Vertical, Mounting Ends, High Temp | 5            | 395354005        | 395354305 | 395354405 | 395354505        | 395354805 | 395354905 | 395359005        | 395359305 | 395359405 | 395359505        | 395359605 | 395359805  | 395359905 | 35.56  | 1.400 | 20.32  | 0.800 | 30.48  | 1.200 |
| 5.08mm, Euro Header, Vertical, Mounting Ends, High Temp | 6            | 395354006        | 395354306 | 395354406 | 395354506        | 395354806 | 395354906 | 395359006        | 395359306 | 395359406 | 395359506        | 395359606 | 395359806  | 395359906 | 40.64  | 1.600 | 25.40  | 1.000 | 35.56  | 1.400 |
| 5.08mm, Euro Header, Vertical, Mounting Ends, High Temp | 7            | 395354007        | 395354307 | 395354407 | 395354507        | 395354807 | 395354907 | 395359007        | 395359307 | 395359407 | 395359507        | 395359607 | 395359807  | 395359907 | 45.72  | 1.800 | 30.48  | 1.200 | 40.64  | 1.600 |
| 5.08mm, Euro Header, Vertical, Mounting Ends, High Temp | 8            | 395354008        | 395354308 | 395354408 | 395354508        | 395354808 | 395354908 | 395359008        | 395359308 | 395359408 | 395359508        | 395359608 | 395359808  | 395359908 | 50.80  | 2.000 | 35.56  | 1.400 | 45.72  | 1.800 |
| 5.08mm, Euro Header, Vertical, Mounting Ends, High Temp | 9            | 395354009        | 395354309 | 395354409 | 395354509        | 395354809 | 395354909 | 395359009        | 395359309 | 395359409 | 395359509        | 395359609 | 395359809  | 395359909 | 55.88  | 2.200 | 40.64  | 1.600 | 50.80  | 2.000 |
| 5.08mm, Euro Header, Vertical, Mounting Ends, High Temp | 10           | 395354010        | 395354310 | 395354410 | 395354510        | 395354810 | 395354910 | 395359010        | 395359310 | 395359410 | 395359510        | 395359610 | 395359810  | 395359910 | 60.96  | 2.400 | 45.72  | 1.800 | 55.88  | 2.200 |
| 5.08mm, Euro Header, Vertical, Mounting Ends, High Temp | 11           | 395354011        | 395354311 | 395354411 | 395354511        | 395354811 | 395354911 | 395359011        | 395359311 | 395359411 | 395359511        | 395359611 | 395359811  | 395359911 | 66.04  | 2.600 | 50.80  | 2.000 | 60.96  | 2.400 |
| 5.08mm, Euro Header, Vertical, Mounting Ends, High Temp | 12           | 395354012        | 395354312 | 395354412 | 395354512        | 395354812 | 395354912 | 395359012        | 395359312 | 395359412 | 395359512        | 395359612 | 395359812  | 395359912 | 71.12  | 2.800 | 55.88  | 2.200 | 66.04  | 2.600 |
| 5.08mm, Euro Header, Vertical, Mounting Ends, High Temp | 13           | 395354013        | 395354313 | 395354413 | 395354513        | 395354813 | 395354913 | 395359013        | 395359313 | 395359413 | 395359513        | 395359613 | 395359813  | 395359913 | 76.20  | 3.000 | 60.96  | 2.400 | 71.12  | 2.800 |
| 5.08mm, Euro Header, Vertical, Mounting Ends, High Temp | 14           | 395354014        | 395354314 | 395354414 | 395354514        | 395354814 | 395354914 | 395359014        | 395359314 | 395359414 | 395359514        | 395359614 | 395359814  | 395359914 | 81.28  | 3.200 | 66.04  | 2.600 | 76.20  | 3.000 |
| 5.08mm, Euro Header, Vertical, Mounting Ends, High Temp | 15           | 395354015        | 395354315 | 395354415 | 395354515        | 395354815 | 395354915 | 395359015        | 395359315 | 395359415 | 395359515        | 395359615 | 395359815  | 395359915 | 86.36  | 3.400 | 71.12  | 2.800 | 81.28  | 3.200 |
| 5.08mm, Euro Header, Vertical, Mounting Ends, High Temp | 16           | 395354016        | 395354316 | 395354416 | 395354516        | 395354816 | 395354916 | 395359016        | 395359316 | 395359416 | 395359516        | 395359616 | 395359816  | 395359916 | 91.44  | 3.600 | 76.20  | 3.000 | 86.36  | 3.400 |
| 5.08mm, Euro Header, Vertical, Mounting Ends, High Temp | 17           | 395354017        | 395354317 | 395354417 | 395354517        | 395354817 | 395354917 | 395359017        | 395359317 | 395359417 | 395359517        | 395359617 | 395359817  | 395359917 | 96.52  | 3.800 | 81.28  | 3.200 | 91.44  | 3.600 |
| 5.08mm, Euro Header, Vertical, Mounting Ends, High Temp | 18           | 395354018        | 395354318 | 395354418 | 395354518        | 395354818 | 395354918 | 395359018        | 395359318 | 395359418 | 395359518        | 395359618 | 395359818  | 395359918 | 101.60 | 4.000 | 86.36  | 3.400 | 96.52  | 3.800 |
| 5.08mm, Euro Header, Vertical, Mounting Ends, High Temp | 19           | 395354019        | 395354319 | 395354419 | 395354519        | 395354819 | 395354919 | 395359019        | 395359319 | 395359419 | 395359519        | 395359619 | 395359819  | 395359919 | 106.68 | 4.200 | 91.44  | 3.600 | 101.60 | 4.000 |
| 5.08mm, Euro Header, Vertical, Mounting Ends, High Temp | 20           | 395354020        | 395354320 | 395354420 | 395354520        | 395354820 | 395354920 | 395359020        | 395359320 | 395359420 | 395359520        | 395359620 | 395359820  | 395359920 | 111.76 | 4.400 | 96.52  | 3.800 | 106.68 | 4.200 |
| 5.08mm, Euro Header, Vertical, Mounting Ends, High Temp | 21           | 395354021        | 395354321 | 395354421 | 395354521        | 395354821 | 395354921 | 395359021        | 395359321 | 395359421 | 395359521        | 395359621 | 395359821  | 395359921 | 116.84 | 4.600 | 101.60 | 4.000 | 111.76 | 4.400 |
| 5.08mm, Euro Header, Vertical, Mounting Ends, High Temp | 22           | 395354022        | 395354322 | 395354422 | 395354522        | 395354822 | 395354922 | 395359022        | 395359322 | 395359422 | 395359522        | 395359622 | 395359822  | 395359922 | 121.92 | 4.800 | 106.68 | 4.200 | 116.84 | 4.600 |
| 5.08mm, Euro Header, Vertical, Mounting Ends, High Temp | 23           | 395354023        | 395354323 | 395354423 | 395354523        | 395354823 | 395354923 | 395359023        | 395359323 | 395359423 | 395359523        | 395359623 | 395359823  | 395359923 | 127.00 | 5.000 | 111.76 | 4.400 | 121.92 | 4.800 |
| 5.08mm, Euro Header, Vertical, Mounting Ends, High Temp | 24           | 395354024        | 395354324 | 395354424 | 395354524        | 395354824 | 395354924 | 395359024        | 395359324 | 395359424 | 395359524        | 395359624 | 395359824  | 395359924 | 132.08 | 5.200 | 116.84 | 4.600 | 127.00 | 5.000 |

|   |   |   |  |  |  |  |
|---|---|---|--|--|--|--|
| SEE SHEET 1<br>EC NO: NEC2006-0310<br>DRWNL: LROTHAUS 2006/01/09<br>CHKDC: CYORK 2006/01/09<br>APPR: JPANL: CK 2006/01/10 | QUALITY SYMBOLS<br>▽=0<br>▽=0   | GENERAL TOLERANCES (UNLESS SPECIFIED)<br>mm    INCH<br>4 PLACES ± --- ±.0015<br>3 PLACES ± 0.038 ±.005<br>2 PLACES ± 0.13 ±.01<br>1 PLACE ± 0.3 ± --- | DIMENSION STYLE<br>MM/IN<br>DRAWN BY    DATE<br>LROTHAUS    12/16/05<br>CHECKED BY    DATE<br>C. YORK    01/05/06<br>APPROVED BY    DATE | SCALE<br>4:1<br>DESIGN UNITS<br>INCH<br>THIRD ANGLE PROJECTION | TITLE<br>5.08MM, EURO HEADER, VERTICAL, HI-TEMP MOUNTING |  |
|   | MATERIAL NO.<br>SEE CHART   | DOCUMENT NO.<br>SD-39535-001  | SHEET NO.<br>2 OF 2  |  |  |  |
|   | DRAFT WHERE APPLICABLE MUST REMAIN WITHIN DIMENSIONS  |   |  | MOLEX INCORPORATED   |  |  |
|   | THIS DRAWING CONTAINS INFORMATION THAT IS PROPRIETARY TO MOLEX INCORPORATED AND SHOULD NOT BE USED WITHOUT WRITTEN PERMISSION |   |  |  |  |  |