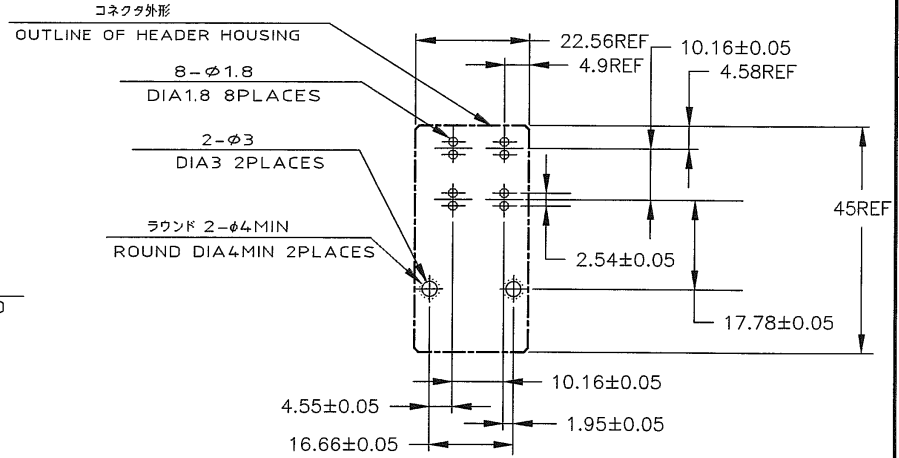
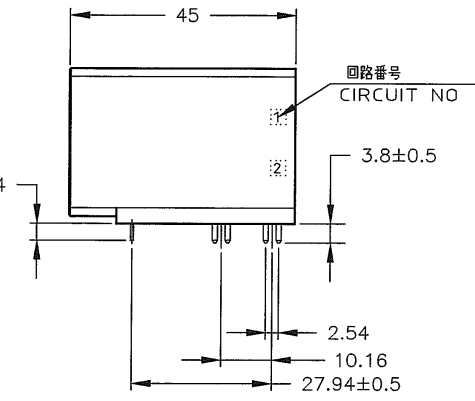
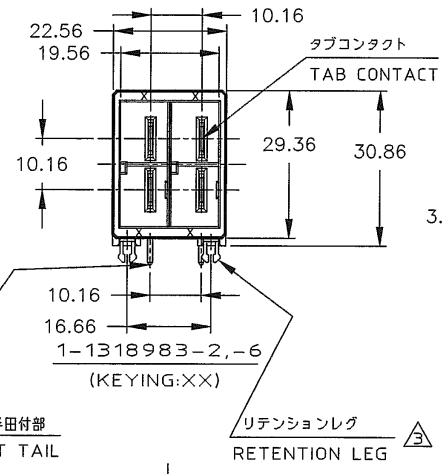
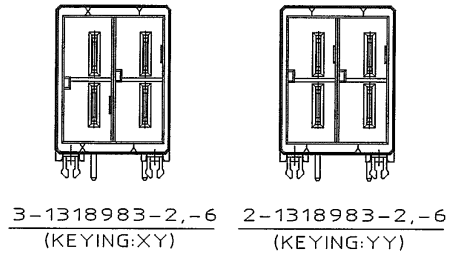
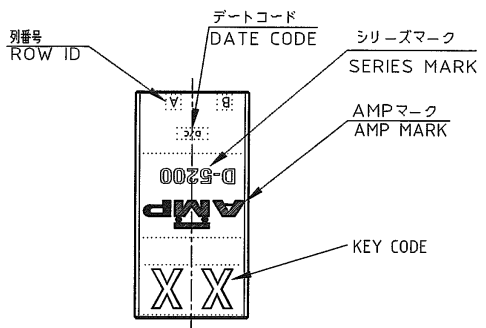


THIS DRAWING IS UNPUBLISHED. RELEASED FOR PUBLICATION .1997 .
 (C) COPYRIGHT 1997 BY AMP INCORPORATED. ALL RIGHTS RESERVED.

LOC		DIST		REVISIONS				
P	LTR	DESCRIPTION		ECN	DATE	DWN	APVD	
	0	PROPOSED		FJ00-0887-99	10.FEB'00	K.I	Y.K	
	A	REVISED		FJ00-0491-01	13.MAR'01	T.S	S.M	
	B	REVISED		FJ00-0791-01	19.MAY'01	T.S	S.M	
	B1	REVISED		FJD0-0357-03	31.OCT'03	T.S	S.M	
	C	REVISED		FJD0-0171-04	12May'04	T.S	DM	



推奨基板取付け寸法 (公差: ±0.05)
 PC 基板厚: 1.6~2.4 ±0.1
 (コネクタ搭載面)
 RECOMENDED PC BOARD HOLE PATTERN (TOL:
 PC BOARD THICKNESS: 1.6~2.4±0.1 ±0.05)
 (CONNECTOR MOUNT SIDE)

NOTES

- MATERIAL: HOUSING: GLASS FILED THERMO PLASTIC, POLYESTER(94V-0), COLOR: BLACK
 TAB CONTACT: COPPER ALLOY
 RETENTION LEG: BRASS
- FINISH (CONTACT AREA): ALL OVER 2.54 μm MIN SILVER PLATING OVER NI PLATING
- FINISH (RETENTION LEG): TIN-LEAD PLATED OVER NICKEL. (CONTACT TAIL)
- FINISH (CONTACT AREA): 0.38 μm Min GOLD PLATING OVER NICKEL.

注記

- 材料: ハウジングガラス入り熱可塑性ポリエステル樹脂 (94V-0), 色: 黒
 タブコンタクト: 銅合金
 リテンションレグ: 黄銅
- めっき: コンタクト: Ni 下地のの上に 2.54 μm MIN 全面銀めっき
- めっき: リテンションレグとコンタクト半田付部: ニッケル下地のの上にスズめっき
- めっき: コンタクト: Ni 下地
 接触部: 0.38 μm Min 金メッキ

XY	△4	3-1318983-2
YY	△4	2-1318983-2
XX	△4	1-1318983-2
XY	△2	3-1318983-6
YY	△2	2-1318983-6
XX	△2	1-1318983-6
KEY TYPE	コンタクトのめっき (FINISH)	製品番号 (PART NO.)

THIS DRAWING IS A CONTROLLED DOCUMENT FOR AMP INCORPORATED. IT IS SUBJECT TO CHANGE AND THE CONTROLLING ENGINEERING ORGANIZATION SHOULD BE CONTACTED FOR THE LATEST REVISION.		DWN K.IKEDA 9/FEB/00	INSULATION DIA 绝缘外径	
DIMENSIONS: 単位 長 mm		CHK Y.KATO 10/FEB/00	Tyco Electronics AMP K.K Kawasaki, Japan	
TOLERANCES UNLESS OTHERWISE SPECIFIED 一般公差 1% . ±0.3 3% . ±0.35 10% . ±0.4 ANGLE . ±3°		APVD I.HASEGAWA 10/FEB/00	NAME 2列 ヘッダーアセンブリー 4P (水平 タイプ) DOUBLE ROW HEADER ASS'Y 4P ("H" TYPE) <DYNAMIC D-5200D>	
MATERIAL 材料		PRODUCT SPEC 製品規格 108-5453	SIZE A3	
FINISH 仕上		APPLICATION SPEC 取付規格番号 114-5206	CAGE CODE 00779	
注記参照 SEE NOTE		WEIGHT	DRAWING NO 1318983	
		CUSTOMER DRAWING	SCALE 1-1	
			SHEET 1 OF 1	
			REV C	