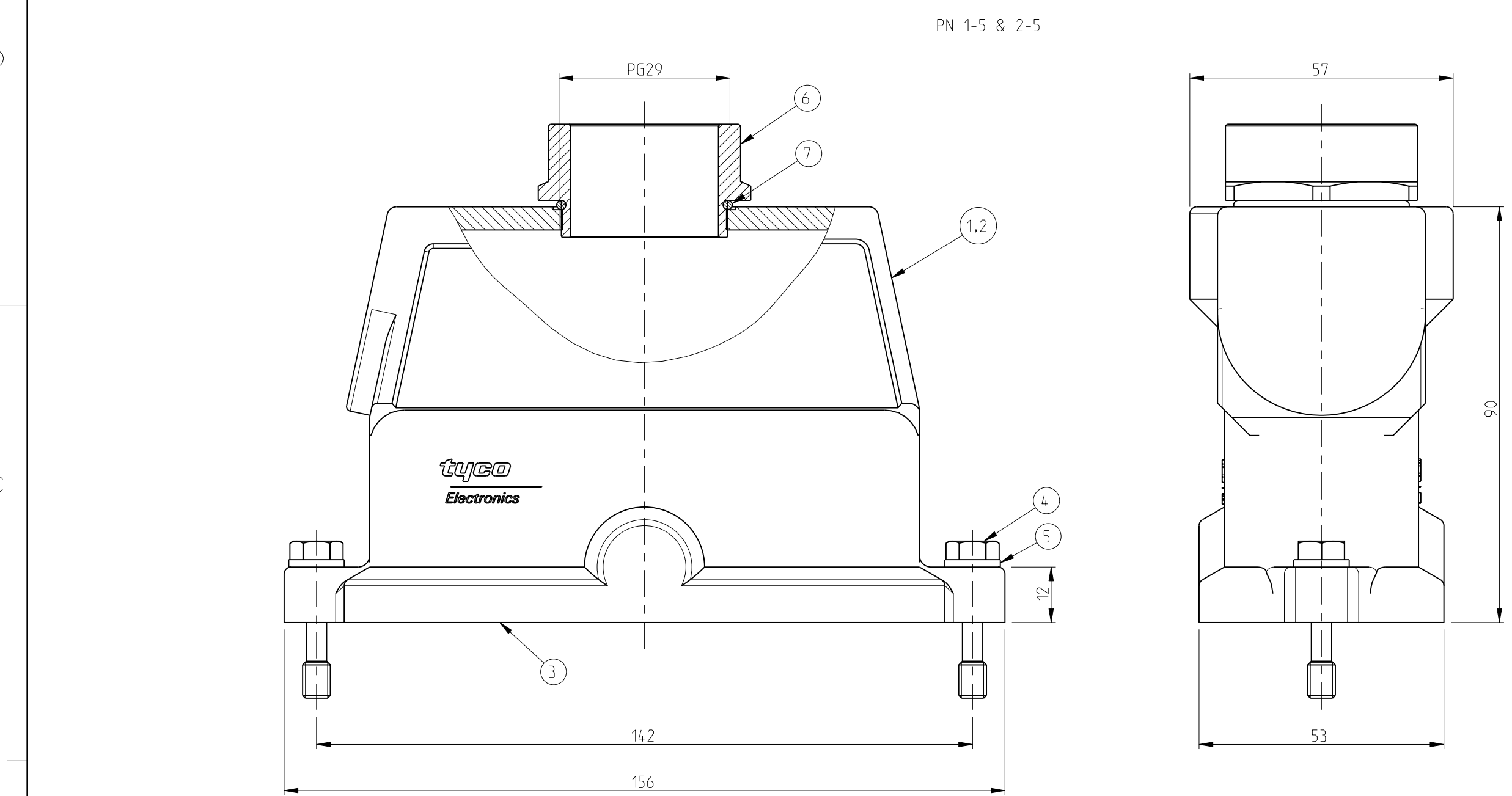
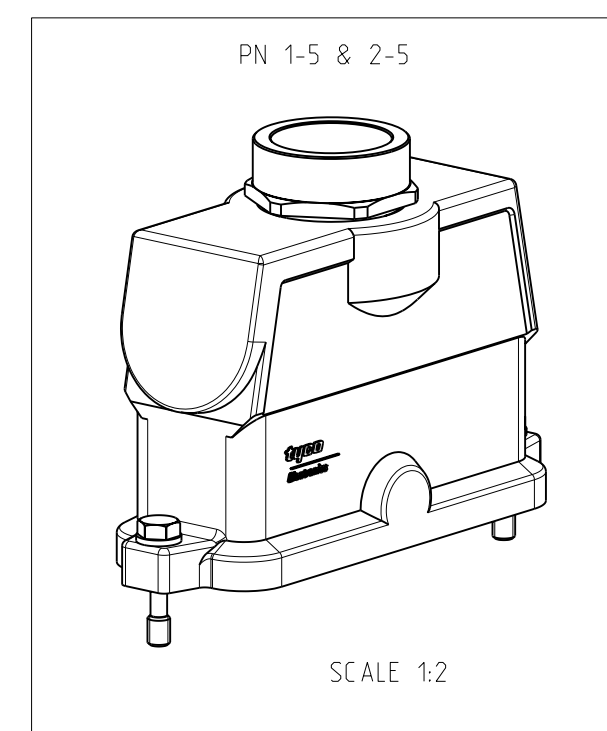


LOC	DIST	REVISIONS			
P	LTR	DESCRIPTION	DATE	DWN	APVD
A2		Released as per ECR-07-030419	17.12.07	SP	TS
A3		REVISED PER ECO-09-027197	1FEB10	KK	HMR



- NOTES
- 1 Material: Housing: Aluminium Diecasting Alloy
Seals: Neoprene
 - 2 Surface:- varnish-grey
Aluminium oxide-
Varnish black
 - 3 Varnish on the inside not necessary
 - 4 Packaging quantity: 5 pieces in a box
 - 5 OBSOLETE PARTS: OBSOLETE CIS STREAMLINING
PER D.RENAUD/D.SINISI



QTY	ITEM NO	DESCRIPTION	MATERIAL	SURFACE	COLOR	ITEM NO	REMARKS
1	1	O-Ring PG29	Neoprene	-	Black	7	
1	1	Adaptor PG29	Brass	Nickel plated		6	
2	2	Spring washer	Stainless steel	Blank		5	
2	2	Fixing screw	Stainless steel	Blank		4	
1	1	O-Ring Bg8	Neoprene	-	Black	3	
1	-	Hood HIP Bg8	Aluminium	Aluminium oxide	Black	2	
-	1	Hood HIP Bg8	Aluminium	-	Grey	1	
2-5	1-5	DESCRIPTION	MATERIAL	SURFACE	COLOR	ITEM NO	REMARKS
ORDERING TEXT							
HIP.24/64.STO.1.29.Z							
HIP-K.24/64.STO.1.29.Z							

THIS DRAWING IS A CONTROLLED DOCUMENT FOR TYCO ELECTRONICS CORPORATION IT IS SUBJECT TO CHANGE AND THE CONTROLLING ENGINEERING ORGANIZATION SHOULD BE CONTACTED FOR THE LATEST REVISION.		DWN Schneider 12.06.01	Tyco Electronics Tyco Electronics Corporation, AMP, GmbH D-53819, Neunkirchen, Germany	
DIMENSIONS: mm		CHK Schweiger 12.06.01	NAME Hood HIP Size8 HIP.24/64.STO.1.29.Z	
TOLERANCES UNLESS OTHERWISE SPECIFIED: 0 PLC ± 1 PLC ± 2 PLC ± 3 PLC ± 4 PLC ± ANGLES ±		APVD -	PRODUCT SPEC 108-74030	
MATERIAL		FINISH	APPLICATION SPEC 114-74017	RESTRICTED TO
		WEIGHT 540 g	SIZE A2	CAGE CODE 00779
		CUSTOMER DRAWING	DRAWING NO C=1102663	SCALE 1:1
			SHEET 1	OF 1
			REV A3	