

PLEASE CHECK WWW.MOLEX.COM FOR LATEST PART INFORMATION

Part Number: [0760485002](#)
Status: **Active**
Overview: [sfp_stacked_multiport_connectors](#)
Description: Small Form-factor Pluggable Plus (SFP+) Stacked 2-by-6 Multi-Port Connector with 2 Inner Lightpipe Ports, EMI Metal Gasket, 240 Circuits, Tin (Sn) Tails

Documents:

[3D Model](#) [Product Specification PS-75310-001 \(PDF\)](#)
[Drawing \(PDF\)](#) [RoHS Certificate of Compliance \(PDF\)](#)
[Application Specification \(PDF\)](#)

Agency Certification

CSA LR19980
 UL E29179

General

Product Family I/O Connectors
 Series [76048](#)
 Application Module-to-Board
 Component Type Receptacle
 Overview [sfp_stacked_multiport_connectors](#)
 Product Name SFP Plus
 Type N/A

Physical

Boot Color N/A
 Circuits (Loaded) 240
 Circuits (maximum) 240
 Circuits Detail 240
 Color - Resin Black, Clear (Blue Tint)
 Durability (mating cycles max) 100
 Flammability 94V-0
 Gender Female
 Keying to Mating Part None
 Lock to Mating Part Yes
 Material - Metal High Performance Alloy (HPA)
 Material - Plating Mating Gold
 Material - Plating Termination Tin
 Material - Resin High Temperature Thermoplastic, Polycarbonate
 Number of Rows 2
 Orientation Right Angle
 PC Tail Length (in) 0.081 In
 PC Tail Length (mm) 2.07 mm
 PCB Locator Yes
 PCB Retention Yes
 PCB Thickness Recommended (in) 0.062 In
 PCB Thickness Recommended (mm) 1.57 mm
 Packaging Type Tray
 Panel Mount No
 Pitch - Mating Interface (in) 0.031 In
 Pitch - Mating Interface (mm) 0.80 mm
 Pitch - Term. Interface (in) 0.031 In
 Pitch - Term. Interface (mm) 0.80 mm
 Plating min: Mating (µin) 30.4
 Plating min: Mating (µm) 0.76
 Plating min: Termination (µin) 30.4



image - Reference only

Series

EU RoHS

ELV and RoHS Compliant

REACH SVHC

Not Reviewed

Halogen-Free

Status

Halogen-Free

Need more information on product environmental compliance?

Email productcompliance@molex.com
 For a multiple part number RoHS Certificate of Compliance, [click here](#)

Please visit the [Contact Us](#) section for any non-product compliance questions.

China RoHS



Search Parts in this Series

[76048Series](#)

Use With

[0759510999](#) SFP Dust Plug,

Application Tooling | FAQ

Tooling specifications and manuals are found by selecting the products below. Crimp Height Specifications are then contained in the Application Tooling Specification document.

Global

Description	Product #
SFP Insertion Tool, x 6	20622029925
SFP Stacked Multi-Port Extraction Tool, 2 by 6	0622029950

Plating min: Termination (µm)	0.76
Polarized to Mating Part	Yes
Polarized to PCB	Yes
Ports	12
Surface Mount Compatible (SMC)	No
Temperature Range - Operating	-40°C to +85°C
Termination Interface: Style	Through Hole - Compliant Pin
Waterproof / Dustproof	No

Electrical

Current - Maximum per Contact	0.5A
Grounding to Panel	None
Shield Type	EMI Gasket
Shielded	Yes
Voltage - Maximum	120V AC (RMS)/DC

Material Info

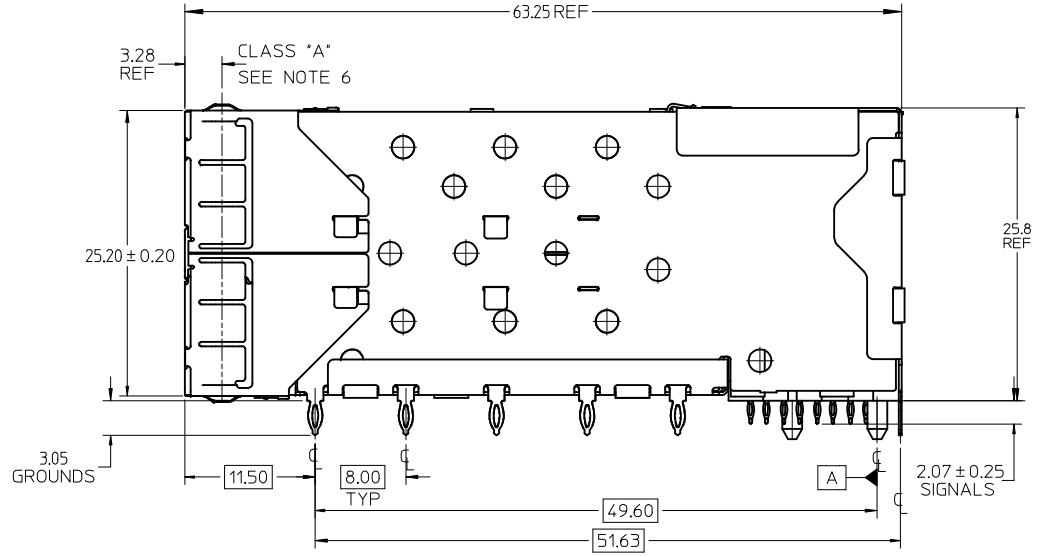
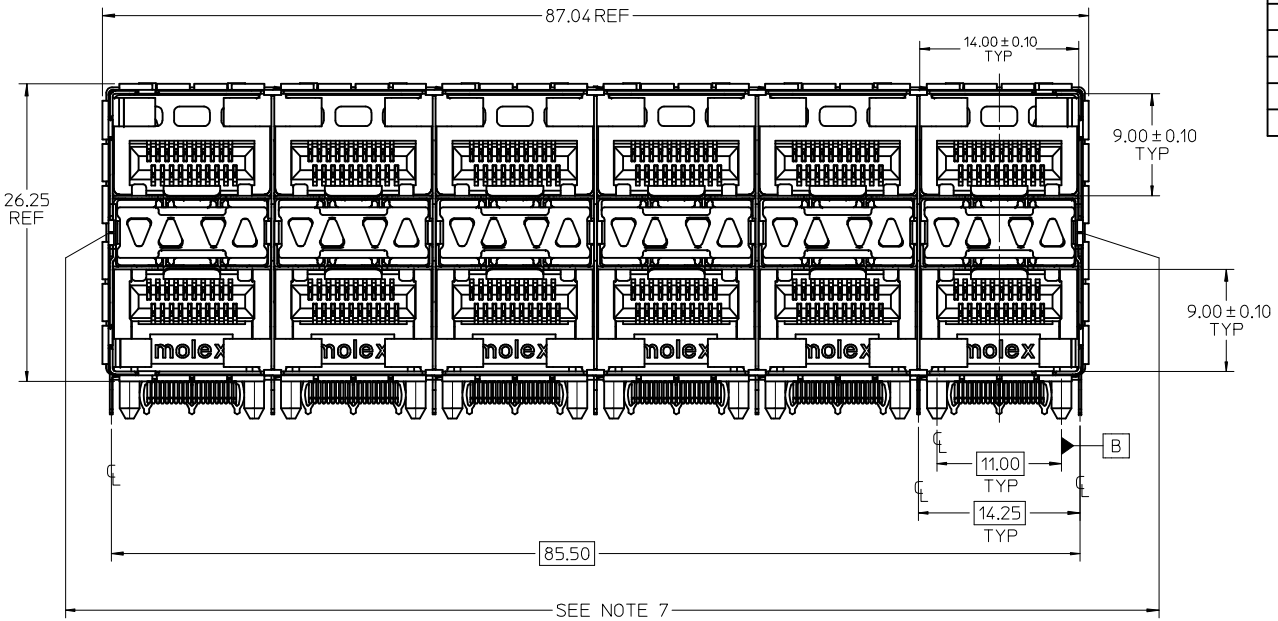
Reference - Drawing Numbers

Packaging Specification	PK-75451-001
Product Specification	PS-75310-001
Sales Drawing	SD-76048-001
Test Summary	TS-75310-001

This document was generated on 05/27/2010

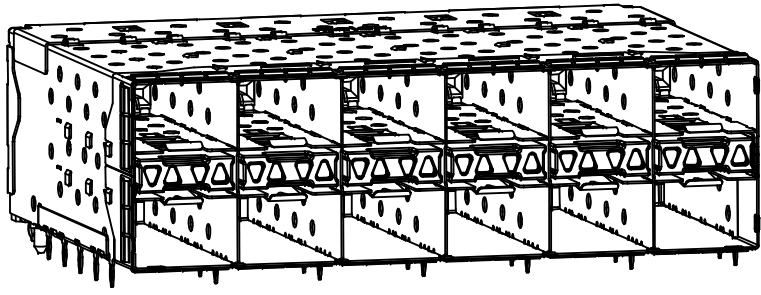
PLEASE CHECK WWW.MOLEX.COM FOR LATEST PART INFORMATION

PART NUMBER	DESCRIPTION	VIEW	COMPLIANT TAIL PLATING
760480001	4 LIGHT PORTS	SEE PG 2	TIN / LEAD
760480002	INNER 2 PORTS	SEE PG 2	TIN / LEAD
760480003	OUTER 2 PORTS	SEE PG 2	TIN / LEAD
760485001	4 LIGHT PORTS	SEE PG 2	TIN
760485002	INNER 2 PORTS	SEE PG 2	TIN
760485003	OUTER 2 PORTS	SEE PG 2	TIN

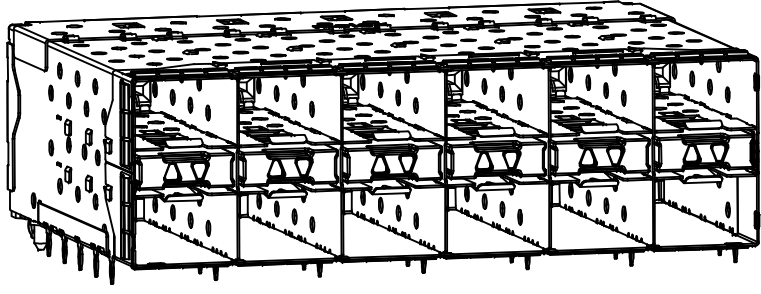


- NOTES:
- MATERIAL:
 - CAGE: NICKEL SILVER, THICKNESS: 0.25mm
 - EMI GASKET: PHOS-BRONZE
 - CONNECTOR HOUSING: GLASS FILLED THERMOPLASTIC, UL: 94 V-0, COLOR: BLACK
 - OVERMOLD TERMINAL HOUSING: GLASS FILLED THERMOPLASTIC, UL: 94 V-0, COLOR: BLACK
 - TERMINALS: BRASS
 - LIGHT PIPE: POLYCARBONATE UL 94 V-0, COLOR CLEAR
 - LIGHT PIPE HOUSING: ZINC
 - FINISH
 - TERMINALS:
 - CONTACT AREA: 0.76 MICRONS MIN. HARD GOLD OVER 1.27 MICRONS MIN. NICKEL.
 - COMPLIANT TAIL - TIN/LEAD OPTION: 0.76 - 1.52 MICRONS 90/10 TIN/LEAD OVER 0.76 - 1.52 MICRONS NICKEL
 - COMPLIANT TAIL - TIN OPTION: 0.76 - 1.52 MICRONS TIN OVER 0.76 - 1.52 MICRONS NICKEL
 - EMI GASKET: 2.54 MICRONS NICKEL OVERALL
 - LIGHT PIPE HOUSING: 150 MICRONS NICKEL OVER 150 MICRONS COPPER
 - REFER TO PS-75310-001 PRODUCT SPEC FOR ALL ELECTRICAL, MECHANICAL AND ENVIRONMENTAL SPECIFICATIONS.
 - LIGHT PIPE PAD LAYOUT IS FOR 0805 LOW-PROFILE LED PACKAGE FOR OTHER RECOMMENDED LAYOUTS REFER TO MOLEX'S REPORT TS-75310-001.
 - REFER TO PK-75451-001 FOR ALL PACKAGING SPECIFICATIONS.
 - ALL EXTERIOR SURFACES TO BE CLASS "B" SURFACES EXCEPT THE UNDER SIDE OF THE CAGE WHERE THE PCB WOULD BE LOCATED AND AS NOTED. THE SURFACES TO CONFORM TO THE MOLEX COSMETIC DOC PS-45499-002.
 - THE OVERALL CAGE WIDTH AT THE VERTICAL CENTER OF THE FRONT EDGE WILL FALL WITHIN THIS DIMENSION: 86.30+/-0.30 MM. THIS PORTION OF THE CAGE WILL FLEX INWARD AS THE CAGE IS BEING INSERTED INTO THE BEZEL OPENING.

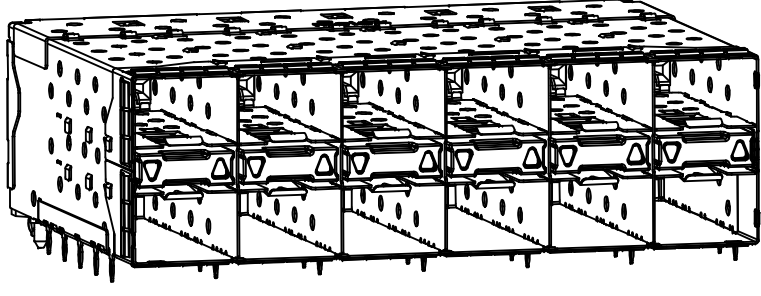
ADD NOTE 7/KEEPOUT'S EC NO: UCP2009-1582 DRWN:MS BARRA 2009/01/07 CHKD:BBARKER 2009/01/09 APPR:SMILLER 2009/01/12	QUALITY SYMBOLS ▽=0 ▽=0	GENERAL TOLERANCES (UNLESS SPECIFIED)		DIMENSION STYLE MM ONLY		SCALE 3:1	DESIGN UNITS METRIC	THIRD ANGLE PROJECTION		
		mm	INCH	DRAWN BY	DATE	STACKED SFP+ 2X6 ASSY WITH METAL EMI GASKET AND LIGHTPIPES				
		4 PLACES ± ---	± ---	MSANDBERG	09/28/2006					
		3 PLACES ± ---	± ---	CHECKED BY	DATE	MOLEX INCORPORATED				
2 PLACES ± 0.13	± ---	JLONG	09/28/2006							
1 PLACE ± 0.25	± ---	APPROVED BY	DATE	MATERIAL NO. SEE TABLE		DOCUMENT NO. SD-76048-001		SHEET NO. 1 OF 4		
DRAFT WHERE APPLICABLE MUST REMAIN WITHIN DIMENSIONS		SIZE C		THIS DRAWING CONTAINS INFORMATION THAT IS PROPRIETARY TO MOLEX INCORPORATED AND SHOULD NOT BE USED WITHOUT WRITTEN PERMISSION						



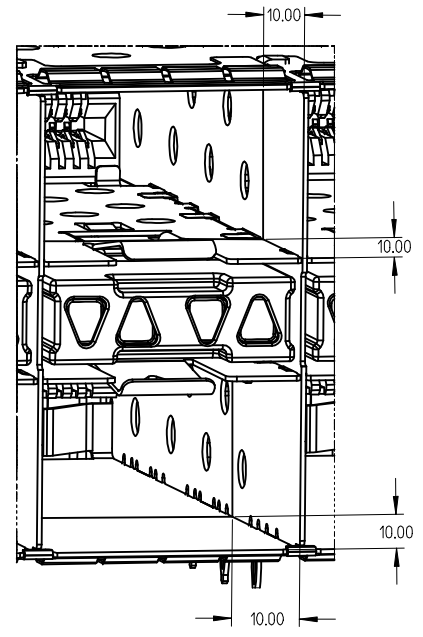
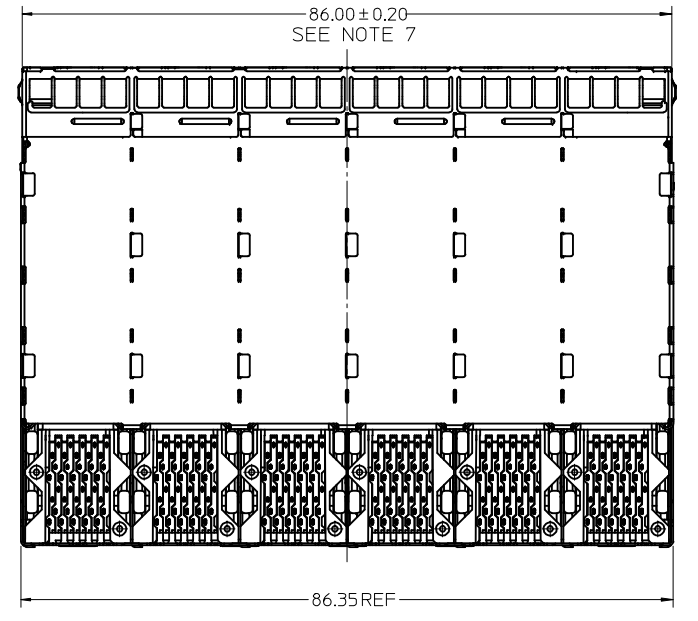
760480001 AND 760485001
WITH INNER AND OUTER LIGHT PIPES



760480002 AND 760485002
WITH INNER LIGHT PIPES

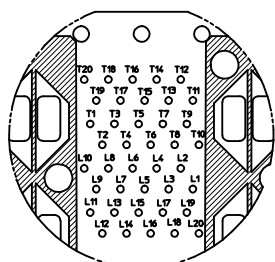


760480003 AND 760485003
WITH OUTER LIGHT PIPES

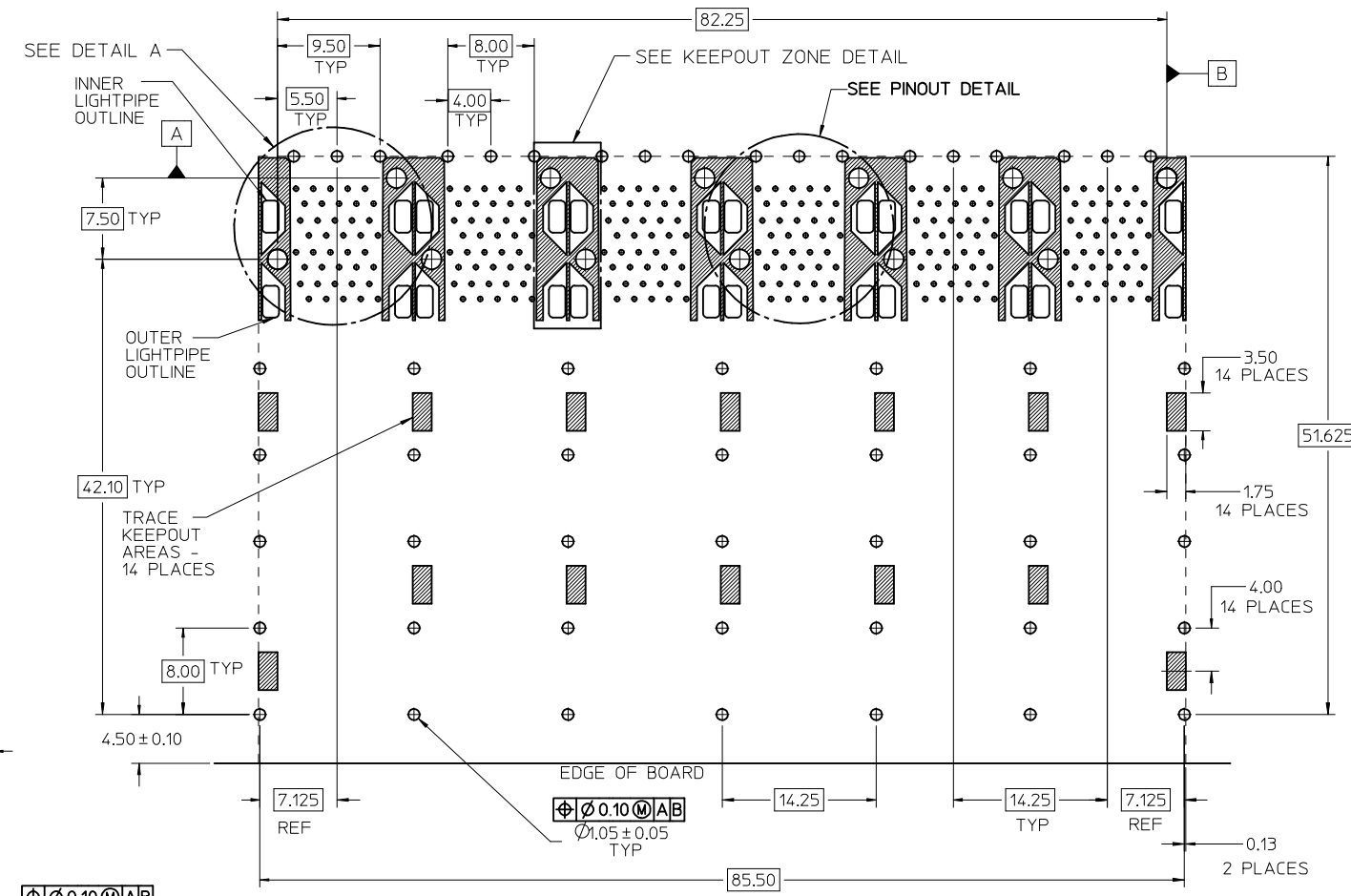


10.00MM AREA SETBACK IN CAGE IS TO BE FREE OF ANY HOLES, DIMPLES, SEAMS OR ANY OTHER FEATURE. (4 SIDES PER PORT)

SEE SHEET 1 EC NO: UCP2009-1582 2009/01/07 DRWINHIS BARRA 2009/01/09 CHKD:BBARKER APPR:SMILLER 2009/01/12	QUALITY SYMBOLS ▽=0 ▽=0	GENERAL TOLERANCES (UNLESS SPECIFIED) <table border="1"> <tr> <th></th> <th>mm</th> <th>INCH</th> </tr> <tr> <td>4 PLACES ±</td> <td>---</td> <td>±---</td> </tr> <tr> <td>3 PLACES ±</td> <td>---</td> <td>±---</td> </tr> <tr> <td>2 PLACES ±</td> <td>0.13</td> <td>±---</td> </tr> <tr> <td>1 PLACE ±</td> <td>0.25</td> <td>±---</td> </tr> </table>		mm	INCH	4 PLACES ±	---	±---	3 PLACES ±	---	±---	2 PLACES ±	0.13	±---	1 PLACE ±	0.25	±---	DIMENSION STYLE MM ONLY DRAWN BY DATE MSANDBERG 09/28/2006 CHECKED BY DATE JLONG 09/28/2006 APPROVED BY DATE KREGNIER 09/28/2006 MATERIAL NO.	SCALE 2:1 DESIGN UNITS METRIC THIRD ANGLE PROJECTION	TITLE STACKED SFP+ 2X6 ASSY WITH METAL EMI GASKET AND LIGHTPIPES MOLEX INCORPORATED DOCUMENT NO. SD-76048-001	SHEET NO. 2 OF 4
		mm	INCH																		
	4 PLACES ±	---	±---																		
	3 PLACES ±	---	±---																		
2 PLACES ±	0.13	±---																			
1 PLACE ±	0.25	±---																			
DRAFT WHERE APPLICABLE MUST REMAIN WITHIN DIMENSIONS	SEE TABLE	THIS DRAWING CONTAINS INFORMATION THAT IS PROPRIETARY TO MOLEX INCORPORATED AND SHOULD NOT BE USED WITHOUT WRITTEN PERMISSION																			

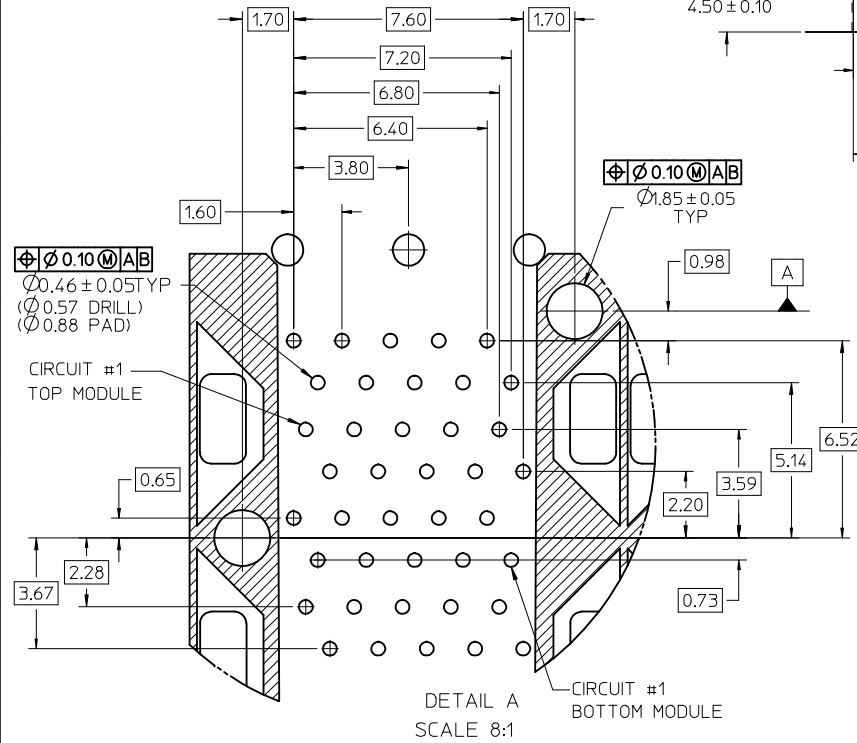


CONNECTOR PIN-OUT DETAIL
COMPONENT SIDE OF BOARD



RECOMMENDED PCB LAYOUT - COMPONENT SIDE
RECOMMENDED PCB THICKNESS - 2.63 MM (.093 INCH)

THE ENTIRE AREA OF THE CONNECTOR FOOTPRINT
TO BE CONSIDERED THE KEEP OUT AREA FOR COMPONENTS
(OTHER THAN LIGHT PIPE LED'S)
THIS AREA IS INDICATED BY THE DASHED LINE



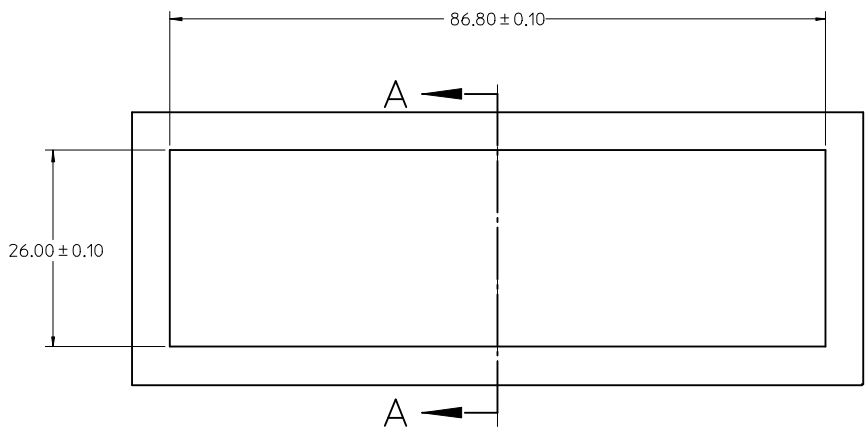
DETAIL A
SCALE 8:1

REV	DESCRIPTION
ADD KEEP OUT ZONES	
EC NO: UCP2009-1582	
DRWN:MS BARRA 2009/01/07	
CHKD:BBARKER 2009/01/09	
APPR:SMILLER 2009/01/12	

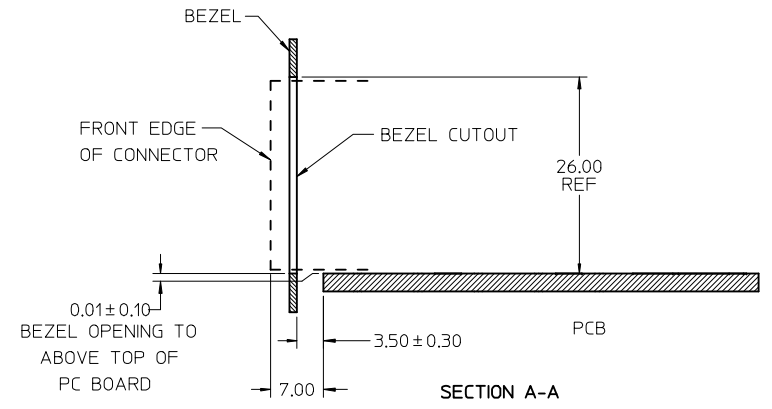
QUALITY SYMBOLS	GENERAL TOLERANCES (UNLESS SPECIFIED)	
	mm	INCH
▽=0	4 PLACES ± ---	± ---
▽=0	3 PLACES ± ---	± ---
	2 PLACES ± 0.13	± ---
	1 PLACE ± 0.25	± ---
	ANGULAR ± 5 °	

DIMENSION STYLE		SCALE	DESIGN UNITS	THIRD ANGLE PROJECTION
MM ONLY		3:1	METRIC	
DRAWN BY	DATE	TITLE		
MSANDBERG	09/28/2006	STACKED SFP+ 2X6 ASSY WITH METAL EMI GASKET AND LIGHTPIPES		
CHECKED BY	DATE	MATERIAL NO.		
JLONG	09/28/2006	SEE TABLE		
APPROVED BY	DATE	DOCUMENT NO.		
KREGNIER	09/28/2006	SD-76048-001		

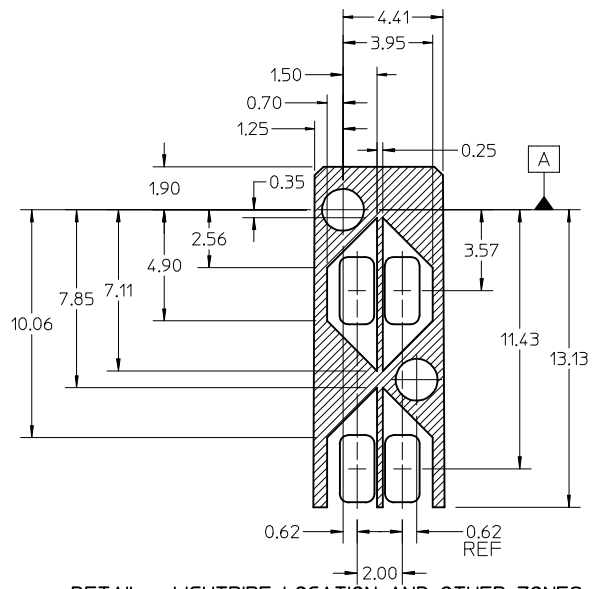
MOLEX INCORPORATED		SHEET NO.
MOLEX INCORPORATED		3 OF 4
DRAFT WHERE APPLICABLE MUST REMAIN WITHIN DIMENSIONS		
THIS DRAWING CONTAINS INFORMATION THAT IS PROPRIETARY TO MOLEX INCORPORATED AND SHOULD NOT BE USED WITHOUT WRITTEN PERMISSION		



BEZEL CUTOUT CENTER SPACING DETAIL
BEZEL THICKNESS 0.8 - 2.6



SECTION A-A



DETAIL - LIGHTPIPE LOCATION AND OTHER ZONES
SCALE 6:1

THE HATCHED AREA IN THIS VIEW INDICATES ZONES THAT ARE OCCUPIED BY THE PLASTIC HOUSING THAT SEATS AGAINST THE PCB AND BY THE VERTICAL METAL CAGE WALL THAT STOPS JUST SHORT OF THE PCB

SEE SHEET 1	EC NO: UCP2009-1582	2009/01/07
	DRWN:MSI BARRA	2009/01/07
	CHKD:BBARKER	2009/01/09
	APPR:SMILLER	2009/01/12
	REV	DESCRIPTION

QUALITY SYMBOLS	▽=0
	▽=0
GENERAL TOLERANCES (UNLESS SPECIFIED)	mm
	INCH
	4 PLACES ± --- ± ---
DRAFT WHERE APPLICABLE MUST REMAIN WITHIN DIMENSIONS	3 PLACES ± --- ± ---
	2 PLACES ± 0.13 ± ---
	1 PLACE ± 0.25 ± ---
ANGULAR ± 5 °	

DIMENSION STYLE		SCALE	DESIGN UNITS	THIRD ANGLE PROJECTION
MM ONLY		2:1	METRIC	☉
DRAWN BY	DATE	TITLE		
MSANDBERG	09/28/2006	STACKED SFP+ 2X6 ASSY WITH METAL EMI GASKET AND LIGHTPIPES		
CHECKED BY	DATE	MOLEX INCORPORATED		
JLONG	09/28/2006	SD-76048-001		
APPROVED BY	DATE	SHEET NO.		
KREGNIER	09/28/2006	4 OF 4		
MATERIAL NO.	SEE TABLE	THIS DRAWING CONTAINS INFORMATION THAT IS PROPRIETARY TO MOLEX INCORPORATED AND SHOULD NOT BE USED WITHOUT WRITTEN PERMISSION		

DRAWN BY		DATE	SCALE	DESIGN UNITS	THIRD ANGLE PROJECTION
MSANDBERG		09/28/2006	2:1	METRIC	☉
CHECKED BY		DATE	TITLE		
JLONG		09/28/2006	STACKED SFP+ 2X6 ASSY WITH METAL EMI GASKET AND LIGHTPIPES		
APPROVED BY		DATE	MOLEX INCORPORATED		
KREGNIER		09/28/2006	SD-76048-001		
MATERIAL NO.		SEE TABLE	SHEET NO.		
			4 OF 4		