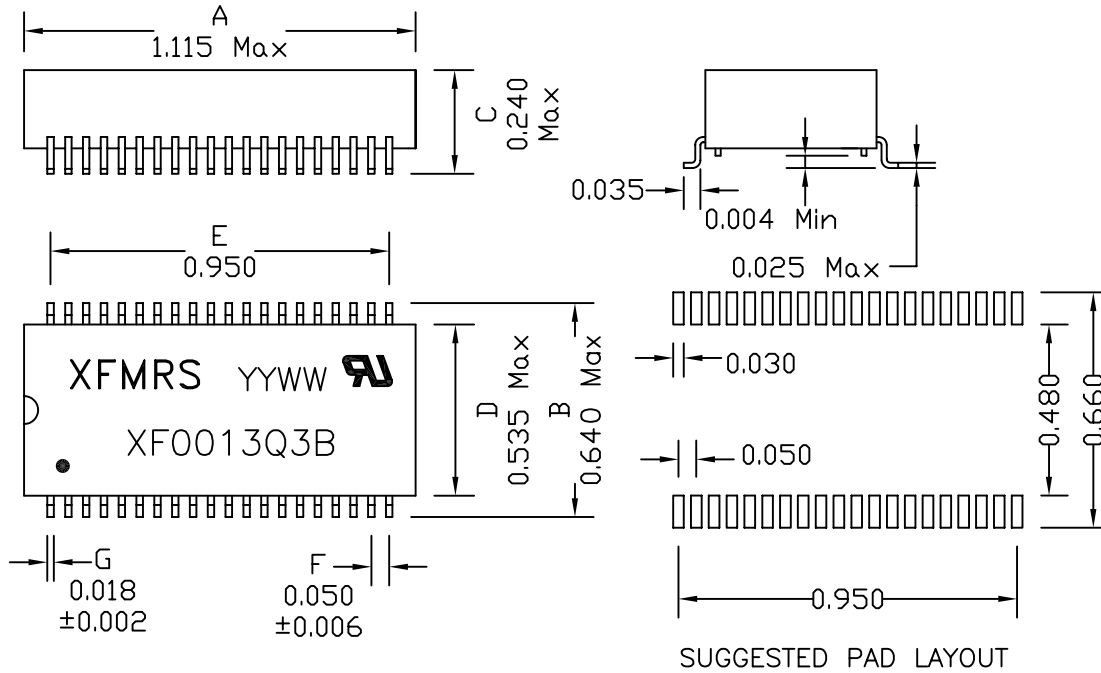
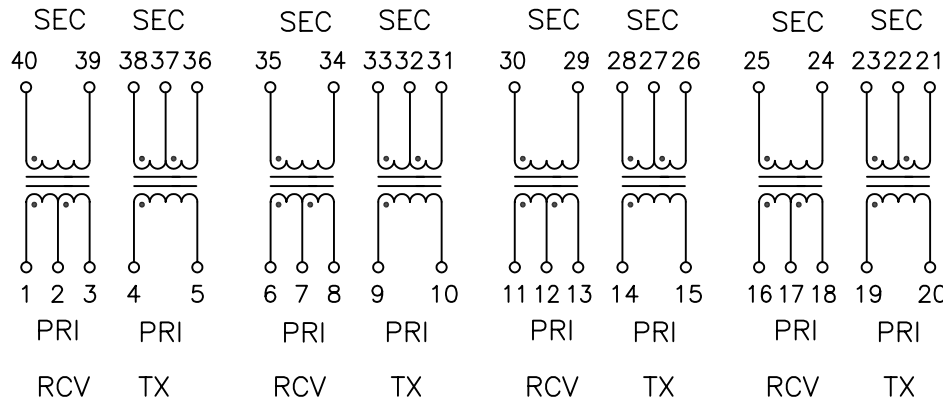


1. Mechanical Dimensions:



2. Schematic:



DOC REV: A/9

3. Electrical Specifications: @25°C

Isolation: 1500Vrms, PRI to SEC
 TX TURNS RATIO: 1:2CT±2% (PRI:SEC)
 RCV TURNS RATIO: 1CT:2±2% (PRI:SEC)
 TX PRI OCL: 1.50mH Typ @100KHz 50mV
 RCV PRI OCL: 1.50mH Typ @100KHz 50mV
 CW/W: 35pF Max @100KHz 50mV, (PRI/SEC)
 CROSSTALK: 60dB Typ @1MHz to 5MHz
 PRI LL: 0.6uH Max @100KHz 50mV, Short SEC
 PRI Q: 8 Min @10KHz 50mV

Notes:

1. Solderability: Leads shall meet MIL-STD-202G, Method 208H for solderability.
2. Flammability: UL94V-0
3. ASTM oxygen index: > 28%
4. Insulation System: Class F 155°C. UL file E151556
5. Operating Temperature Range: All listed parameters are to be within tolerance from -40°C to +85°C
6. Storage Temperature Range: -55°C to +125°C
7. Aqueous wash compatible
8. SMD Lead Coplanarity: ±0.004"(0.102mm)
9. Electrical and mechanical specifications 100% tested
10. RoHS Compliant Component
11. UL recognized component, file E165866.

XFMRS Inc www.XFMRS.com	Title: T1/E1/CEPT QUAD PORT			
	UNLESS OTHERWISE SPECIFIED	P/N: XF0013Q3B	REV. A	
TOLERANCES: .xxx ±0.010	DWN.	Xianyi	Jul-04-09	
Dimensions in INCH	CHK.	YK Liao	Jun-04-09	
SHEET 1 OF 1	APP.	BW	Jun-04-09	