



**PE91032**

Precision N Male to 7/16 DIN Female Adapter Low PIM,  
Low VSWR

**N Male to 7/16 DIN Female Low PIM, Low VSWR Precision Adapters**

- PIM levels <-165 dBc
- Low VSWR levels up to 8 GHz.
- Tri-metal Albaloy coating
  - durable surface with good corrosion protection
  - abrasion resistance
  - superior electrical contact properties.
- Available in various connector combinations
  - 7/16 DIN in-series
  - Type N in-series
  - 7/16 DIN to Type N and SMA in-between series
- 4-hole flange and bulkhead-mounted styles available
- Ideal choice for use in portable PIM testing

**Configuration**

Connector 1	N Male
Connector 2	7/16 DIN Female
Adapter Design	Precision
Body Style	Straight

**Electrical Specifications**

Frequency Range (GHz)	DC to 8
Impedance (Ohms)	50
VSWR, Max	1.222:1
Dielectric Withstanding Voltage (Vrms)	1000
Passive Intermodulation ((<-) dBc @ 2 x 20 Watts)	-165

**Frequency 1**

Frequency (GHz)	DC to 1
VSWR	1.032:1
Return Loss (dB)	36

**Frequency 2**

Frequency (GHz)	1 to 4
VSWR	1.119:1
Return Loss (dB)	25

**Frequency 3**

Frequency (GHz)	4 to 8
VSWR	1.222:1
Return Loss (dB)	20

Click the following link for the additional product information:  
[Precision N Male to 7/16 DIN Female Adapter Low PIM, Low VSWR PE91032](#)

Version C - Revision - © 2011 Pasternack Enterprises All Rights Reserved.



**PE91032**

Precision N Male to 7/16 DIN Female Adapter Low PIM,  
Low VSWR

**Mechanical Specifications**

Temperature Operating Range (deg C)	-55 to +155
Weight (lbs)	0.19
Length (inches)	1.64
Width/Dia. (inches)	1.142
Dielectric Type	PTFE

**Connector 1**

Hex Size (mm)	21
Torque (in-lb)	15
Mating Cycles	500
Inner Conductor Material and Plating	Brass, Silver, 5µm
Outer Conductor Material and Plating	Brass, Tri Metal – Albaloy, 2.54µm
Coupling Nut Material and Plating	Brass, Tri Metal – Albaloy, 2.54µm

**N Male**

Hex Size (mm)	21
Torque (in-lb)	15
Mating Cycles	500
Inner Conductor Material and Plating	Brass, Silver, 5µm
Outer Conductor Material and Plating	Brass, Tri Metal – Albaloy, 2.54µm
Coupling Nut Material and Plating	Brass, Tri Metal – Albaloy, 2.54µm

**Connector 2**

Mating Cycles	500
Inner Conductor Material and Plating	Beryllium Copper, Silver, 5µm
Outer Conductor Material and Plating	Brass, Tri Metal – Albaloy, 2.54µm

**7/16 DIN Female**

Mating Cycles	500
Inner Conductor Material and Plating	Beryllium Copper, Silver, 5µm
Outer Conductor Material and Plating	Brass, Tri Metal – Albaloy, 2.54µm

**Compliance Certifications** (visit [www.Pasternack.com](http://www.Pasternack.com) for current document)

RoHS Compliant	Yes, by exemption
----------------	-------------------

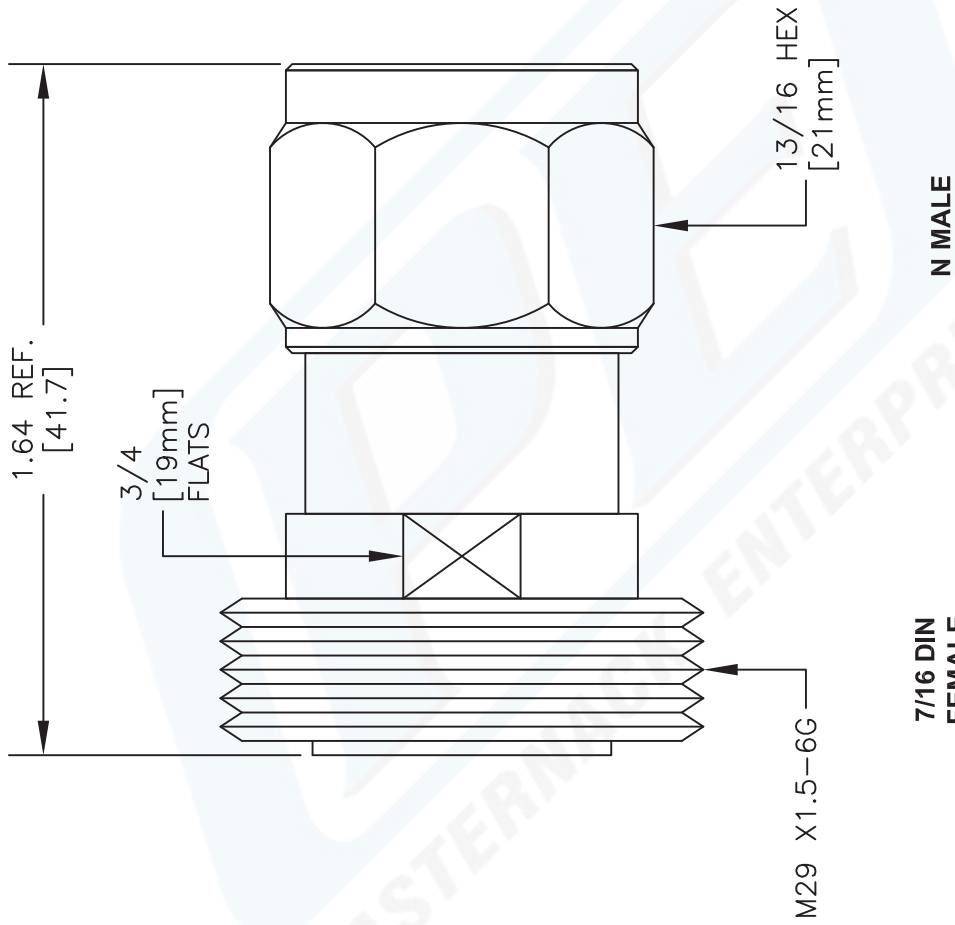
**Other Data**

URL: <http://www.pasternack.com/n-male-7-16-female-straight-adapter-pe91032-p.aspx>

Precision N Male to 7/16 DIN Female Adapter Low PIM, Low VSWR from Pasternack Enterprises has same day shipment for domestic and International orders. Our RF, microwave and fiber optic products maintain a 99% availability and are part of the broadest selection in the industry.

# PE91032 CAD Drawing

Precision N Male to 7/16 DIN Female Adapter Low PIM, Low VSWR



NOTES:  
 1. UNLESS OTHERWISE SPECIFIED ALL DIMENSIONS ARE NOMINAL.  
 2. ALL SPECIFICATIONS ARE SUBJECT TO CHANGE WITHOUT NOTICE AT ANY TIME.  
 3. DIMENSIONS ARE IN INCHES [mm].

DWG TITLE  
**PE91032**

**PASTERNAK ENTERPRISES, INC.**  
 P.O. BOX 16759, IRVINE, CA 92623  
 PHONE (949) 261-1920 FAX (949) 261-7451  
 WEB ADDRESS: [www.pasternack.com](http://www.pasternack.com)  
 E-MAIL ADDRESS: [sales@pasternack.com](mailto:sales@pasternack.com)  
**COAXIAL & FIBER OPTICS**



REV. -	FSCM NO. 53919	CAD FILE 050312	SCALE N/A	SIZE A	2233
--------	----------------	-----------------	-----------	--------	------