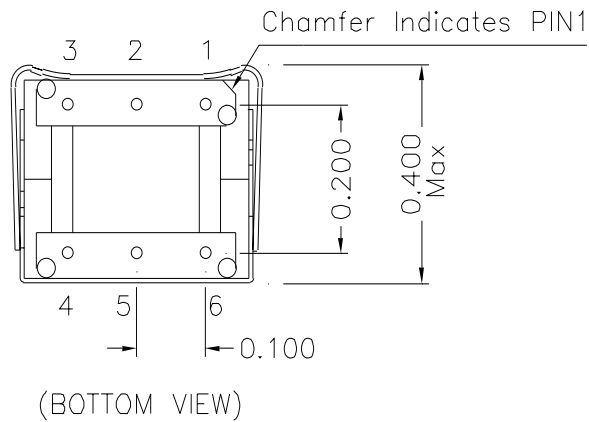
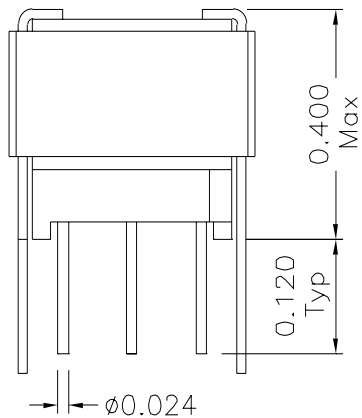
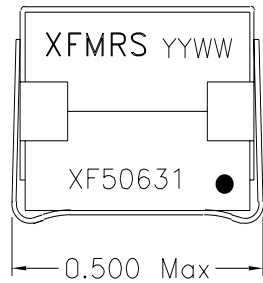
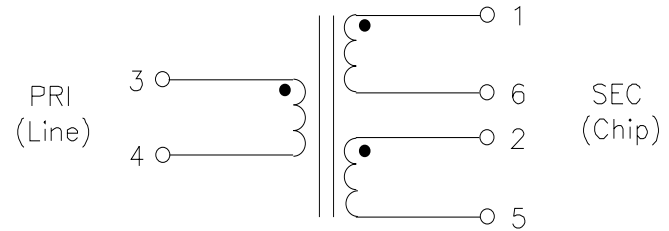


### 1. Mechanical Dimensions:



### 2. Schematic:



### 3. Electrical Specifications: @25°C

Isolation Voltage: 1000VAC (PRI to SEC)

Turn Ratio: 3-4:1-5 3.33:1CS (Tie 6-2)

PRI. OCL: Pins 3-4 10mH Minimum @10KHz 100mV

PRI LL: 10uH Maximum @100KHz 0.1V (SEC Shorted)

PRI DCR: 1.38 Ohms Max

SEC DCR: 0.198 Ohms Max (1-6)

SEC DCR: 0.250 Ohms Max (2-5)

DOC. REV A/1

<b>XFMRS Inc</b>	Title: TRANSFORMER	
	P/N: XF50631	REV. A
UNLESS OTHERWISE SPECIFIED TOLERANCES: .xxx ±0.005 Dimensions in INCH	DWN.	BW
	CHK.	AEI
	APP.	Joe Huff
SCALE 2.5:1 SHT 1 OF 1	Oct-28-99	Oct-28-99