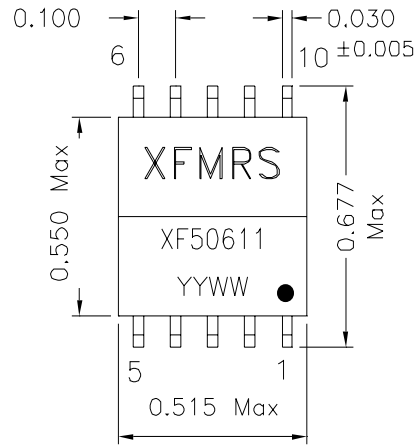
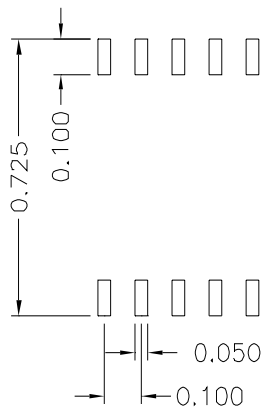


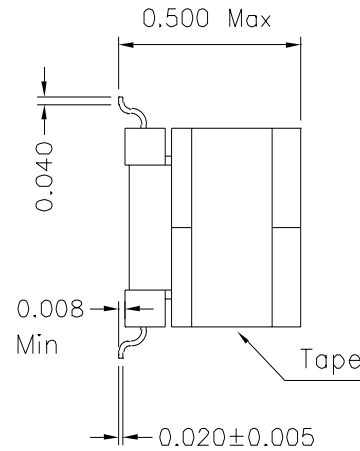
### 1. Dimensions:



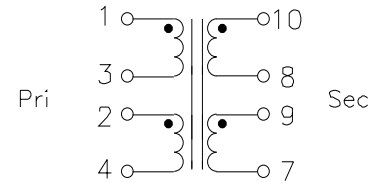
CO-PLANARITY: 0.004 Max



Suggested PCB Layout



### 2.Schematic:



### 3.Electrical Specifications: @25°C

Longitudinal Balance: 40dB MAX 1k-1Mhz

D.C. Resistance(@20C): 1-3, 1.29 ±15%

2-4, 1.29 ±15%

10-8, 1.60 ±15%

9-7, 1.60 ±15%

Frequency Response: ±1.1dB 30K-1.1Mhz

Insertion Loss: 0.5dB MAX @ 100Khz 100 Ohms load

Dielectric Rating: 2000VAC for 1 second between Pri - Sec.

Inductance (1-4): 5.0mH ±10% @ 10Khz, 1.0V (tie2-3)

Leakage Inductance (1-4): 16uH MAX @100Khz, 0.1V

(tie2-3, 8-10, 7-9)

Turns Ratio: (1-4):(10-7) = 1:1 Tie(2-3, 8-9)

Total Harmonic Distortion: -80dB MAX @30Khz 4Vrms

100 Ohm load - 100 Ohm Input

Interwinding Capacitance (1-10): 50pF MAX 10Khz, 1.0V

(tie 2+3, 8+9)

Designed to meet UL1950 Specifications for supplementary insulation with 250 working volts.

DOC. REV A/2

XFMRS Inc	Title: DSL TRANSFORMER		
	UNLESS OTHERWISE SPECIFIED		REV. A
	TOLERANCES:		
	.xxx ±0.010		
Dimensions in INCH		XF50611	
	DWN.	Buddy Woods	Nov-29-99
	CHK.	JOE HUFF	Nov-29-99
SHEET 1 OF 1	APP.	JOE HUFF	Nov-29-99