



## SSMB Jack Bulkhead Connector Solder Attachment Turret Terminal, .126 inch D Hole, Rear Mount

### TECHNICAL DATA SHEET

**PE4338**

#### SSMB Jack Bulkhead Connector Solder Attachment Turret Terminal, .126 inch D Hole, Rear Mount

##### Configuration

Connector	SSMB Jack
Connector Interface Type	Turret
Cable Attachment Method (Shield/Contact)	Solder
Body Style	Straight
Mount Method	Bulkhead

##### Electrical Specifications

Impedance, Ohms	50
-----------------	----

##### Mechanical Specifications

###### Size

Length, in [mm]	0.51 [12.95]
Width/Dia., in [mm]	0.156 [3.96]
Weight, lbs [g]	0.002 [0.91]

###### Connector

Type	SSMB Jack
Contact Material and Plating	Gold
Body Material and Plating	Brass, Gold
Dielectric Type	PTFE

##### Compliance Certifications (visit [www.Pasternack.com](http://www.Pasternack.com) for current document)

RoHS Compliant	Yes
----------------	-----

##### Plotted and Other Data

Notes:	Values at 25 °C, sea level
--------	----------------------------

SSMB Jack Bulkhead Connector Solder Attachment Turret Terminal, .126 inch D Hole, Rear Mount from Pasternack Enterprises has same day shipment for domestic and International orders. Our RF, microwave and fiber optic products maintain a 99% availability and are part of the broadest selection in the industry.

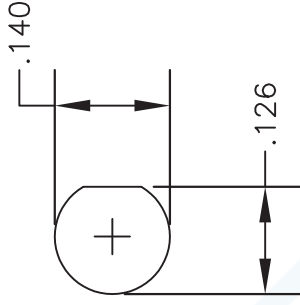
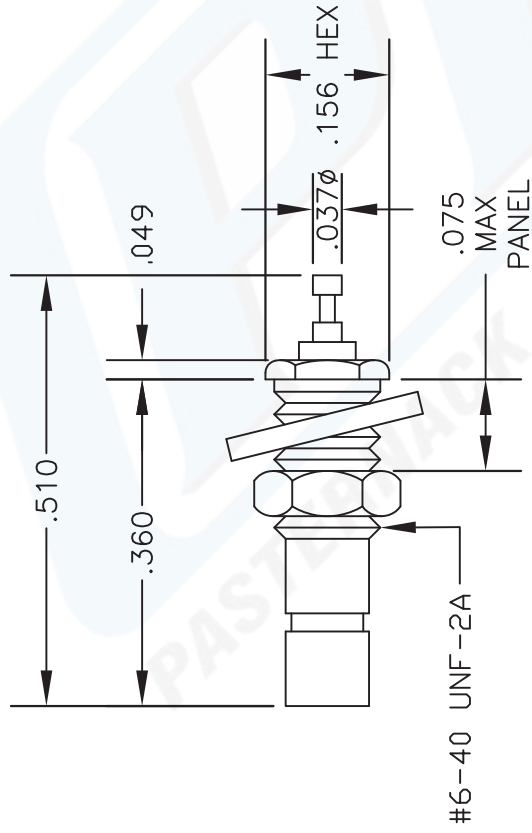
Click the following link (or enter part number in "SEARCH" on website) to obtain additional part information including price, inventory and certifications: [SSMB Jack Bulkhead Connector Solder Attachment Turret Terminal, .126 inch D Hole, Rear Mount PE4338](http://www.pasternack.com/ssmb-jack-standard-turret-terminal-connector-pe4338-p.aspx)

URL: <http://www.pasternack.com/ssmb-jack-standard-turret-terminal-connector-pe4338-p.aspx>

The information contained in this document is accurate to the best of our knowledge and representative of the part described herein. It may be necessary to make modifications to the part and/or the documentation of the part, in order to implement improvements. Pasternack reserves the right to make such changes as required. Unless otherwise stated, all specifications are nominal.

**MATERIALS**

BODY	BRASS GOLD PLATED
CONTACT	GOLD PLATED
INSULATOR	PTFE



MOUNTING HOLE



**PASTERMACK ENTERPRISES**  
ESTABLISHED 1972

**PASTERMACK ENTERPRISES, INC.**  
P.O. BOX 16759, IRVINE, CA 92623  
PHONE (949) 261-1920 FAX (949) 261-7451

WEB ADDRESS: [www.pasternack.com](http://www.pasternack.com)  
E-MAIL ADDRESS: [sales@pasternack.com](mailto:sales@pasternack.com)

**COAXIAL & FIBER OPTICS**

DWG TITLE		DES.	
<b>PE4338</b>		SSMB JACK, BULKHEAD, RECEPTACLE REAR MOUNT	
SIZE A	FSCM NO. 53919	CAD FILE	050802
		SCALE	N/A
			127

**NOTES:**

1. UNLESS OTHERWISE SPECIFIED ALL DIMENSIONS ARE NOMINAL.
2. ALL SPECIFICATIONS ARE SUBJECT TO CHANGE WITHOUT NOTICE AT ANY TIME.