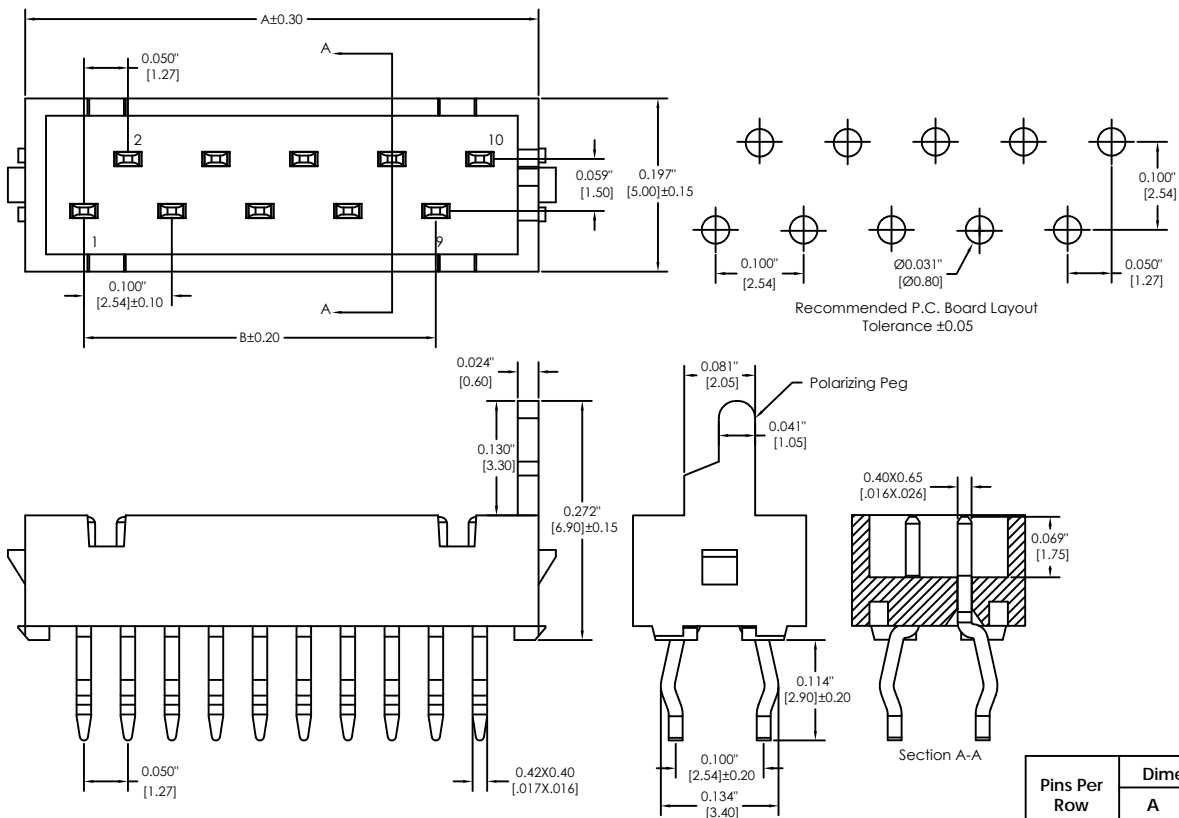


Major League Electronics .050" Staggered cl Male On Board Connector - Thru Hole



Pins Per Row	Dimension		Qty / Tube
	A	B	
2	7.20	2.54	71
3	9.74	5.08	54
4	12.28	7.62	44
5	14.82	10.16	37
6	17.63	12.70	31
7	19.90	15.24	28
8	22.44	17.78	25
9	24.98	20.32	22
10	27.52	22.86	20

Ordering Information

Specification

Electrical:

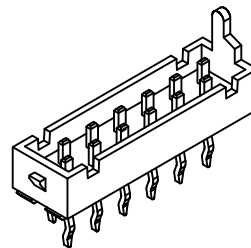
Rated Current: 1.0AMP
 Contact Resistance: 20mΩ max
 Withstand Voltage: 500V AC/DC
 Insulation Resistance: 1000MΩ min
 Operation Temperature: -40°C to +105°C

Material:

Contact Material: Phosphor Bronze
 Contact Plating: Sn Over Ni
 Insulator Material: PBT+15%GF(UL94V-0), Red
 Packing: Tube without Pick and Place Pad

MICRO - 07 - -

Pins Per Row: 02, 03, 04, 05, 06, 07, 08, 09, 10
 Lead Free



Mates with:
 Micro-01 (Board To Board),
 Micro-02 (Board To Board),
 Micro-03 (Board To Board)

Termination:

PCB

Products cut to specific sizes are uncancellable/nonreturnable

Parts are subject to change without notice

MICRO-07 SERIES

.050" Staggered cl Male On Board Connector
 Thru Hole Straight With Kinked Pins & Polarizing Peg

26 AUG 10

Scale
 NTS

UNLESS OTHERWISE SPECIFIED
 DIMENSIONS IN INCHES [MM]
 TOLERANCES ARE:

ONE PLACE DECIMALS ±.100
 TWO PLACE DECIMALS ±.010
 THREE PLACE DECIMALS ±.005
 FOUR PLACE DECIMALS ±.0020
 ANGLES
 ±.5°



4235 Earnings Way, New Albany, Indiana, 47150, USA
 1-800-782-3486 (USA/Canada/Mexico)
 Tel: 812-944-7244
 Fax: 812-944-7268
 E-mail: mle@mlelectronics.com
 Web: www.mlelectronics.com

Revision
 B

Sheet
 1/2

Revisions

Revision B - (12th May 2011)

Amendment to part number for entire series,
Total Pins has been changed to Pins Per Row.

Therefore MICRO-XX-04 is now MICRO-XX-02
(4 total pins now equals 2 pins per row in part number).

Was:

Total Pins
04, 06, 08, 10, 12, 14, 16, 18, 20

Now:

Pins Per Row
02, 03, 04, 05, 06, 07, 08, 09, 10

Products cut to specific sizes are uncancellable/nonreturnable

Parts are subject to change without notice

MICRO-07 SERIES

.050" Staggered cl Male On Board Connector
Thru Hole Straight With Kinked Pins & Polarizing Peg

26 AUG 10

Scale
NTS

UNLESS OTHERWISE SPECIFIED
DIMENSIONS IN INCHES [MM]
TOLERANCES ARE:

ONE PLACE DECIMALS ±.100
TWO PLACE DECIMALS ±.010
THREE PLACE DECIMALS ±.005
FOUR PLACE DECIMALS ±.0020
ANGLES
±.5°



4235 Earnings Way, New Albany, Indiana, 47150, USA
1-800-782-3486 (USA/Canada/Mexico)

Tel: 812-944-7244
Fax: 812-944-7268

E-mail: mle@mlelectronics.com
Web: www.mlelectronics.com

Revision
B

Sheet
2/2