

Split Backshell for MIL-C-81659 Connectors to MIL-C-38999 Series III & IV, Shell Size 17 500-043

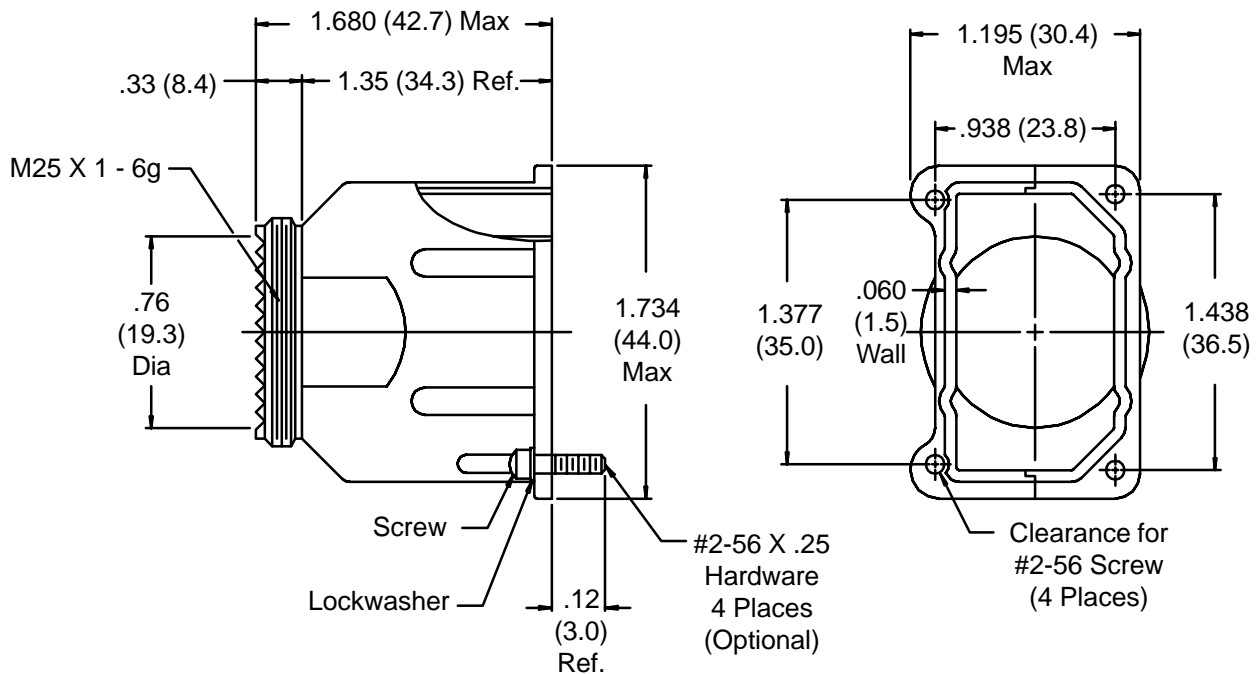
500-043 M H

Basic Part No. _____

Finish: _____

B = Cadmium Plate/Olive Drab
M = Electroless Nickel
N = Cadmium Plate/Olive Drab over Nickel Plate
Omit for Cadmium Olive Drab Over
Electroless Nickel (1000 Hour Salt Spray)

H = Hardware Supplied, Omit for None _____



1. Metric dimensions (mm) are indicated in parentheses.
2. Material/Finish:
Backshell = Al Alloy/Finish Per Part Number Development
Hardware = SST/Passivate