

PLEASE CHECK WWW.MOLEX.COM FOR LATEST PART INFORMATION

Part Number: [0191540042](#)
Status: **Active**
Description: D-654XT BUTT SPLC BZD INS TAPE DBL SPACE

Documents:

[Drawing \(PDF\)](#) [RoHS Certificate of Compliance \(PDF\)](#)
[Packaging Specification \(PDF\)](#)

General

Product Family	Splices
Series	19154
Crimp Quality Equipment	Yes
Mil-Spec	N/A
Product Name	Butt, InsulKrimp™

Physical

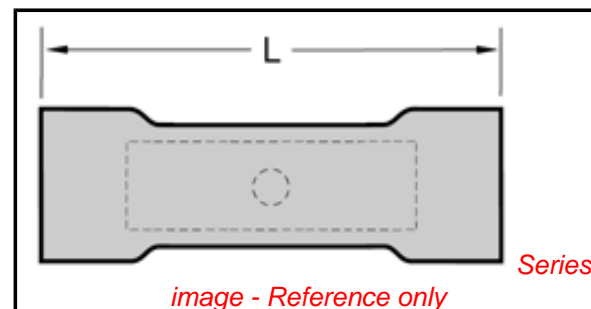
Barrel Type	Closed
Color - Resin	Natural
Insulation	PVC
Material - Resin	PVC
Packaging Type	Adhesive Tape on Reel
Wire Insulation Diameter	9.80mm (.385") max.
Wire Size AWG	8

Material Info

Old Part Number	D-654XT
-----------------	---------

Reference - Drawing Numbers

Sales Drawing	SD-19154-004
---------------	--------------



EU RoHS

**ELV and RoHS
Compliant**

REACH SVHC

Not Reviewed

Halogen-Free

Status

Not Reviewed

China RoHS



**Need more information on product
environmental compliance?**

Email productcompliance@molex.com
 For a multiple part number RoHS Certificate of
 Compliance, [click here](#)

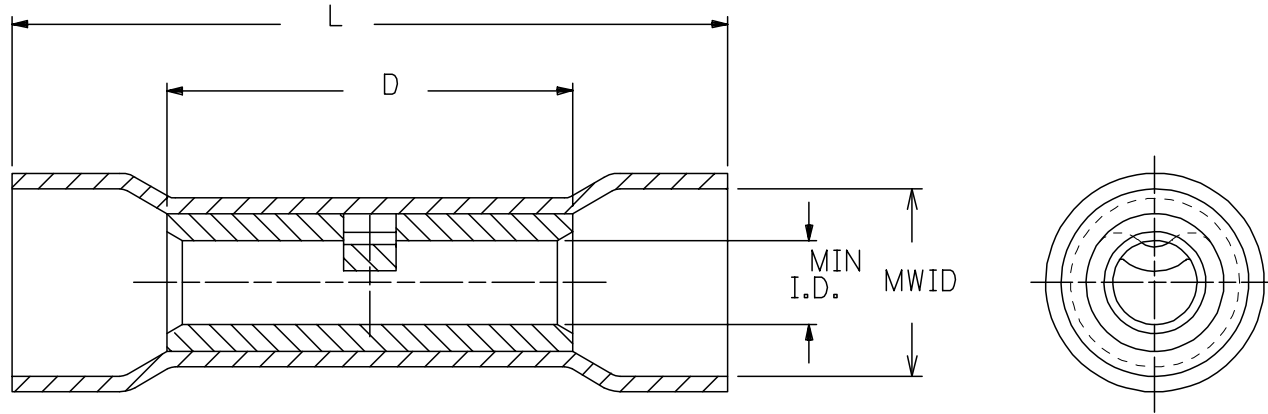
Please visit the [Contact Us](#) section for any
 non-product compliance questions.

Search Parts in this Series

[19154Series](#)

MATERIAL NUMBER	ENGINEERING NUMBER	WIRE SIZE	INSULATION COLOR	I.D. MIN.	MWID*	"D" MAX.	"L" MAX.
191540041	D-654X	8	RED	.165	.385	.864	1.510
191540045	E-662X	6	BLUE	.230	.440	1.045	1.855
191540048	F-664X	4	YELLOW	.277	.605	1.155	2.036
191540049	G-672X	2	RED	.357	.650	1.280	2.277

* MWID = MAXIMUM WIRE INSULATION DIAMETER



NOTES:

- CONNECTOR
MATERIAL: COPPER
PLATING: ELECTRO-TIN
- INSULATION
MATERIAL: PVC
COLOR: SEE CHART
- ALL COMPONENTS ARE ROHS COMPLIANT.

RERAWN & REVISED EC NO: ETC2007-0151 DRW: NEHLE 2006/10/17 CHKD: JMACNEIL 2006/10/18 APPR: JMACNEIL 2006/10/18	QUALITY SYMBOLS	GENERAL TOLERANCES (UNLESS SPECIFIED)		DIMENSION STYLE INCH ONLY		SCALE ---	DESIGN UNITS INCH	THIRD ANGLE PROJECTION	
	▽=0	mm	INCH	DRAWN BY	DATE	TITLE			
	▽=0	4 PLACES ± ---	± ---	RCM	1995/11/28	BUTT CONNECTOR, SEAMLESS, INSULKRIMP			
		3 PLACES ± ---	± ---	CHECKED BY	DATE				
	2 PLACES ± ---	± ---	RWD	1995/11/28	MOLEX INCORPORATED				
	1 PLACE ± ---	± ---	APPROVED BY	DATE					
		ANGULAR ± ---°		RWD	1995/11/28	DOCUMENT NO.		SHEET NO.	
				SEE CHART		SD-19154-004		1 OF 1	
				DRAFT WHERE APPLICABLE MUST REMAIN WITHIN DIMENSIONS					
				SIZE B	THIS DRAWING CONTAINS INFORMATION THAT IS PROPRIETARY TO MOLEX INCORPORATED AND SHOULD NOT BE USED WITHOUT WRITTEN PERMISSION				