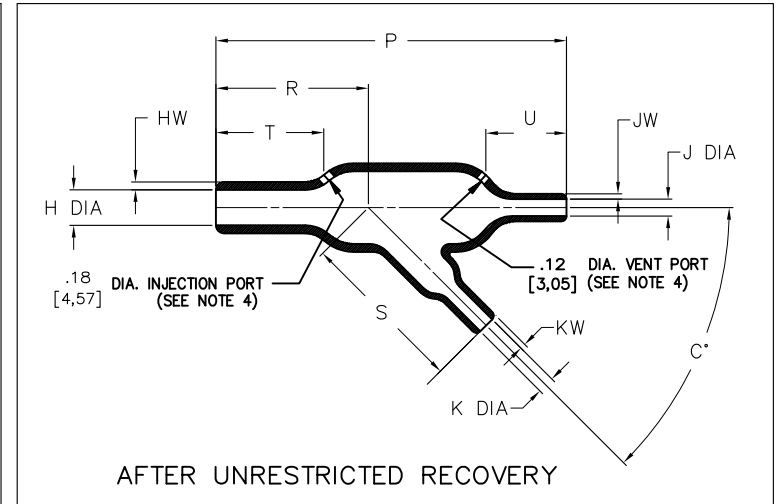
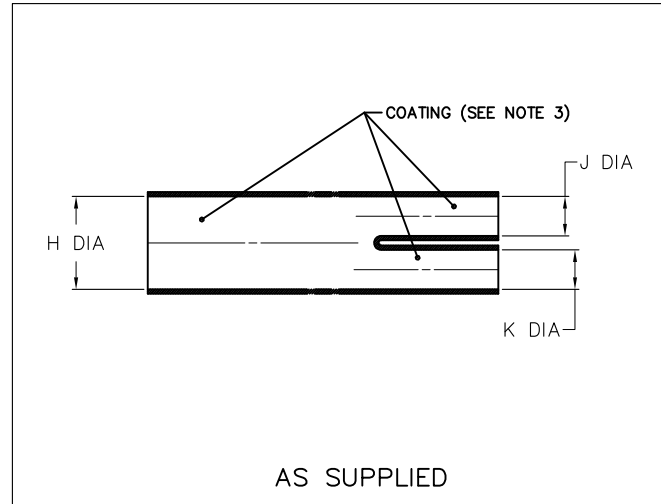


NOTES

- ALL DIMENSIONS ARE IN  $\frac{\text{INCHES}}{[\text{MILLIMETERS}]}$
- DIMENSIONS APPEARING IN TABLE ARE AS FOLLOWS:  
 a - AS SUPPLIED  
 b - AFTER UNRESTRICTED RECOVERY
- COATING (ADHESIVE) IS OPTIONAL. AS SUPPLIED DIMENSIONS APPEARING IN TABLE ARE FOR UNCOATED PARTS. WHEN COATING IS ADDED, ENTRY DIAMETERS WILL BE REDUCED BY .06 MAX.
- MOLDING PORTS ARE OPTIONAL. WHEN -00 MODIFICATION NUMBER IS SPECIFIED MOLDING PORTS WILL BE LOCATED AS SHOWN.



REVISIONS		
LTR	DESCRIPTION	DATE
M	REVISED DWG PER ECO-10-016616	08/16/2010

TABLE OF DIMENSIONS

PART NUMBER	H		J & K		P ±10%	R ±10%	S ±10%	T ±10%	U ±10%	HW ±20%	JW & KW ±20%	C	
	MIN	MAX	MIN	MAX								±10°	±5°
	a	b	a	b	b	b	b	b	b	b	a	b	
342A112	$\frac{.52}{[13,2]}$	$\frac{.24}{[6,1]}$	$\frac{.26}{[6,6]}$	$\frac{.12}{[3,0]}$	$\frac{1.76}{[44,7]}$	$\frac{.90}{[22,9]}$	$\frac{.84}{[21,3]}$	$\frac{.70}{[17,8]}$	$\frac{.60}{[15,2]}$	$\frac{.06}{[1,52]}$	$\frac{.04}{[1,02]}$	15	45
342A124	$\frac{1.06}{[26,9]}$	$\frac{.49}{[12,4]}$	$\frac{.52}{[13,2]}$	$\frac{.24}{[6,1]}$	$\frac{3.54}{[89,9]}$	$\frac{1.66}{[42,2]}$	$\frac{1.68}{[42,7]}$	$\frac{1.25}{[31,8]}$	$\frac{1.22}{[31,0]}$	$\frac{.10}{[2,54]}$	$\frac{.06}{[1,52]}$	15	45
342A138	$\frac{2.19}{[55,6]}$	$\frac{1.00}{[25,4]}$	$\frac{1.06}{[26,9]}$	$\frac{.49}{[12,4]}$	$\frac{7.21}{[183,1]}$	$\frac{3.76}{[95,5]}$	$\frac{3.40}{[86,4]}$	$\frac{2.80}{[71,1]}$	$\frac{2.60}{[66,0]}$	$\frac{.18}{[4,57]}$	$\frac{.10}{[2,54]}$	15	45

CUSTOMER DRAWING

UNLESS OTHERWISE SPECIFIED DIMENSIONS ARE INCHES. METRIC DIMENSIONS ARE IN BRACKETS.	REVISED	DATE	 Raychem Molded Parts 305 Constitution Dr Menlo Park, CA 94025
	UNGUYEN	06/04/2008	
DECIMAL TOLERANCES .XXX ± 0.005 [0.13 mm] .XX ± 0.01 [0.25 mm] .X ± 0.1 [0.50 mm]	RPN	TITLE TRANSITION, 45 DEGREE	
	THIRD ANGLE PROJECTION		
ANGLE TOLERANCE .X ± 1 DEG.	SIZE	CODE IDENT. NO.	DWG. NO.
	B	06090	342A1XX

If this document is printed it becomes uncontrolled. Check for the latest revision

4

3

2

1

## COMPATIBILITY CHART

MATERIAL DASH NO.	MATERIAL DESCRIPTION	RT SPEC	COATING SLASH NO.	COATING SPEC	COATING DESCRIPTION
-3	POLYOLEFIN, SEMI-RIGID	RT-301	/42; /86	S-1017; S-1048	ADHESIVE
-4	POLYOLEFIN, FLEXIBLE	RT-1304	/42; /86	S-1017; S-1048	ADHESIVE
-5	ELASTOMER, FLEXIBLE	RT-501	/42	S-1017	ADHESIVE
-6	SILICONE	RT-602	N/A		
-12	FLUROELASTOMER	RT-1312	N/A		
-25	ELASTOMER, FLUID RESISTANT	RW-2070	/86	S-1048	ADHESIVE
-100	POLYOLEFIN, SEMI-FLEXIBLE ZEROHAL	RT-1323	/180; /86	S-1030; S-1048	ADHESIVE

## ORDERING INFORMATION

BASE PART NUMBER \_\_\_\_\_ 342A1XX -XX -XX /XX  
 MATERIAL DASH NUMBER \_\_\_\_\_  
 (SEE COMPATIBILITY CHART)  
 MODIFICATION NUMBER \_\_\_\_\_  
 ADHESIVE SLASH NUMBER \_\_\_\_\_  
 (IF NECESSARY, SEE COMPATIBILITY CHART)

CUSTOMER DRAWING

If this document is printed it becomes uncontrolled. Check for the latest revision

SIZE	DWG. NO.	REV	DWG. NO.	342A1XX
B	06090	M		
DO NOT SCALE THIS DRAWING				SHEET 2 OF 2

4

3

2

1