

T1/CEPT PULSE TRANSFORMER

UL 1459 Recognized 

Turns Ratio (± 5%)	*1:0.575:0.575
----------------------	----------------

PARAMETER	MIN.	MAX.	UNITS
¹ Open Circuit Inductance	1.5		mHy
¹ Primary Leakage Inductance		0.8	μHy
¹ Interwinding Capacitance (C _{W/W})		25	pF
Primary DC Resistance		0.7	ohms
Secondary DC Resistance		0.5	ohms
Isolation (HI-POT)	1.5 Kv		V _{RMS}
E.T.	10		V-μS

Flammability: Materials used in the production of these units meet requirements of UL94-VO and IEC 695-2-2 needle flame test.

Temperature Characteristics:
 -40° C 900 μH min. (40% drop in inductance)
 +85° C 1.7 mH min. (15% growth in inductance)
 Typical part:
 2.0 mH @ +25° C
 2.3 mH @ +85° C
 1.2 mH @ -40° C

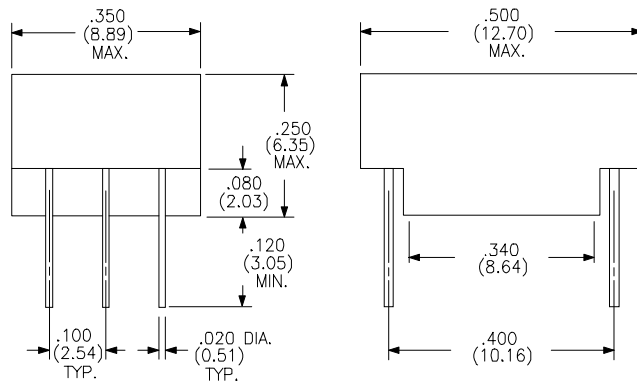
Parts shipped in anti-static tubes. 50 pieces per tube

*Primary Pins 5-6. A center tap can be formed by shorting pins 1+4 creating a 1:1.15CT Transformer

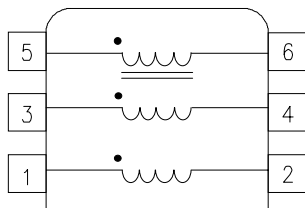
1. Tested at 100 kHz & 20 mV

PHYSICAL DIMENSIONS

All dimensions in inches (mm):



SCHEMATIC DIAGRAM:



RHOMBUS INDUSTRIES INC.

FSCM NO. 16714

RHOMBUS P/N: T-10219

CUST P/N:

NAME:

DATE: 11/04/97

SHEET: 1 OF 1