

The RF Sub-Micron MOSFET Line
RF Power Field Effect Transistors
 N-Channel Enhancement-Mode Lateral MOSFETs

MRF282SR1
MRF282ZR1

Designed for Class A and Class AB PCN and PCS base station applications with frequencies up to 2600 MHz. Suitable for FM, TDMA, CDMA, and multicarrier amplifier applications.

- Specified Two-Tone Performance @ 2000 MHz, 26 Volts
 Output Power — 10 Watts PEP
 Power Gain — 10.5 dB
 Efficiency — 28%
 Intermodulation Distortion — -31 dBc
- Specified Single-Tone Performance @ 2000 MHz, 26 Volts
 Output Power — 10 Watts CW
 Power Gain — 9.5 dB
 Efficiency — 35%
- Capable of Handling 10:1 VSWR, @ 26 Vdc, 2000 MHz, 10 Watts CW Output Power
- Excellent Thermal Stability
- Characterized with Series Equivalent Large-Signal Impedance Parameters
- Available in Tape and Reel. R1 Suffix = 500 Units per 12 mm, 7 inch Reel.

2000 MHz, 10 W, 26 V
LATERAL N-CHANNEL
BROADBAND
RF POWER MOSFETs



CASE 458B-03, STYLE 1
(NI-200S)
(MRF282SR1)



CASE 458C-03, STYLE 1
(NI-200Z)
(MRF282ZR1)

MAXIMUM RATINGS

Rating	Symbol	Value	Unit
Drain-Source Voltage	V_{DSS}	65	Vdc
Gate-Source Voltage	V_{GS}	±20	Vdc
Total Device Dissipation @ $T_C = 25^\circ\text{C}$ Derate above 25°C	P_D	60 0.34	Watts W°C
Storage Temperature Range	T_{stg}	-65 to +150	$^\circ\text{C}$
Operating Junction Temperature	T_J	200	$^\circ\text{C}$

THERMAL CHARACTERISTICS

Characteristic	Symbol	Max	Unit
Thermal Resistance, Junction to Case	$R_{\theta JC}$	4.2	$^\circ\text{C}/\text{W}$

ELECTRICAL CHARACTERISTICS ($T_C = 25^\circ\text{C}$ unless otherwise noted)

Characteristic	Symbol	Min	Typ	Max	Unit
----------------	--------	-----	-----	-----	------

OFF CHARACTERISTICS

Drain-Source Breakdown Voltage ($V_{GS} = 0, I_D = 10 \mu\text{A}$)	$V_{(BR)DSS}$	65	—	—	Vdc
Zero Gate Voltage Drain Current ($V_{DS} = 28 \text{ Vdc}, V_{GS} = 0$)	I_{DSS}	—	—	1.0	μA
Gate-Source Leakage Current ($V_{GS} = 20 \text{ Vdc}, V_{DS} = 0$)	I_{GSS}	—	—	1.0	μA

NOTE – **CAUTION** – MOS devices are susceptible to damage from electrostatic charge. Reasonable precautions in handling and packaging MOS devices should be observed.

Freescale Semiconductor, Inc.

ELECTRICAL CHARACTERISTICS continued ($T_C = 25^\circ\text{C}$ unless otherwise noted)

Characteristic	Symbol	Min	Typ	Max	Unit
ON CHARACTERISTICS					
Gate Threshold Voltage ($V_{DS} = 10\text{ Vdc}$, $I_D = 50\ \mu\text{Adc}$)	$V_{GS(th)}$	2.0	3.0	4.0	Vdc
Drain–Source On–Voltage ($V_{GS} = 10\text{ Vdc}$, $I_D = 0.5\text{ Adc}$)	$V_{DS(on)}$	—	0.4	0.6	Vdc
Gate Quiescent Voltage ($V_{DS} = 26\text{ Vdc}$, $I_D = 75\text{ mAdc}$)	$V_{GS(q)}$	3.0	4.0	5.0	Vdc
DYNAMIC CHARACTERISTICS					
Input Capacitance ($V_{DS} = 26\text{ Vdc}$, $V_{GS} = 0$, $f = 1.0\text{ MHz}$)	C_{iss}	—	15	—	pF
Output Capacitance ($V_{DS} = 26\text{ Vdc}$, $V_{GS} = 0$, $f = 1.0\text{ MHz}$)	C_{oss}	—	8.0	—	pF
Reverse Transfer Capacitance ($V_{DS} = 26\text{ Vdc}$, $V_{GS} = 0$, $f = 1.0\text{ MHz}$)	C_{rss}	—	0.45	—	pF
FUNCTIONAL TESTS (In Motorola Test Fixture)					
Common–Source Power Gain ($V_{DD} = 26\text{ Vdc}$, $P_{out} = 10\text{ W PEP}$, $I_{DQ} = 75\text{ mA}$, $f_1 = 2000.0\text{ MHz}$, $f_2 = 2000.1\text{ MHz}$)	G_{ps}	10.5	11.5	—	dB
Drain Efficiency ($V_{DD} = 26\text{ Vdc}$, $P_{out} = 10\text{ W PEP}$, $I_{DQ} = 75\text{ mA}$, $f_1 = 2000.0\text{ MHz}$, $f_2 = 2000.1\text{ MHz}$)	η	28	—	—	%
Intermodulation Distortion ($V_{DD} = 26\text{ Vdc}$, $P_{out} = 10\text{ W PEP}$, $I_{DQ} = 75\text{ mA}$, $f_1 = 2000.0\text{ MHz}$, $f_2 = 2000.1\text{ MHz}$)	IMD	—	–31	–28	dBc
Input Return Loss ($V_{DD} = 26\text{ Vdc}$, $P_{out} = 10\text{ W PEP}$, $I_{DQ} = 75\text{ mA}$, $f_1 = 2000.0\text{ MHz}$, $f_2 = 2000.1\text{ MHz}$)	IRL	—	–14	–9	dB
Common–Source Power Gain ($V_{DD} = 26\text{ Vdc}$, $P_{out} = 10\text{ W PEP}$, $I_{DQ} = 75\text{ mA}$, $f_1 = 1930.0\text{ MHz}$, $f_2 = 1930.1\text{ MHz}$)	G_{ps}	10.5	11.5	—	dB
Drain Efficiency ($V_{DD} = 26\text{ Vdc}$, $P_{out} = 10\text{ W PEP}$, $I_{DQ} = 75\text{ mA}$, $f_1 = 1930.0\text{ MHz}$, $f_2 = 1930.1\text{ MHz}$)	η	28	—	—	%
Intermodulation Distortion ($V_{DD} = 26\text{ Vdc}$, $P_{out} = 10\text{ W PEP}$, $I_{DQ} = 75\text{ mA}$, $f_1 = 1930.0\text{ MHz}$, $f_2 = 1930.1\text{ MHz}$)	IMD	—	–31	–28	dBc
Input Return Loss ($V_{DD} = 26\text{ Vdc}$, $P_{out} = 10\text{ W PEP}$, $I_{DQ} = 75\text{ mA}$, $f_1 = 1930.0\text{ MHz}$, $f_2 = 1930.1\text{ MHz}$)	IRL	—	–14	–9	dB
Common–Source Power Gain ($V_{DD} = 26\text{ Vdc}$, $P_{out} = 10\text{ W CW}$, $I_{DQ} = 75\text{ mA}$, $f = 2000.0\text{ MHz}$)	G_{ps}	9.5	11.5	—	dB
Drain Efficiency ($V_{DD} = 26\text{ Vdc}$, $P_{out} = 10\text{ W CW}$, $I_{DQ} = 75\text{ mA}$, $f = 2000.0\text{ MHz}$)	η	35	40	—	%
Output Mismatch Stress ($V_{DD} = 26\text{ Vdc}$, $P_{out} = 10\text{ W CW}$, $I_{DQ} = 75\text{ mA}$, $f_1 = 2000.0\text{ MHz}$, $f_2 = 2000.1\text{ MHz}$, Load VSWR = 10:1, All Phase Angles at Frequency of Test)	Ψ	No Degradation In Output Power			

Freescale Semiconductor, Inc.

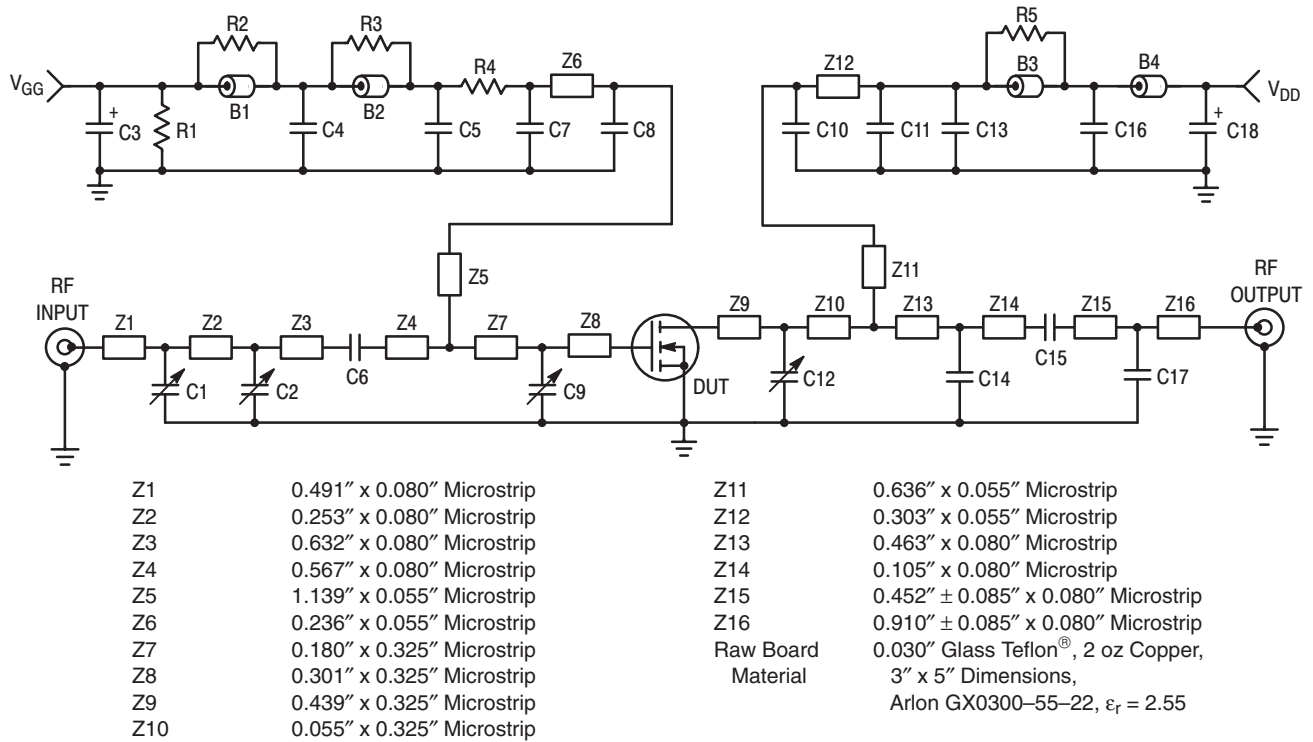


Figure 1.193 – 2.0 GHz Broadband Test Circuit Schematic

Table 1.193 – 2.0 GHz Broadband Test Circuit Component Designations and Values

Designators	Description
B1, B4	Surface Mount Ferrite Beads, 0.120" x 0.333" x 0.100", Fair Rite #2743019446
B2, B3	Surface Mount Ferrite Beads, 0.120" x 0.170" x 0.100", Fair Rite #2743029446
C1, C2, C9	0.8–8.0 pF Variable Capacitors, Johanson Gigatrim #27291SL
C3	10 μ F, 35 V Tantalum Surface Mount Chip Capacitor, Kemet #T495X106K035AS4394
C4, C5, C13, C16	0.1 μ F Chip Capacitors, Kemet #CDR33BX104AKWS
C6	200 pF Chip Capacitor, B Case, ATC #100B201JCA500X
C7	18 pF Chip Capacitor, B Case, ATC #100B180KP500X
C8	39 pF Chip Capacitor, B Case, ATC #100B390JCA500X
C10	27 pF Chip Capacitor, B Case, ATC #100B270JCA500X
C11	1.2 pF Chip Capacitor, B Case, ATC #100B1R2CCA500X
C12	0.6–4.5 pF Variable Capacitor, Johanson Gigatrim #27271SL
C14	0.5 pF Chip Capacitor, B Case, ATC #100B0R5BCA500X
C15	15 pF Chip Capacitor, B Case, ATC #100B150JCA500X
C17	0.1 pF Chip Capacitor, B Case, ATC #100B0R1BCA500X
C18	22 μ F, 35 V Tantalum Surface Mount Chip Capacitor, Kemet #T491X226K035AS4394
R1	560 k Ω , 1/4 W Chip Resistor, 0.08" x 0.13"
R2, R5	12 Ω , 1/4 W Chip Resistors, 0.08" x 0.13", Garrett Instruments #RM73B2B120JT
R3, R4	91 Ω , 1/4 W Chip Resistors, 0.08" x 0.13", Garrett Instruments #RM73B2B910JT
WS1, WS2	Beryllium Copper Wear Blocks 0.010" x 0.235" x 0.135" NOM
	Brass Banana Jack and Nut
	Red Banana Jack and Nut
	Green Banana Jack and Nut
	Type "N" Jack Connectors, Omni-Spectra # 3052-1648-10
	4-40 Ph Head Screws, 0.125" Long
	4-40 Ph Head Screws, 0.188" Long
	4-40 Ph Head Screws, 0.312" Long
	4-40 Ph Rec. Hd. Screws, 0.438" Long
RF Circuit Board	3" x 5" Copper Clad PCB, Glass Teflon®

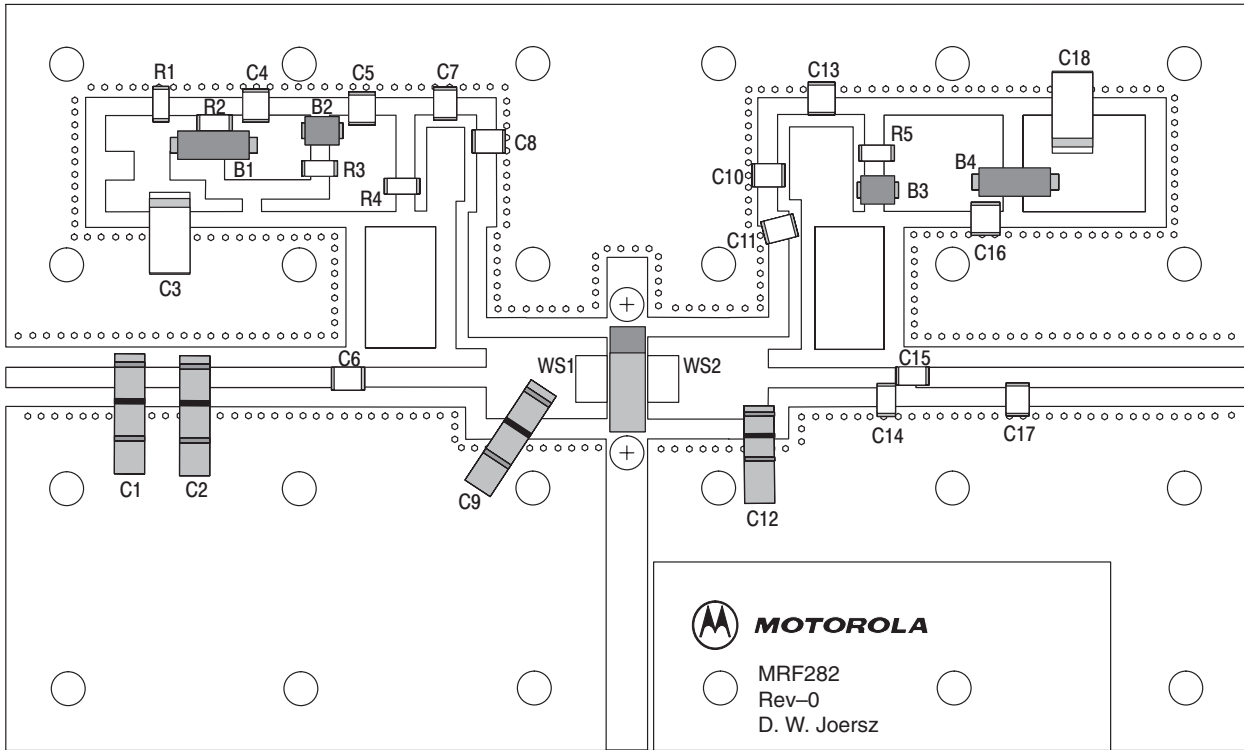
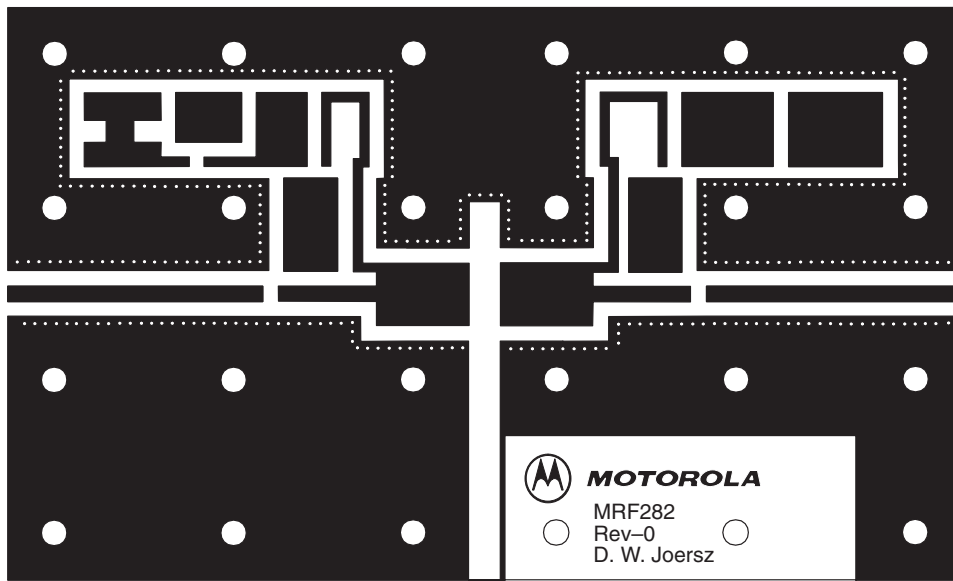
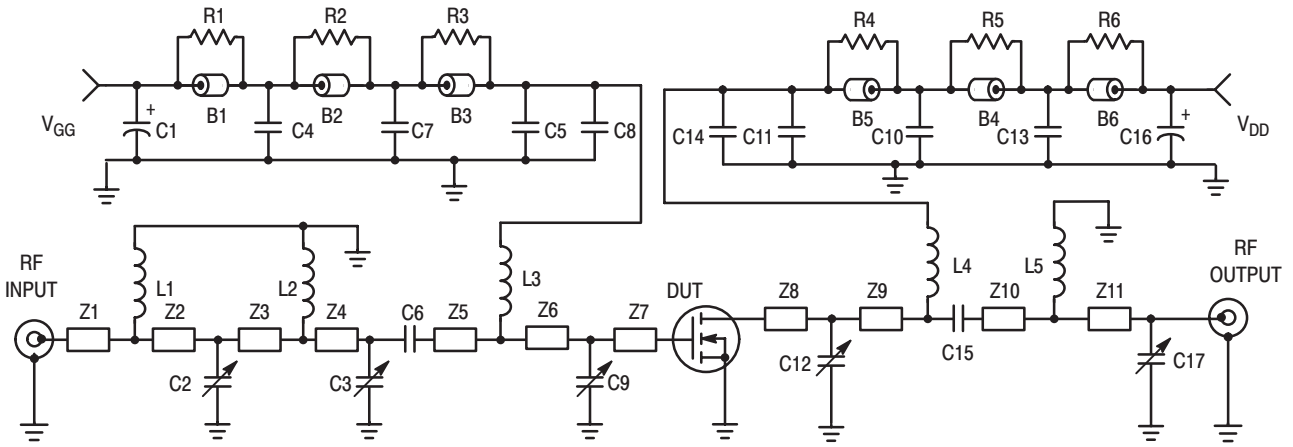


Figure 2. 1.93-2.0 GHz Broadband Test Circuit Component Layout



(Scale 1:1)

Figure 3. MRF282 Test Circuit Photomaster
(Reduced 18% in printed data book, DL110/D)



Z1	0.122" x 0.08" Microstrip	Z8	0.414" x 0.330" Microstrip
Z2	0.650" x 0.08" Microstrip	Z9	0.392" x 0.08" Microstrip
Z3	0.160" x 0.08" Microstrip	Z10	0.070" x 0.08" Microstrip
Z4	0.030" x 0.08" Microstrip	Z11	1.110" x 0.08" Microstrip
Z5	0.045" x 0.08" Microstrip	Raw Board	0.030" Glass Teflon [®] , 2 oz Copper,
Z6	0.291" x 0.08" Microstrip	Material	3" x 5" Dimensions,
Z7	0.483" x 0.330" Microstrip		Arlon GX0300-55-22, $\epsilon_r = 2.55$

Figure 4. 1.81 – 1.88 GHz Broadband Test Circuit Schematic

Table 2. 1.81 – 1.88 GHz Broadband Test Circuit Component Designations and Values

Designators	Description
B1, B2, B3, B4, B5, B6	Surface Mount Ferrite Beads, 0.120" x 0.170" x 0.100", Fair Rite #2743029446
C1, C16	470 μ F, 63 V Electrolytic Capacitors, Mallory #SME63UB471M12X25L
C2, C9, C12, C17	0.6–4.5 pF Variable Capacitors, Johanson Gigatrim #27271SL
C3	0.8–8.0 pF Variable Capacitor, Johanson Gigatrim #27291SL
C4, C13	0.1 μ F Chip Capacitors, Kemet #CDR33BX104AKWS
C5, C14	100 pF Chip Capacitors, B Case, ATC #100B101JCA500X
C6, C8, C11, C15	12 pF Chip Capacitors, B Case, ATC #100B120JCA500X
C7, C10	1000 pF Chip Capacitors, B Case, ATC #100B102JCA50X
L1	3 Turns, 27 AWG, 0.087" OD, 0.050" ID, 0.053" Long, 6.0 nH
L2	5 Turns, 27 AWG, 0.087" OD, 0.050" ID, 0.091" Long, 15 nH
L3, L4	9 Turns, 26 AWG, 0.080" OD, 0.046" ID, 0.170" Long, 30.8 nH
L5	4 Turns, 27 AWG, 0.087" OD, 0.050" ID, 0.078" Long, 10 nH
R1, R2, R3	12 Ω , 1/8 W Fixed Film Chip Resistors, Garrett Instruments #RM73B2B120JT
R4, R5, R6	0.08" x 0.13" Resistors, Garrett Instruments #RM73B2B120JT
W1, W2	Beryllium Copper 0.010" x 0.110" x 0.210"

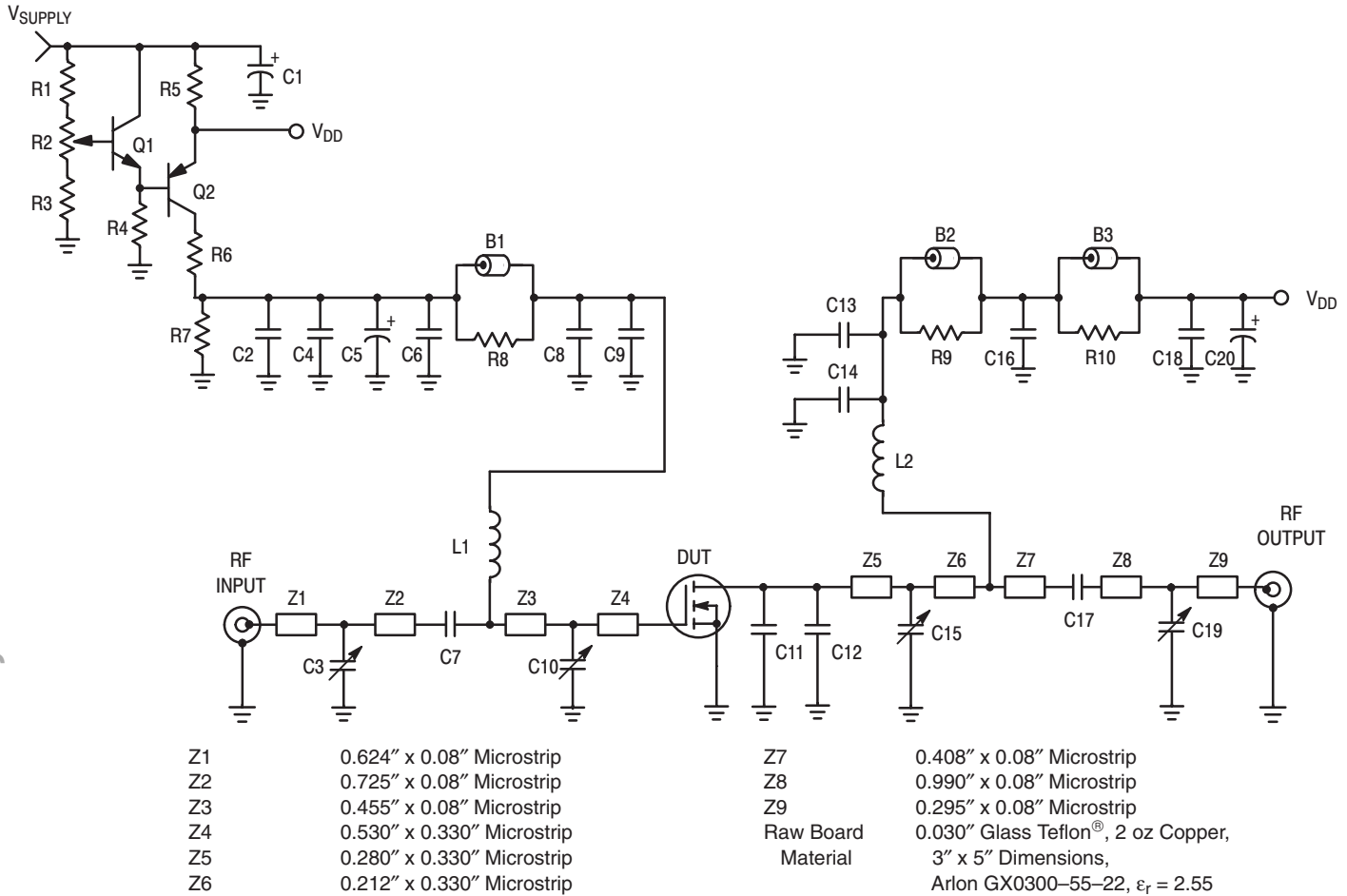
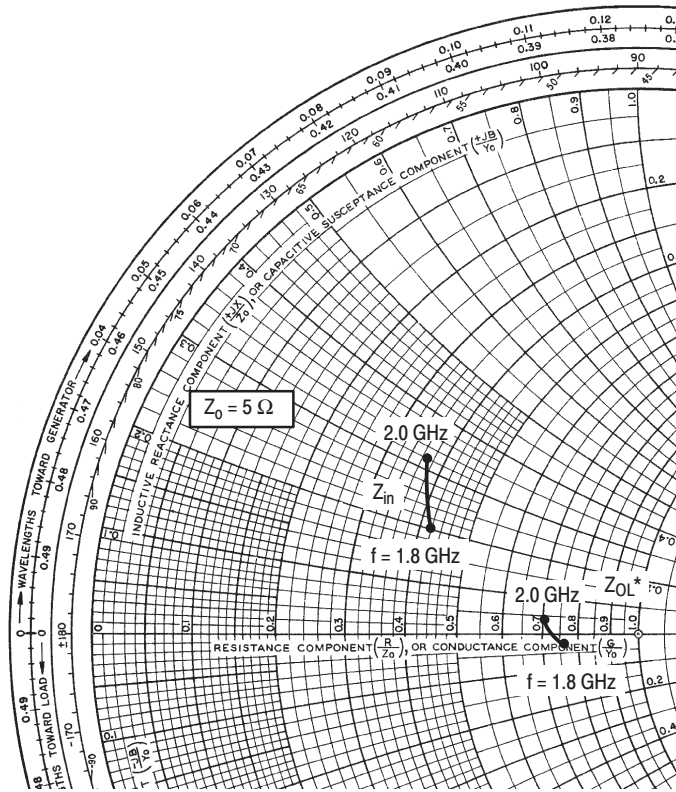


Figure 5. Class A Broadband Test Circuit Schematic

Table 3. Class A Broadband Test Circuit Component Designations and Values

Designators	Description
B1, B2, B3	Ferrite Beads, Ferroxcube #56-590-65-3B
C1, C20	470 μ F, 63 V Electrolytic Capacitors, Mallory #SME63V471M12X25L
C2	0.01 μ F Chip Capacitor, B Case, ATC #100B103JCA50X
C3, C10, C15	0.6-4.5 pF Variable Capacitors, Johanson #27271SL
C4, C16	0.02 μ F Chip Capacitors, B Case, ATC #100B203JCA50X
C5	100 μ F, 50 V Electrolytic Capacitor, Mallory #SME50VB101M12X256
C6, C7, C9, C14, C17	12 pF Chip Capacitors, B Case, ATC #100B120JCA500X
C8, C13	51 pF Chip Capacitors, B Case, ATC #100B510JCA500X
C11, C12	0.3 pF Chip Capacitors, B Case, ATC #100B0R3CCA500X
C18	0.1 μ F Chip Capacitor, Kemet #CDR33BX104AKWS
C19	0.4-2.5 pF Variable Capacitor, Johanson #27285
L1	8 Turns, 0.042" ID, 24 AWG, Enamel
L2	9 Turns, 0.046" ID, 26 AWG, Enamel
Q1	NPN, 15 W, Bipolar Transistor, MJD310
Q2	PNP, 15 W, Bipolar Transistor, MJD320
R1	200 Ω , 1/4 W Axial Resistor
R2	1.0 k Ω , 1/2 W Potentiometer, Bourns
R3	13 k Ω , 1/4 W Axial Resistor
R4, R6, R7	390 Ω , 1/8 W Chip Resistors, Garrett Instruments #RM73B2B391JT
R5	1.0 Ω , 10 W 1% Resistor, Dale #RE65G1R00
R8, R9, R10	12 Ω , 1/8 W Chip Resistors, Garrett Instruments #RM73B2B120JT
Input/Output	Type N Flange Mount RF55-22 Connectors, Omni-Spectra



$V_{DD} = 26\text{ V}$, $I_{DQ} = 75\text{ mA}$, $P_{out} = 10\text{ W (PEP)}$

f MHz	Z_{in} Ω	Z_{OL}^* Ω
1800	$2.1 + j1.0$	$3.8 - j0.15$
1860	$2.05 + j1.15$	$3.77 - j0.13$
1900	$2.0 + j1.2$	$3.75 - j0.1$
1960	$1.9 + j1.4$	$3.65 + j0.1$
2000	$1.85 + j1.6$	$3.55 + j0.2$

Z_{in} = Complex conjugate of source impedance.

Z_{OL}^* = Complex conjugate of the optimum load impedance at given output power, voltage, IMD, bias current and frequency.

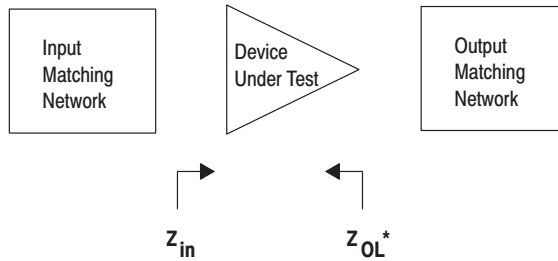


Figure 6. Series Equivalent Input and Output Impedance

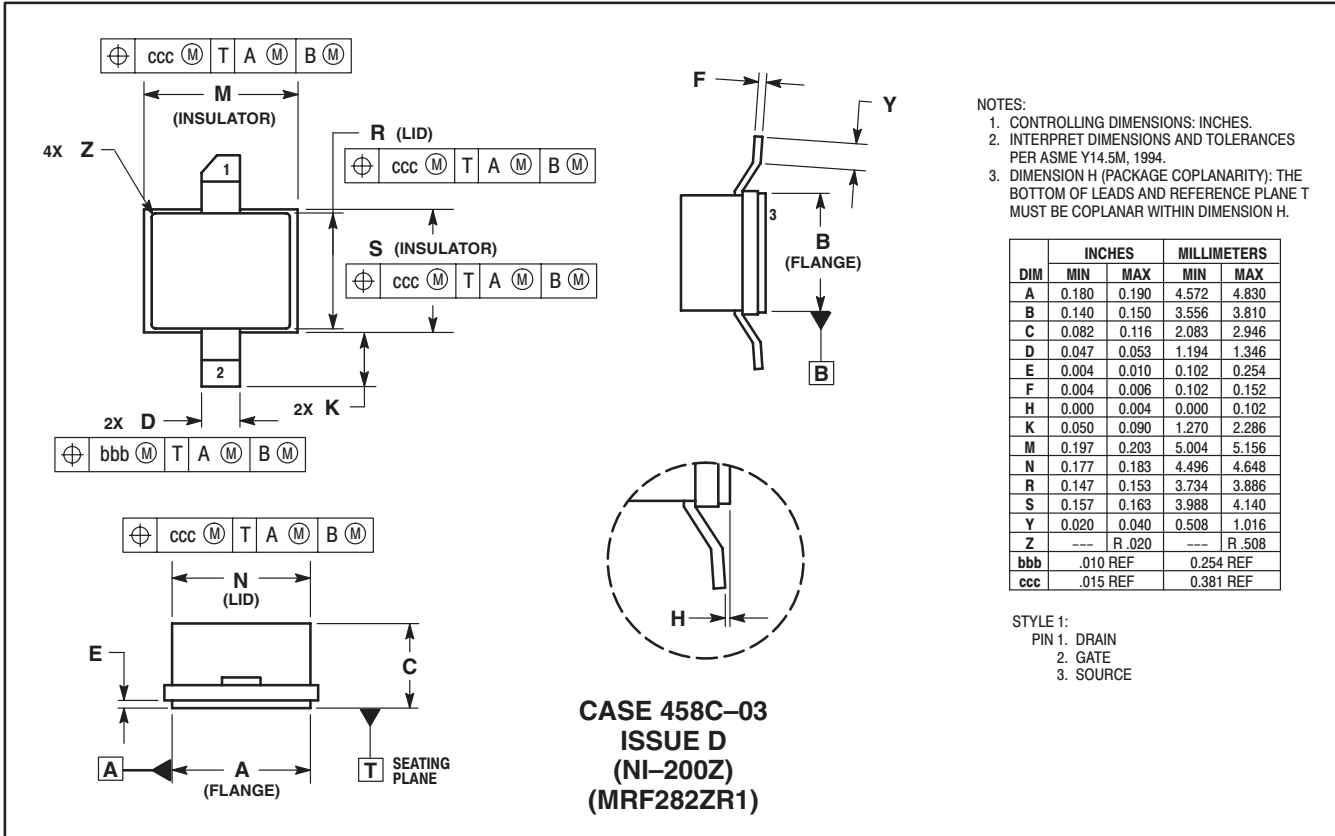
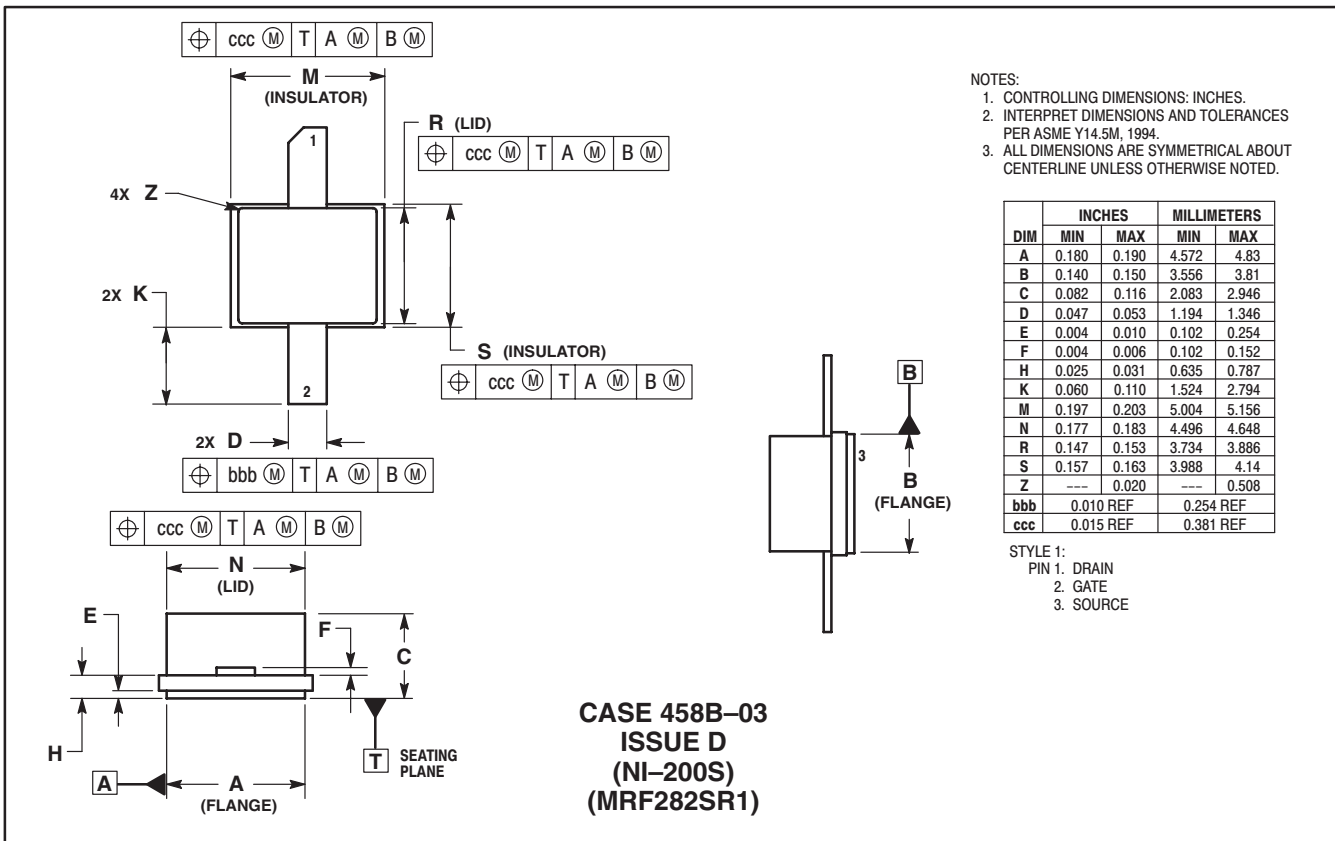
NOTES


NOTES

NOTES

Freescale Semiconductor, Inc.

PACKAGE DIMENSIONS



Motorola reserves the right to make changes without further notice to any products herein. Motorola makes no warranty, representation or guarantee regarding the suitability of its products for any particular purpose, nor does Motorola assume any liability arising out of the application or use of any product or circuit, and specifically disclaims any and all liability, including without limitation consequential or incidental damages. "Typical" parameters which may be provided in Motorola data sheets and/or specifications can and do vary in different applications and actual performance may vary over time. All operating parameters, including "Typicals" must be validated for each customer application by customer's technical experts. Motorola does not convey any license under its patent rights nor the rights of others. Motorola products are not designed, intended, or authorized for use as components in systems intended for surgical implant into the body, or other applications intended to support or sustain life, or for any other application in which the failure of the Motorola product could create a situation where personal injury or death may occur. Should Buyer purchase or use Motorola products for any such unintended or unauthorized application, Buyer shall indemnify and hold Motorola and its officers, employees, subsidiaries, affiliates, and distributors harmless against all claims, costs, damages, and expenses, and reasonable attorney fees arising out of, directly or indirectly, any claim of personal injury or death associated with such unintended or unauthorized use, even if such claim alleges that Motorola was negligent regarding the design or manufacture of the part. Motorola, Inc. Motorola, Inc. is an Equal Opportunity/Affirmative Action Employer. MOTOROLA and the  logo are registered in the US Patent & Trademark Office. All other product or service names are the property of their respective owners.

© Motorola, Inc. 2002.

How to reach us:

USA/EUROPE/Locations Not Listed: Motorola Literature Distribution; P.O. Box 5405, Denver, Colorado 80217. 1-303-675-2140 or 1-800-441-2447

JAPAN: Motorola Japan Ltd.; SPS, Technical Information Center, 3-20-1, Minami-Azabu, Minato-ku, Tokyo 106-8573 Japan. 81-3-3440-3569

ASIA/PACIFIC: Motorola Semiconductors H.K. Ltd.; Silicon Harbour Centre, 2 Dai King Street, Tai Po Industrial Estate, Tai Po, N.T., Hong Kong. 852-26668334

Technical Information Center: 1-800-521-6274

HOME PAGE: <http://www.motorola.com/semiconductors/>



◇ **For More Information On This Product,
Go to: www.freescale.com**

MRF282/D