



Features

- ◇ For IF SAW filter
- ◇ Single-ended operation
- ◇ Ceramic Surface Mount Package
- ◇ Small size
- ◇ RoHS compliant (2002/95/EC), Pb-free

Specifications

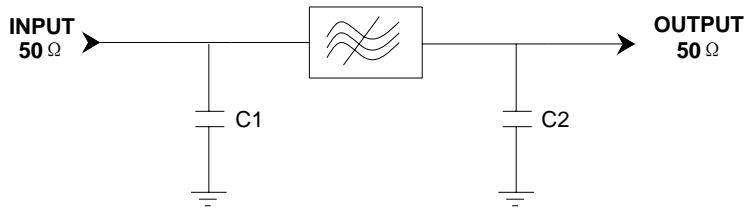
Parameter	Unit	Minimum	Typical	Maximum
Center Frequency	MHz	-	844	-
Insertion Loss($f_0 \pm 4.75\text{MHz}$)	dB	-	30.7	32
1.5 dB Bandwidth	MHz	-	9.28	-
3 dB Bandwidth	MHz	9.5	9.53	-
35 dB Bandwidth	MHz	-	11.15	11.5
40 dB Bandwidth	MHz	-	11.28	-
Passband Variation($f_0 \pm 4.75\text{MHz}$)	dB	-	0.9	1.5
Group Delay Variation($f_0 \pm 4.75\text{MHz}$)	nsec	-	240	300
Absolute Delay	usec	-	1.88	-
Ultimate Rejection($f_0 \pm 10\text{MHz}$)	dB	40	45	-
Material Temperature coefficient	KHz/°C	0.84		
Substrate Material	-	Qz		
Ambient Temperature	°C	25		
DC Voltage	V	0		
Input Power	dBm	-	-	10
ESD Class	-	1C		
Package Size	DIP2212 (22.2x12.8x4.7mm3)			

Notes:

1. All specifications are based on the test circuit shown;
2. In production, all specifications are measured by Agilent Network analyzer and full 2 port calibration at room temperature;
3. Electrical margin has been built into the design to account for the variations due to temperature drift and manufacturing tolerances;
4. This is the optimum impedance in order to achieve the performance show.

	SIPAT Co., Ltd. (CETC No.26 Research Institute) #14 Nanping Huayuan Road, Chongqing, China, 400060	Part Number	LBS84401	
		Rev. Date	2010-12-29	
		Ver.	1.0	Page 1/3

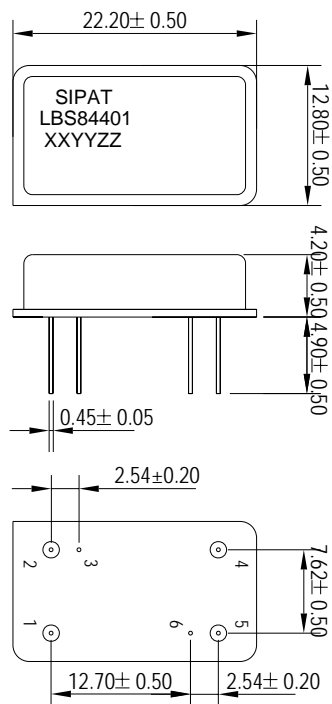
Matching Configuration



C1=8.2pF C2=6.8pF
Source/Load Impedance=50 ohm

Notes - Component values may change depending on board layout.

Package Dimension



Pad Configuration:

Input: 1
Output: 4
Ground: All Others

Marking Configuration:

- 1) SIPAT: Manufacturer Name
- 2) LBS84401: Part Number
- 3) XXYY: Date(Year/month)
- 4) ZZ: Identified Code

Package: DIP2212

Unit: mm



SIPAT Co., Ltd.
(CETC No.26 Research Institute)
#14 Nanping Huayuan Road,
Chongqing, China, 400060

Part Number	LBS84401	
Rev. Date	2010-12-29	
Ver.	1.0	Page 2/3



Typical Performance

