

## 1. FEATURE

### VIDEO PROCESSOR

- Support CCIR601/656 Input
- Intra-field de-interlacer
- Brightness, Contrast, Color, and Tint Adjustments
- Adaptive Black-Level Extension
- Chrominance Transient Improvement
- EZ-Gamma Programming Hardware Support

### LCD DISPLAY CONTROL

- Built-in Universal T-CON for 480/960/1200/1440/1920x234 analog LCD panels
- Digital RGB Independent Output Line-Inversion, Offset, and Ratio Control
- Built-In Video DAC for Analog RGB Output

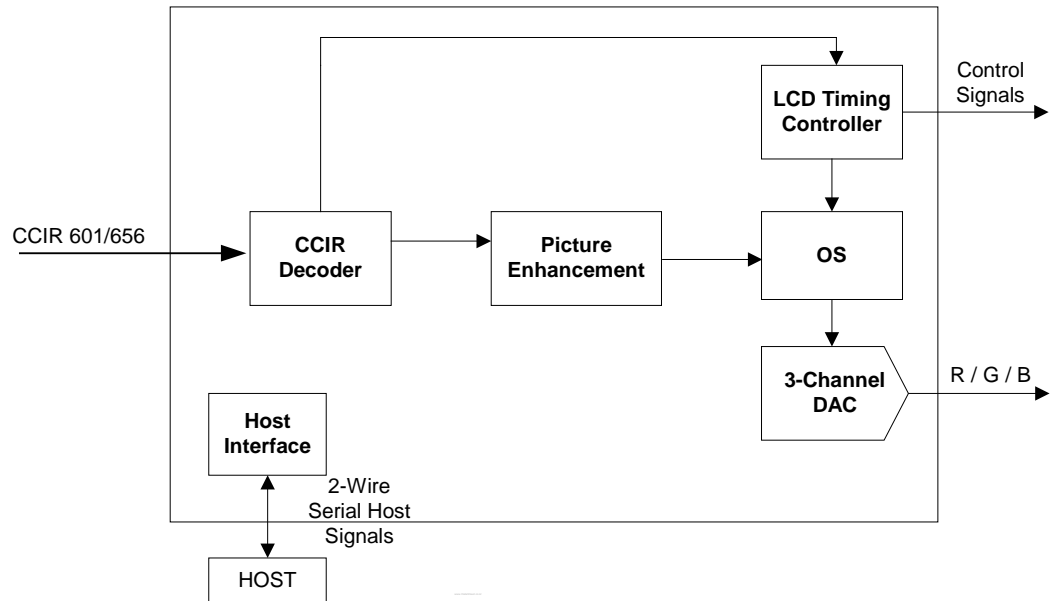
### INTERFACE

- Two-Wire Serial Host Interface Compatible with IIC Interface
- 2.5/3.3V Power Supply
- 5-Volt Tolerant Digital I/O
- 48-Pin LQFP Package

## 2. GENERAL DESCRIPTION

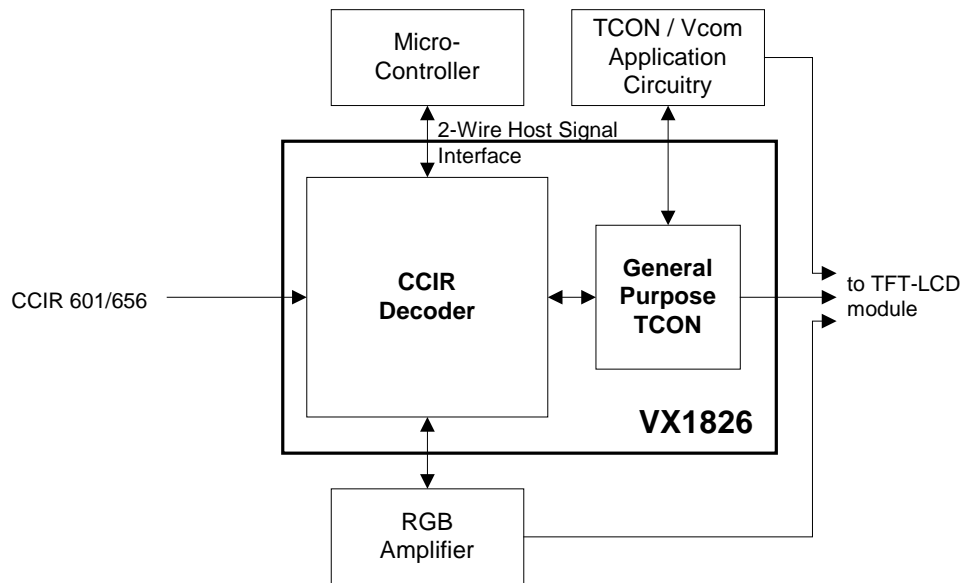
VX1826 is a high quality video processor IC for middle size LCD panel application. VX1826 accepts CCIR601/656 inputs, and then outputs R/G/B analog signals.

The output format of VX1826 directly supports 480/960/1200/1440/1920x234 analog TFT-LCD modules.



**Figure 2.1 Block Diagram**

### 3. APPLICATION



**4. PIN CONFIGURATION**
**LQFP48**
