

SHDSL MAGNETICS

S560-6600-KM

ELECTRICAL PARAMETERS (@25°C)

NOMINAL TURNS RATIO:
(1-5) : (9-7) 4.5 : 1
CONNECT TERMINAL 2 TO 4

DC RESISTANCE:
(9-7) 0.60 Ω MAX
(1-4) 1.60 Ω MAX
(2-5) 1.60 Ω MAX

INDUCTANCE @ 10 kHz, 0.1 Vrms:
(1-5) 3mH ±6%
CONNECT TERMINAL 2 TO 4

LEAKAGE INDUCTANCE:
(1-5) 25µH MAX
CONNECT TERMINAL 2 TO 4 & 9 TO 7

INTERWINDING CAPACITANCE
BETWEEN 1 & 9 100pF MAX
CONNECT TERMINAL 2 TO 4

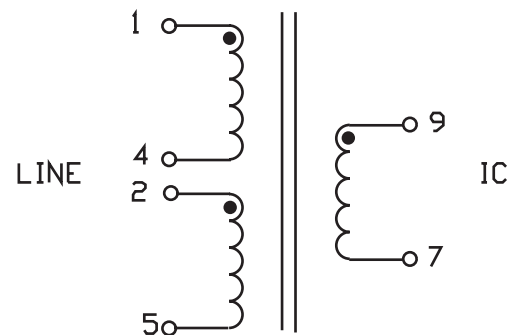
TOTAL HARMONIC DISTORTION:
3kHz, 1Vrms, 35 mA DC -78dB MAX

DIELECTRIC RATING:
BETWEEN (1-5) & (9-7) 1500 Vrms, 50Hz/60Hz

DESIGNED TO COMPLY WITH THE REQUIREMENTS OF UL1950 AND EN60950

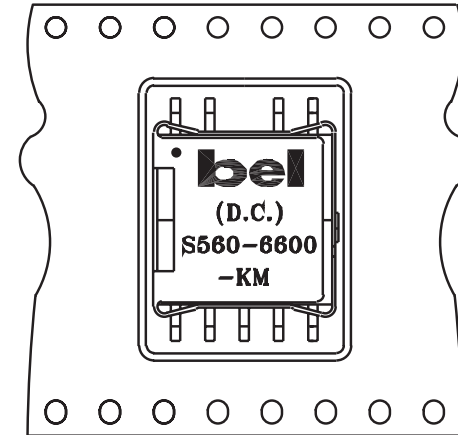
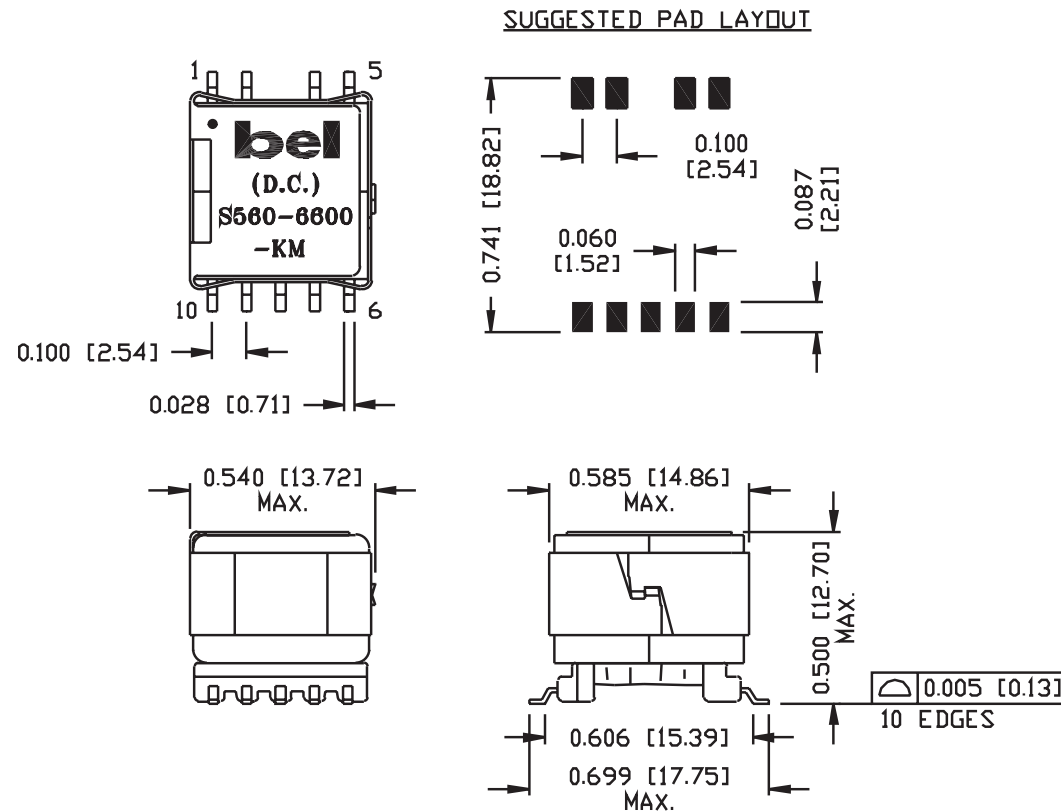
OPERATING TEMPERATURE RANGE: -40°C to +85°C

SCHEMATIC



SHDSL MAGNETICS

S560-6600-KM



➔ USER FEED DIRECTION

ORIENTATION OF COMPONENT INSIDE POCKET

TAPE WIDTH	32MM
POCKET PITCH	24MM
QUANTITY OF COMPONENTS PER REEL	200
PLASTIC REEL OUTER DIAMETER	13 INCHES
PLASTIC REEL HUB DIAMETER	4 INCHES
COMPLY WITH EIA 481-2-A	

NOTES:

1. STANDARD MARKING REFER TO DOC. HAND-WORK-04.
2. PACKAGE CODE: "WCS003".