

6

5

4

3

2

1

**MATERIAL:**

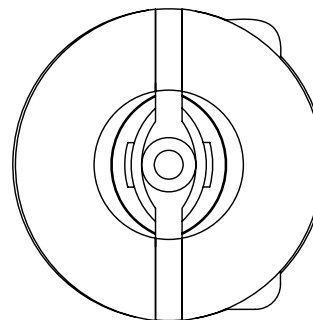
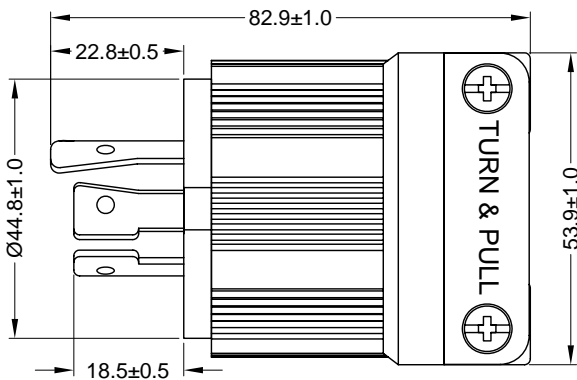
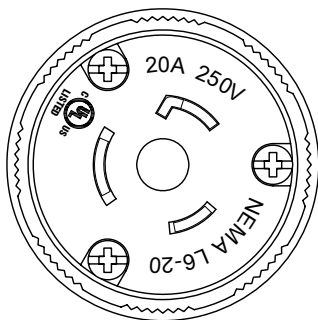
Housing & Cord Clamp: Nylon, color black  
Blade Holder & Terminal Retainer: Polycarbonate  
Blades: Brass

**ELECTRICAL SPECIFICATIONS:**

Rated current: 20A  
Rated voltage: 250VAC

APPROVALS:  **UL** US LISTED

**RoHS  
COMPLIANT**



REV	DATE	CHANGE	CHKG	CHECK	APPR

TOLERANCE UNLESS OTHERWISE SPECIFIED			
X	± 1		
X.X	± 0.4		
X.XX	± 0.13		
DRAWN BY	PB	DATE:	5/7/10
CHECK BY		DATE:	
APPR BY		DATE:	

<b>Power Dynamics, Inc.</b>	
Phone: 973 560-0019 Whippany, New Jersey Fax: 973 560-0076	
PART: NEMA L6-20P PLUG; 20A 250VAC ASSEMBLY TYPE	
PART #: <b>PD-L620P-B</b>	
SIZE: A	ALL DIMENSIONS FOR REFERENCE ONLY DIMENSIONS ARE IN MILLIMETERS
SCALE: NTS	
SHEET 1 of 1	REV:

6

5

4

3

2

1

D

C

B

A