

ORDERING INFORMATION

Device	Temperature Range	Package
MC1312P	0°C to +70°C	Plastic DIP
MC1314P	0°C to +70°C	Plastic DIP
MC1315P	0°C to +70°C	Plastic DIP

CBS SQ* LOGIC DECODER SYSTEM

... a matrix system designed to decode SQ encoded program material into four separate channels. This system conforms to specifications for decoding quadrasonic records produced by the largest record companies in the world.

MC1312P - DECODER

... consists of two high input impedance preamplifiers which are fed with left total, L_T , and right total, R_T , signals. The preamplifiers each feed two all-phase networks which generate two L_T signals in quadrature and two R_T signals in quadrature. The four signals are matrixed to yield left front, left back, right front, and right back signals (L_F' , L_B' , R_F' , R_B').

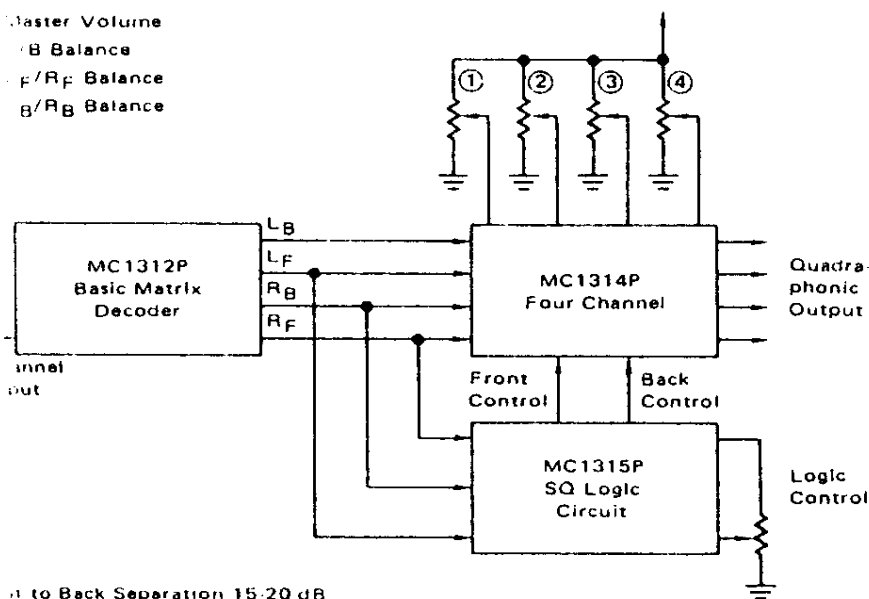
MC1314P - VOLTAGE CONTROLLED ATTENUATOR

... a gain control and balance adjustment unit for use with any quadrasonic system. It has four channels whose gain can be varied by an external dc voltage. In addition, the relative gain between channels can be set by 3 external dc voltages. Thus with four variable resistors the master volume L_F/R_F , L_B/R_B and F/B balance may be controlled.

MC1315P - LOGIC CIRCUIT

... provides the basic logic function to enhance the front to back separation in the CBS SQ four channel decoding system. This device is designed to interface with the MC1312 decoder and MC1314. The MC1315 provides dc logic enhancement control signals which extends the performance of the basic SQ system to the levels desired for top-of-the-line systems.

FIGURE 1 - SQ LOGIC DECODER SYSTEM



Mark of CBS Inc.

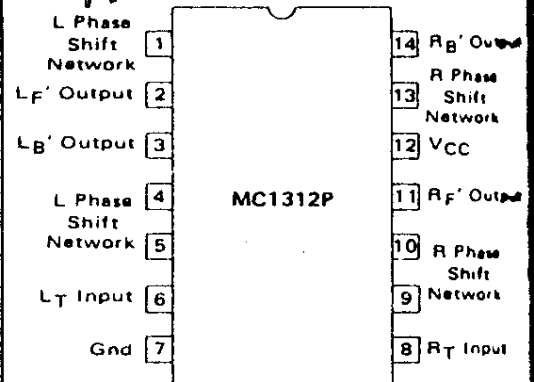
MC1312P MC1314P MC1315P

FOUR CHANNEL SQ LOGIC DECODER SYSTEM

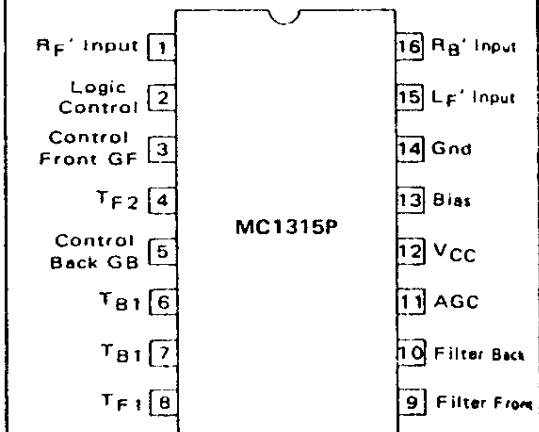
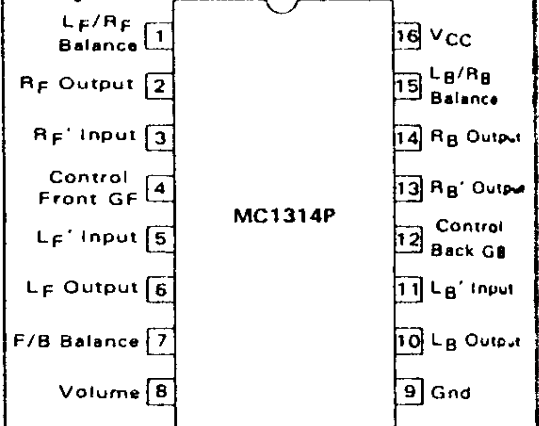
SILICON MONOLITHIC INTEGRATED CIRCUIT



P SUFFIX
PLASTIC PACKAGE
CASE 646



P SUFFIX
PLASTIC PACKAGE
CASE 648



This component is sold without patent indemnity and any infringement resulting from use or resale thereof shall be the sole responsibility of purchaser and shall not be the responsibility of Intel Corporation.

MAXIMUM RATINGS ($T_A = +25^\circ\text{C}$ unless otherwise noted.)

Rating	Value	Unit
Power Supply Voltage	25	Vdc
Power Dissipation @ $T_A = 25^\circ\text{C}$	750	mW
Derate above $+25^\circ\text{C}$	6.7	mW/ $^\circ\text{C}$
Operating Temperature Range	0 to +70	$^\circ\text{C}$
Storage Temperature Range	-65 to +150	$^\circ\text{C}$

ELECTRICAL CHARACTERISTICS ($V_{CC} = +20\text{ Vdc}$, $V_{in} = 0.5\text{ V(RMS)}$ @ 1 kHz, $T_A = +25^\circ\text{C}$ unless otherwise noted.)

Characteristic	Min	Typ	Max	Unit
Supply Current Drain	11	16	21	mA
Input Impedance	1.8	3.0	-	$\text{M}\Omega$
Output Impedance	-	5.0	-	$\text{k}\Omega$
Channel Balance (L_F/R_F)	-1.0	0	+1.0	dB
Relative Voltage Gain L_B/L_F' , R_B/R_F' , L_B'/R_F' , R_B'/R_F' <small>L_F' measurements made with L_T input, R_F' measurements made with R_T input.</small>	-2.0	-3.0	-4.0	dB
Maximum Input Voltage for 1%THD at Output R_T or L_T	2.0	-	-	V(RMS)
Total Harmonic Distortion R_T or L_T	-	0.1	-	%
Signal to Noise Ratio (Short-Circuit Input $V_O = 0.5\text{ V(RMS)}$ with Output Noise Referenced to Output Voltage, V_O) (BW = 20 Hz to 20 kHz)	-	80	-	dB

FIGURE 2 - MC1312P TEST CIRCUIT

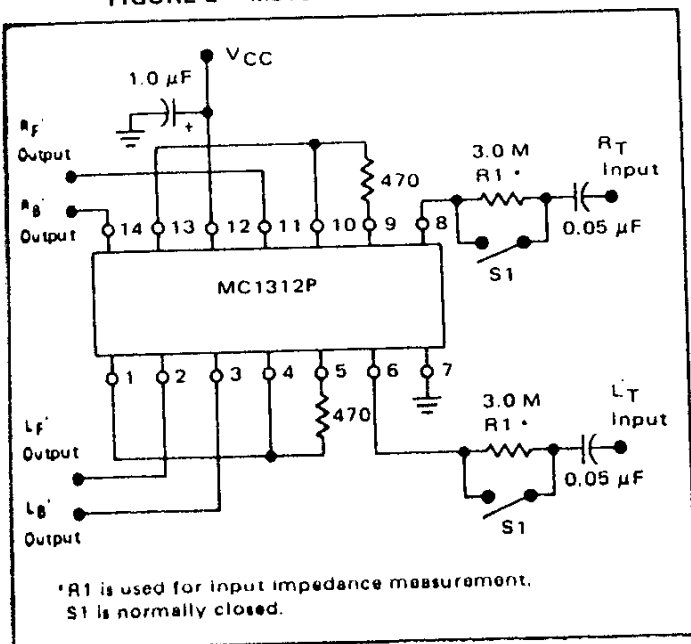
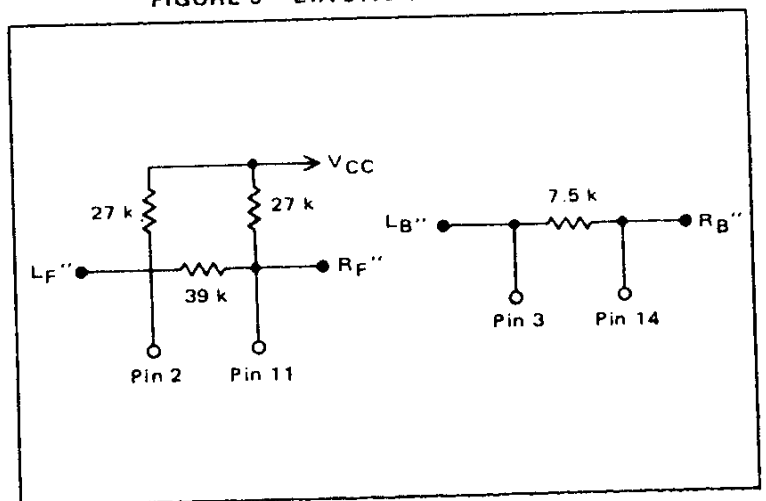


FIGURE 3 - EIA STANDARD BLEND

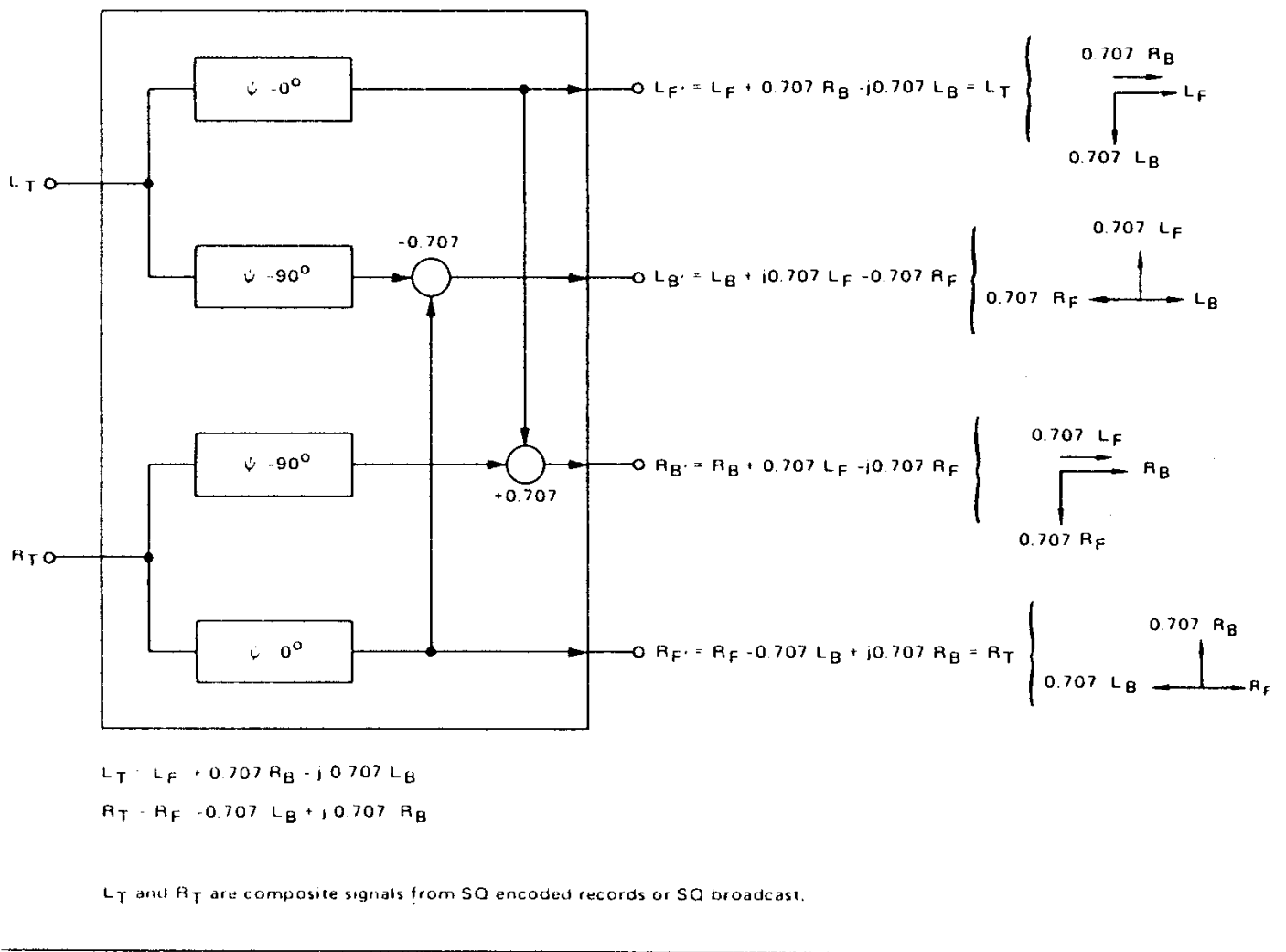


Note: In applications where tone arm pick-up is connected directly to the MC1312P inputs, a 300 k resistor should be inserted in series with R- (Pin 9) and L- (Pin 6) inputs.

IC1312P • CBS SQ DECODER UNIT

APPLICATIONS INFORMATION

FIGURE 4 – DECODING PROCESS DIAGRAM



The decoding process is shown schematically in Figure 4. The IC1312P circuit that performs this function consists of two preamplifiers which are fed with left total, L_T , and right total, R_T , signals. The preamplifiers each feed two all-pass* networks that are used to generate two L_T signals in quadrature and two R_T signals in quadrature. The four signals are matrixed to yield left-front, left-back, right-front, and right-back signals (L_F' , L_B' , R_F' , R_B').

The all-pass networks are of the Wein bridge form with the resistive arms realized in the integrated circuit and the RC arms formed by external components. The values shown in Figure 1 are for a 100-Hz to 10-kHz bandwidth and a phase ripple of $\pm 8.5^\circ$ at a 90° phase difference.

It is generally desirable to enhance center-front to center-back separation. This is accomplished by connecting a resistor between pins 2 and 11 (front outputs) and a resistor between pins 3 and 4 (back outputs). For a 10% front channel blending† and a 40% back channel blending†, 47 kilohms between pins 2 and 11 and

7.5 kilohms between pins 3 and 14 is required and results in the following equations:

$$^{\dagger} R_F'' = 0.912 L_T + 0.088 R_T$$

$$L_F'' = 0.912 R_T + 0.088 L_T$$

$$R_B'' = \frac{\sqrt{2}}{2} [0.714 (J R_T - L_T) + 0.286 (R_T - J L_T)]$$

$$L_B'' = \frac{\sqrt{2}}{2} [0.714 (J L_T - R_T) + 0.286 (L_T - J R_T)]$$

To meet the EIA matrix standards with 10/40 blend use the circuit of Figure 5, which results in the following equations:

$$R_F'' = 0.772 (0.995 R_T + 0.0972 L_T)$$

$$L_F'' = 0.772 (0.995 L_T + 0.0972 R_T)$$

$$R_B'' = \frac{\sqrt{2}}{2} (0.769) [0.928 (J R_T - L_T) + 0.372 (R_T - J L_T)]$$

$$L_B'' = \frac{\sqrt{2}}{2} (0.769) [0.928 (J L_T - R_T) + 0.372 (L_T - J R_T)]$$

*An all-pass network produces phase shift without amplitude variations.

314P • TYPICAL CHARACTERISTICS

RE 6 - ATTENUATION versus CONTROL VOLTAGE

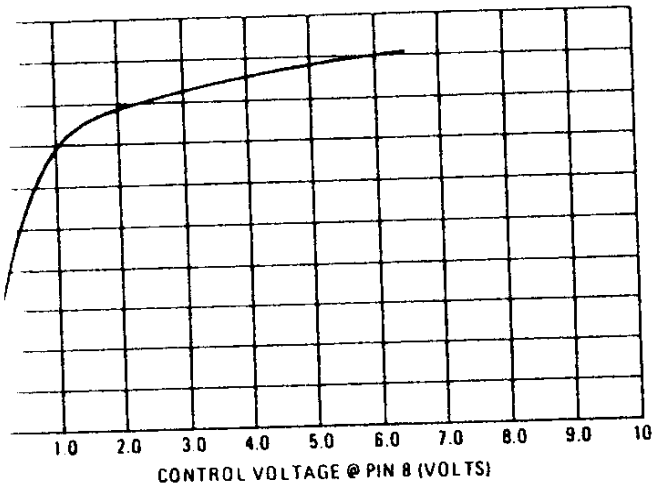
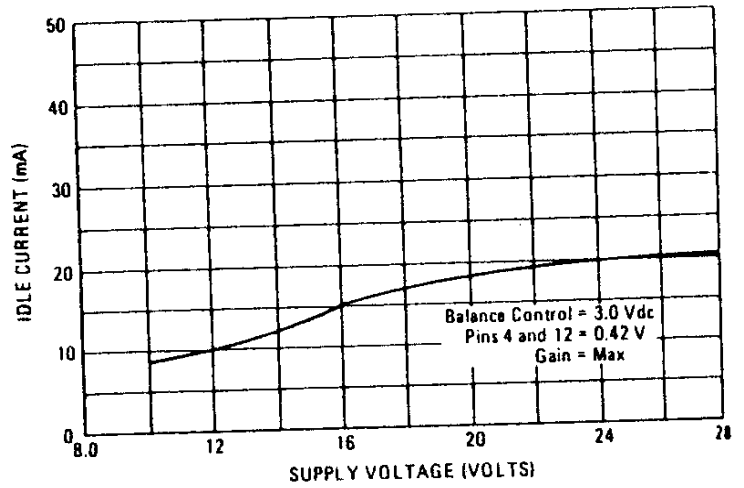


FIGURE 7 - IDLE CURRENT versus SUPPLY VOLTAGE



DISTORTION CHARACTERISTICS

FIGURE 8 - TOTAL HARMONIC DISTORTION versus ATTENUATION

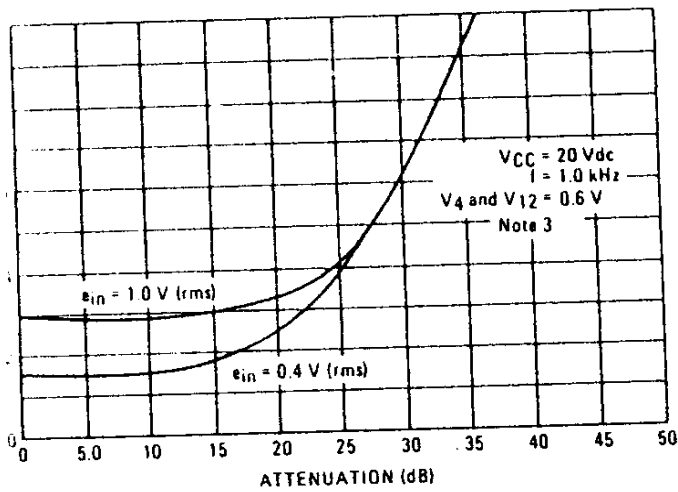


FIGURE 9 - INTERMODULATION DISTORTION versus INPUT VOLTAGE

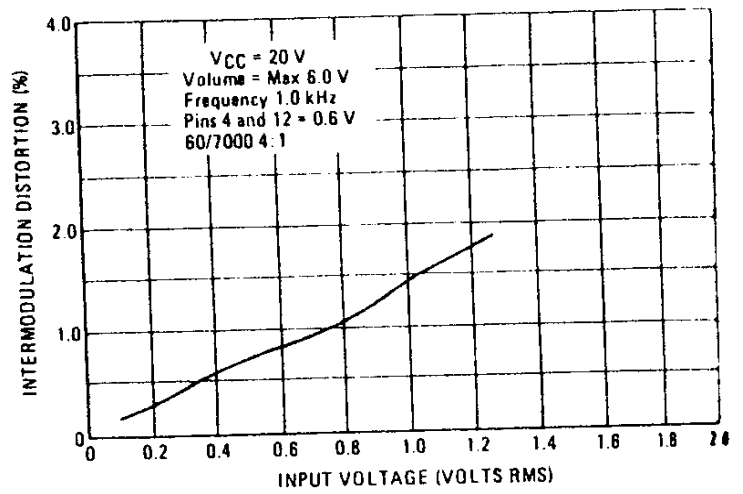


FIGURE 10 - TOTAL HARMONIC DISTORTION versus INPUT VOLTAGE

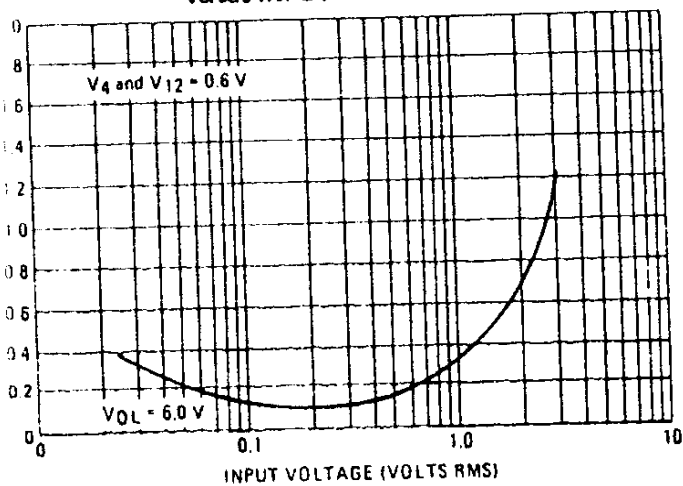
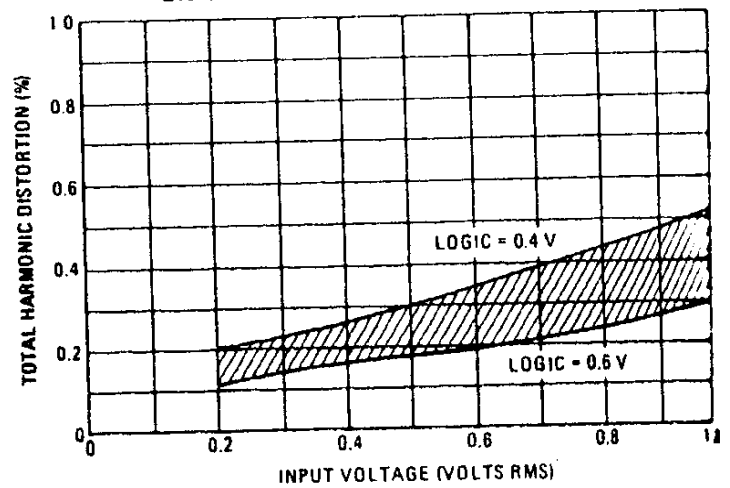


FIGURE 11 - LOGIC VOLTAGE EFFECTS ON TOTAL HARMONIC DISTORTION



MC1312P, MC1314P, MC1315P

MC1315P • DC LOGIC ENHANCEMENT CONTROL UNIT

MAXIMUM RATINGS ($T_A = +25^{\circ}\text{C}$ unless otherwise noted.)

Rating	Value	Unit
Supply Voltage (Note 1)	25	V
Input Signal Voltage	± 4.0	Vpk
Bias Terminal Current	± 2.0	mA
Output Current	± 2.0	mA
Power Dissipation @ $T_A = 25^{\circ}\text{C}$	750	mW
Derate above $+25^{\circ}\text{C}$	6.7	mW/ $^{\circ}\text{C}$
Operating Temperature Range	0 to +70	$^{\circ}\text{C}$
Storage Temperature Range	-65 to +150	$^{\circ}\text{C}$

ELECTRICAL CHARACTERISTICS ($T_A = +25^{\circ}\text{C}$, $V_{CC} = 20\text{ Vdc}$, Logic Control = 50%, $V_{IN} = 0.5\text{ Vrms}$, $f = 2.0\text{ kHz}$, unless otherwise noted, Note 1).

Characteristic	Min	Typ	Max	Unit
Supply Current (Pin 12) @ $V_{IN} = 0$	—	7.0	13	mA
@ $V_{IN} = 1.4\text{ Vrms}$	—	15	—	mA
Input Resistance @ Pin 1, 15, 16	—	20	—	$\text{k}\Omega$
Output Resistance @ Pin 3, 5	—	1.5	—	$\text{k}\Omega$
Paraphase Filter Resistance @ Pin 9, 10	—	4.0	—	$\text{k}\Omega$
Front-Back Logic Discharge Resistance @ Pin 7, 8	—	5.0	—	$\text{k}\Omega$
Bias Voltage (10 k to ground) @ Pin 13	—	1.4	—	Vdc
Logic Control Input Current @ Pin 2 ($V_2 = V_{13}$ or $V_2 = 0$)	—	± 0.5	—	mA
Quiescent Input Voltage ($V_{IN} = 0$) @ Pin 1, 15, 16	—	7.0	—	Vdc
Quiescent Output Voltage ($V_{IN} = 0$)	0.48	—	0.72	Vdc
Quiescent Output Offset ($V_{IN} = 0$)	—	± 0.02	± 0.1	Vdc
Relative Output Change				
Front output with L_B or R_B inputs or back output with L_F or R_F inputs	2.1	2.8	5.0	V/V
	7.5	9.0	14	dB
Back output with C_F input	1.9	2.5	3.5	V/V
	5.5	8.0	11	dB
Front output with L_F , C_F or R_F inputs or back output with L_B or R_B input	0.8	0.67	0.56	V/V
	2.2	3.5	5.0	dB
AGC Leveling - $V_{IN} = 1.4\text{ Vrms}$ to $V_{IN} = 50\text{ mVrms}$ (Note 2) Figure 8 (AGC1, AGC2)	—	1.0	3.0	dB
Quiescent Output Voltage at Max Logic (S_1 in Position 1, Figure 12) ($V_{IN} = 0$, $V_2 = V_{13}$)	0.45	—	0.83	Vdc
Max Logic Relative Output Change ($V_2 = V_{13}$)				
Front output with L_B or R_B inputs or back outputs with L_F , C_F or R_F inputs	—	5.0	—	V/V
	—	14	—	dB
Front output with L_F , C_F or R_F inputs or back outputs with L_B or R_B inputs	—	0.67	—	V/V
	—	3.5	—	dB

Note 1: When testing with well regulated supplies, current should be limited to 25 mA.

Note 2: For example, this is the decrease in the back control voltage, V_5 with a right front input signal as this signal is varied from 1.4 Vrms to 50 mVrms.

FIGURE 12 – MC1315P TEST CIRCUIT

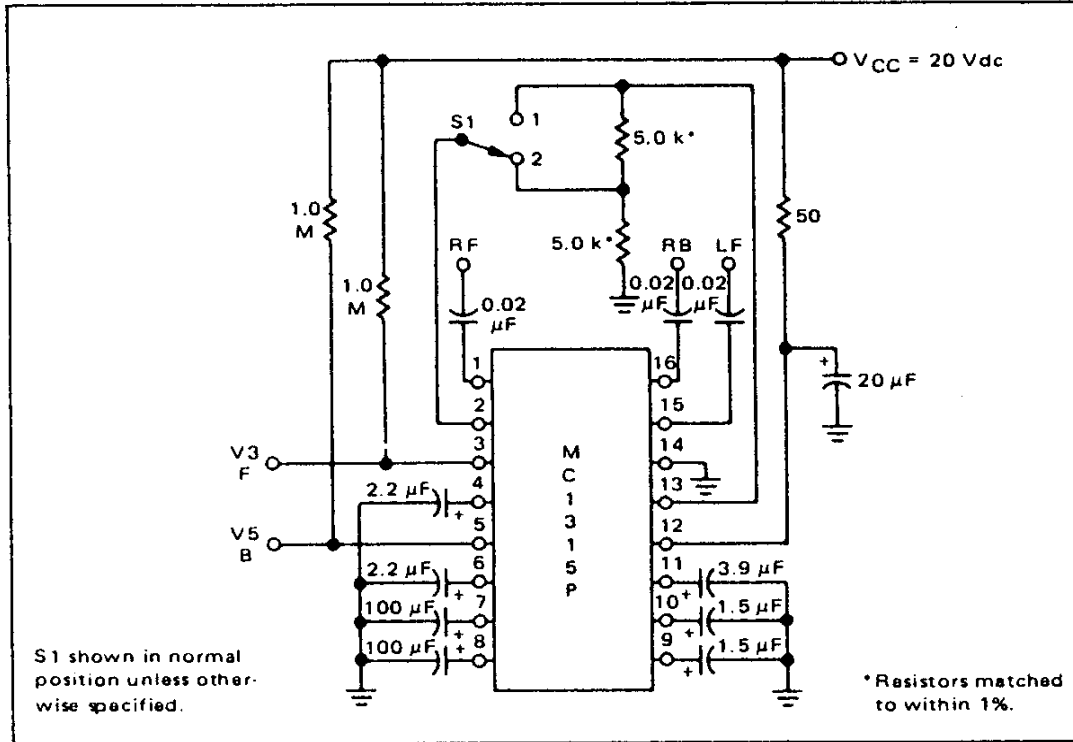


TABLE 1 – DEFINITION OF INPUT SIGNALS: (f = 2.0 kHz)

V _I Name	Signal Description	Apply To Pin	V _I Name	Signal Description	Apply To Pin
RF	0.5 V rms /0°	1	CF	0.35 V rms /0°	1
	0.35 V rms /-90°	16		0.35 V rms /-45°	16
	(1)	15		0.35 V rms /0°	15
LF	(1)	1			
	0.35 V rms /0°	16			
	0.5 V rms /0°	15			
LB	0.35 V rms /180°	1	AGC1	(1)	15
	(1)	16		1.0 V rms /-90°	16
	0.35 V rms /-90°	15		1.4 V rms /0°	1
RB	0.35 V rms /90°	1	AGC2	(1)	15
	0.5 V rms /0°	16		35 mV rms /-90°	16
	0.35 V rms /0°	15		50 mV rms /0°	1

(1) All unused inputs shall be ac grounded.

(2) This signal not used at present.

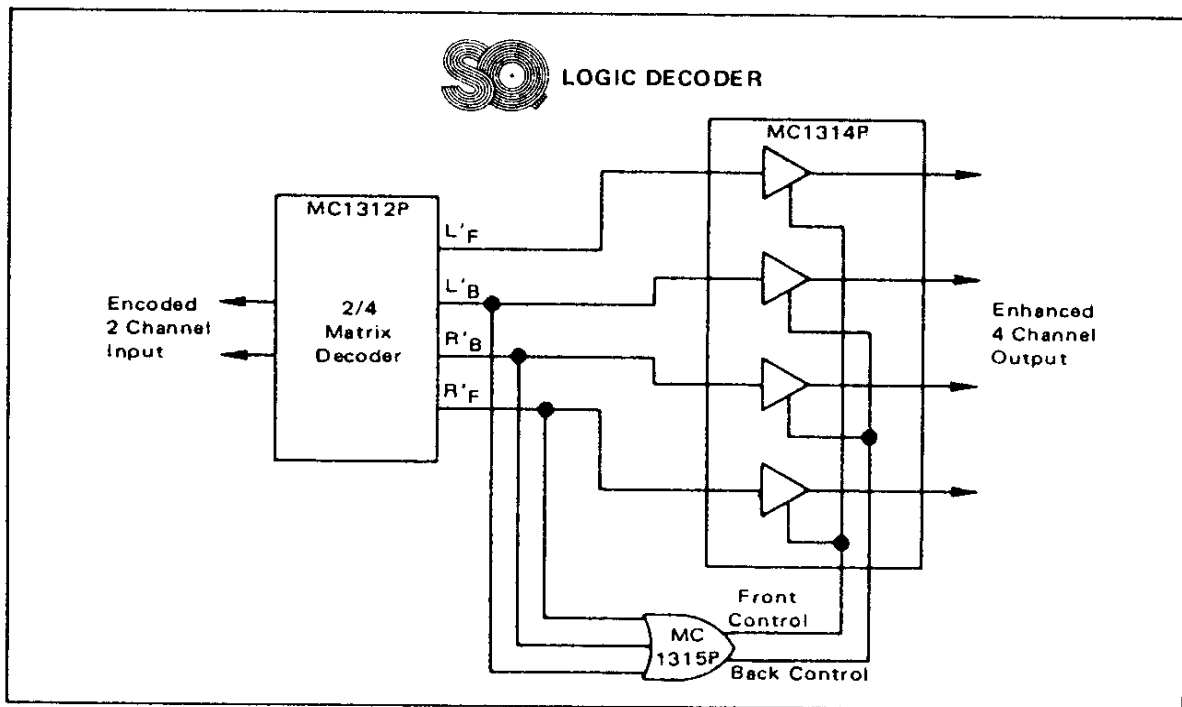
MC1312P, MC1314P, MC1315P

MC1315P • DC LOGIC ENHANCEMENT CONTROL UNIT

WHY LOGIC?

Enhances front to back separation from 6 dB to 20 dB.

Front-to-back separation of SQ material can be enhanced by the MC1315 logic circuit which detects the presence of dominant front or back signals and adjusts the front-back gain relationship of the MC1314P to enhance the relative gain of the dominant channels.



Front and back control voltages (from the MC1315P) are connected to the MC1314P. Although the relative gains of the front and back channels are altered with these control signals, they vary in a complementary manner to maintain constant power output from the MC1314P.

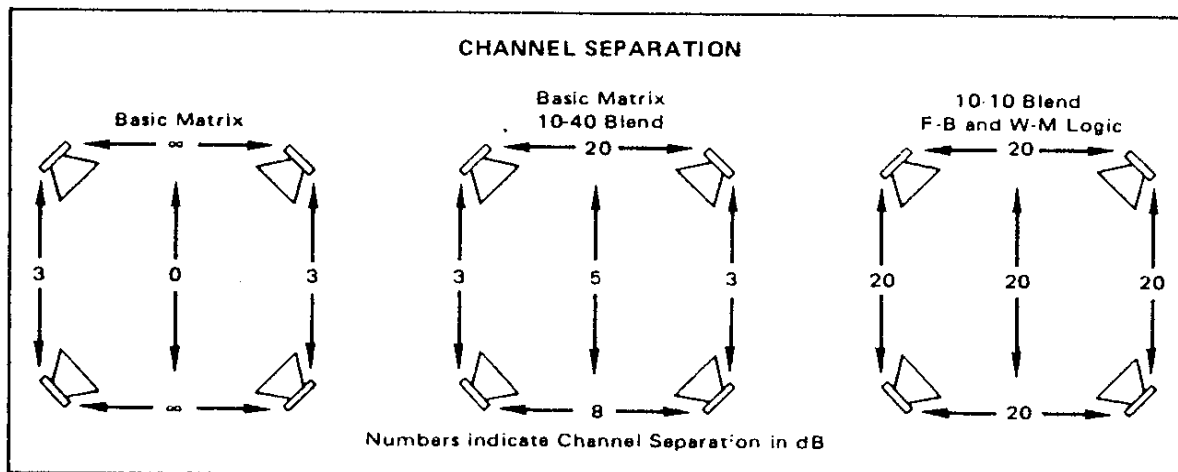


FIGURE 14 - CBS LOGIC SYSTEM WITH VARIABLE BLEND (L2a)

NOTES: (Unless otherwise specified)

1. Q1,2,3,4,9 are MPS-A18

2. Q5 is 2N5461

3. Q7,8,10 are MPS-A55

4. All Diodes are 1N456

5. Vol. Semi-Log; F/B Bal, Lf/Rf Bal;

Lg/Rg Bal, are 5k Linear Pots

6. All Capacitors Marked* are 5% Tolerance

7. Coupling Capacitor Value Depend on Load

of Following Circuit (1.0 μ F Nominal is Suggested).

8. Adjust 250 Ω Rheostat so that Q9 is Conducting

for an Input of $L_T = 0.5$ VRMS and

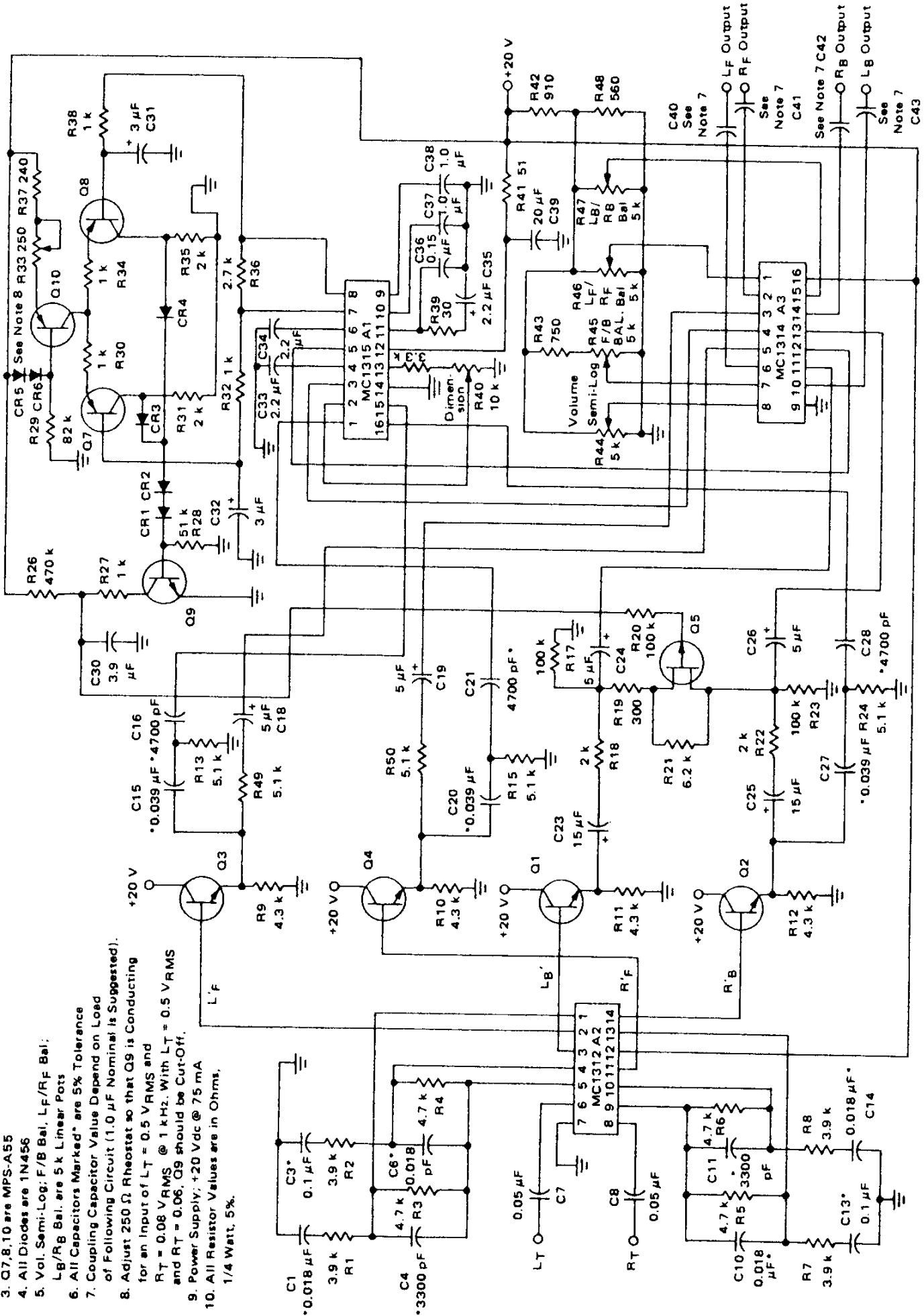
$R_T = 0.06$ VRMS @ 1 kHz. With $L_T = 0.5$ VRMS

and $R_T = 0.06$, Q9 should be Cut-Off.

9. Power Supply: +20 Vdc @ 75 mA

10. All Resistor Values are in Ohms,

1/4 Watt, 5%.



TYPICAL SYSTEM PERFORMANCE CHARACTERISTICS (MC1312P, MC1314P, MC1315P)

Power Supply Requirements:	60 mA (L1a), 75 mA (L2a) @ 20 V
Nominal Signal Level:	0.5 V
Maximum Input Voltage:	1.9 V
Input Impedance:	2 MΩ
Output Impedance:	2 kΩ
Total Harmonic Distortion:	0.2% at nominal input
at 1 Hz	1.0% at maximum input
Voltage Gain (at quiescent):	1.0
4 Channel Volume Control	Range - 70 dB
	Tracking - within 3 dB
4 Channel Balance Control:	-35 dB at -20 dB gain

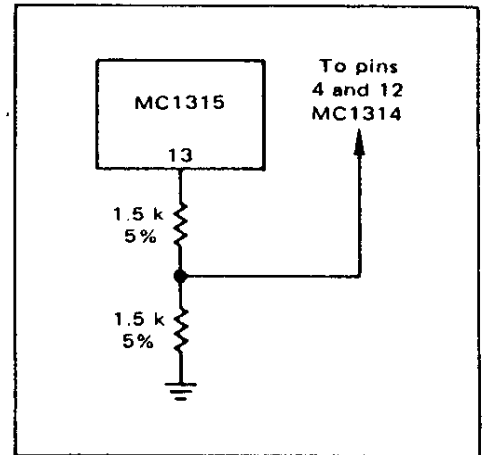
NOTES

MC1314P

1. If volume control is not used, connect Pin 8 to +6.0 V.
2. If balance controls are not used, open Pins 1, 7 and 15.
3. L_F/R_F and L_B/R_B balance controls can be ganged by connecting Pins 1 and 15.
4. Signal handling capability is reduced at maximum logic (20 dB front to back separation) unless $V_{CC} = 25 V$ on MC1314.

MC1315P

1. The logic control will provide enhancement of front to back separation from 6 dB typical to 20 dB max (15 dB typical at the recommended operating level of 50% control).
2. To defeat the logic use the circuit connections as shown on right.



SYSTEM CHARACTERISTICS

FIGURE 15 - GAIN versus F/B BALANCE

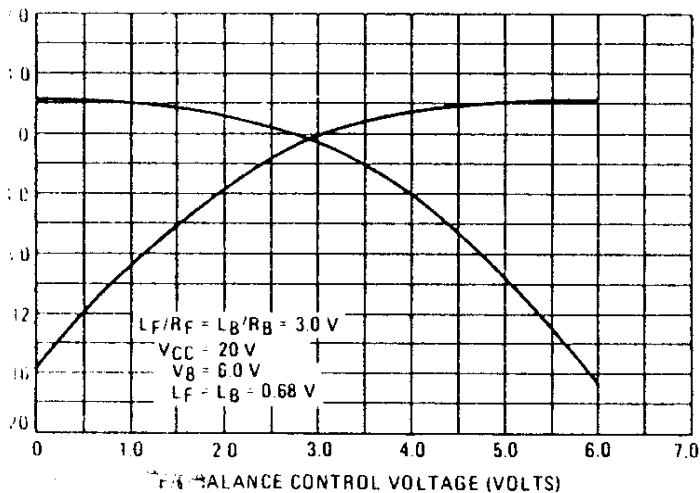
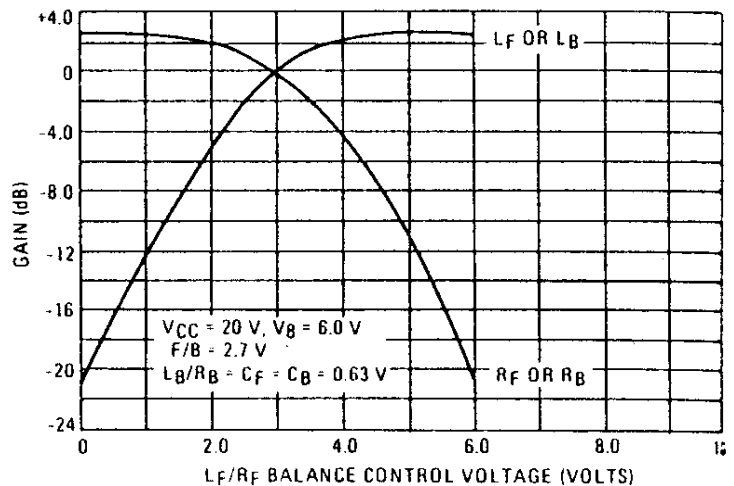


FIGURE 16 - GAIN versus L_F/R_F BALANCE CONTROL



MC1312P, MC1314P, MC1315P

Signal Definitions for Total System

Test signals shall have the following relative phase and amplitude characteristics.

Source Location	Input Signals	
	L _T	R _T
LF	1	0
CF	.71	.71
RF	0	1
LB	$.71/-90^\circ$	$.71/180^\circ$
RB	.71	$.71/90^\circ$

Where L_F is left front, R_B is right back, C_F is center front, etc.

1. System Tests: MC1312P, MC1314P, MC1315P

- L_F source - connect signal to L_T input, ac ground R_T input of MC1312P.
- R_F source - apply signal to R_T, ac ground L_T.
- C_F source - apply equal signals to L_T and R_T inputs.

NOTES: Balance control inputs of MC1314 may be opened for convenience or set for perfect balance with C_F and C_B inputs; set logic control to 50%: Max signal should be limited to 1.6 V_{rms} L_T or R_T: MC1314P outputs give system performance, typically 15 dB front back separation for corners, 12 dB for center front, center back.

2. Logic Circuit Tests: MC1315P

- L_F source - apply $L_{F'} = \sqrt{2} R_{B'}$, $R_{F'} = 0$; dc voltage at Pin 3 should decrease by 3 dB, at Pin 5 should increase by 9 dB.
- R_B source - apply $R_{F''} = \sqrt{2} R_{B'}$, $R_{F'} = 0$; dc voltage at Pin 3 should increase by 9 dB, at Pin 5 should decrease by 3 dB.

3. Voltage Controlled Amplifier Tests: MC1314P

- Volume control - with balance controls open or balanced, gain should be +0.5 dB at 6 V on Pin 8 and less than -60 dB at 0 V.
- Balance controls - with balance controls at Pins 1 and 15 at 15% of supply and Pin 7 at 13% of supply, system is nominally balanced. Taking Pin 1 to ground should increase L_F gain by 3 dB and decrease R_F gain by greater than 12 dB at maximum volume and 30 dB at lower volume levels.