

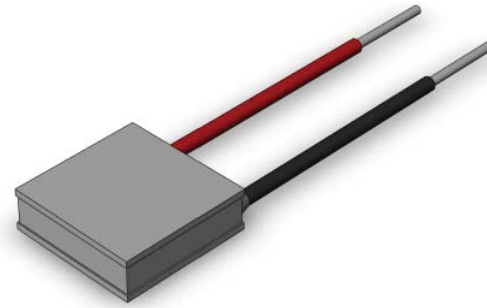


**PART NUMBER: CP60133**

**DESCRIPTION: PELTIER MODULE**

**FEATURES**

- solid state device
- small and lightweight
- precise temperature control
- quiet operation
- RoHS compliant



**INPUT**

parameter	conditions/description	min	nom	max	units
resistance	measured by AC 4-terminal method at 25°C	0.45	0.50	0.55	Ω
current	maximum current at ΔTmax			6	A
voltage	maximum voltage at ΔTmax			3.8	V

**OUTPUT**

parameter	conditions/description	min	nom	max	units
Qmax <sup>1</sup>	Th = 27°C			12.2	W
	Th = 50°C			13.6	W
ΔTmax <sup>2</sup>	Th = 27°C			66	°C
	Th = 50°C			72	°C

Notes: 1. Maximum cooling capacity at I<sub>max</sub>, V<sub>max</sub>, and ΔT = 0°C  
2. Maximum temperature difference at I<sub>max</sub>, V<sub>max</sub>, Q = 0 W (maximum parameters are measured in a vacuum)

**GENERAL**

parameter	conditions/description	min	nom	max	units
solder melting temperature	connection between thermoelectric pairs			138	°C
assembly compression				98.07	N/cm <sup>2</sup>
				10	kgf/cm <sup>2</sup>
hot side plate				90	°C
MTBF				200,000	hours

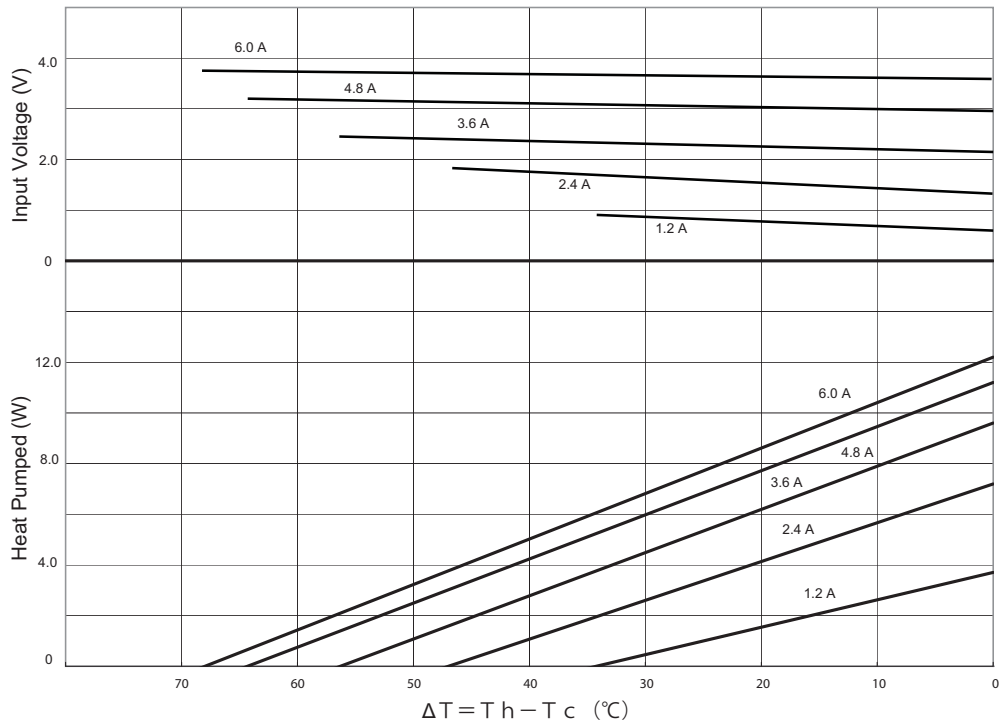
\*for further information and product selection refer to peltier application notes.pdf



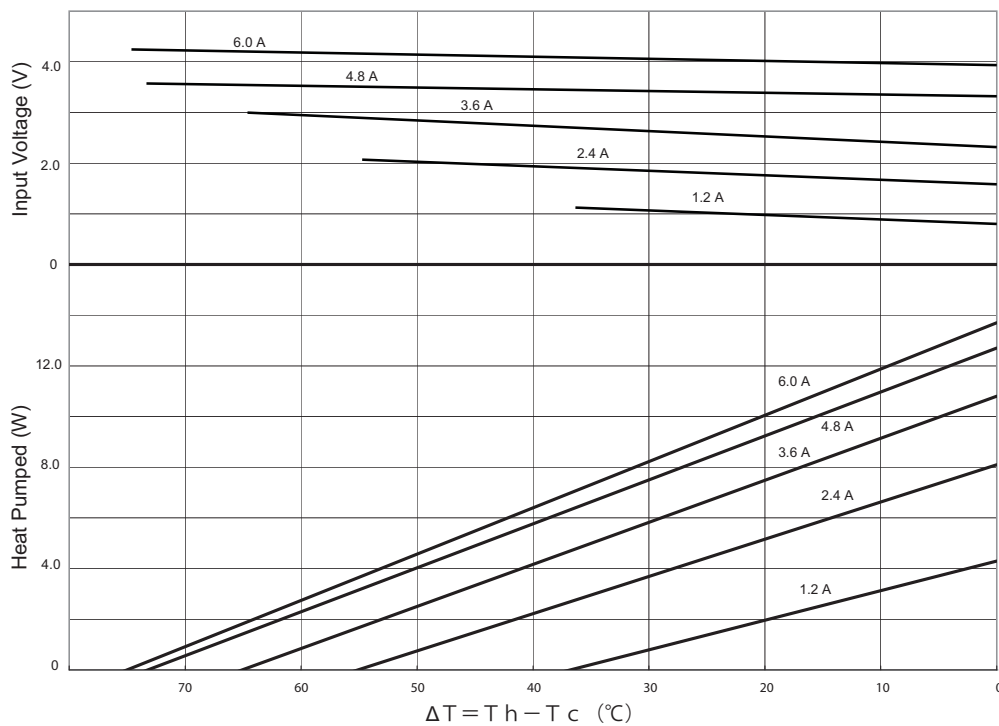
PART NUMBER: CP60133

DESCRIPTION: PELTIER MODULE

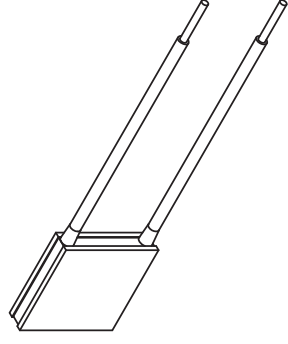
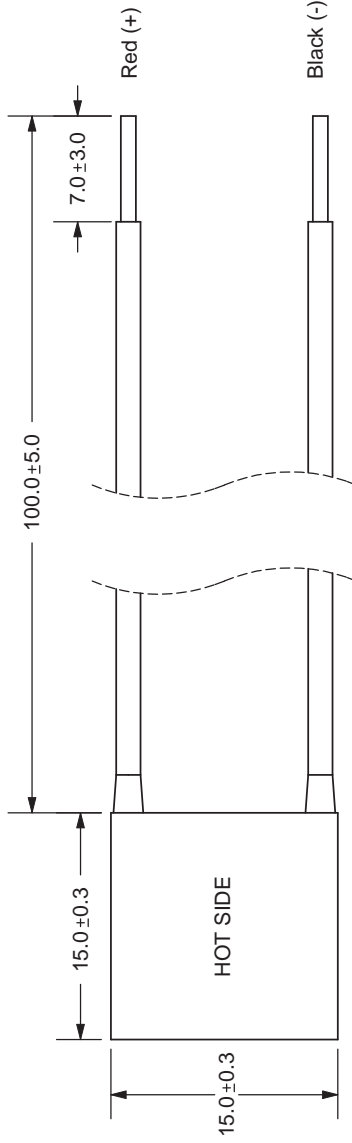
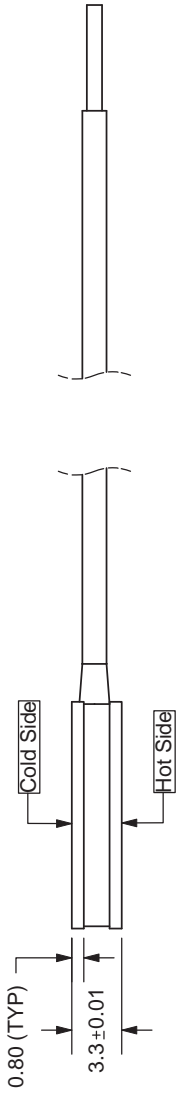
**PERFORMANCE (Th=27°C)**



**PERFORMANCE (Th=50°C)**



REV. A	DESCRIPTION NEW DRAWING	DATE 10/3/2007
-----------	----------------------------	-------------------



SCALE 1:1

TOLERANCE:  
±0.1mm UNLESS OTHERWISE  
NOTED



**CUI INC**

20050 SW 112th Ave.  
Tualatin, OR 97062  
Phone: 503-612-2300  
800-275-4899  
Fax: 503-612-2383  
Website: www.cui.com

TITLE: PELTIER MODULE	REV: A
PART NO. CP60133	UNITS: MM [INCHES]
DRAWN BY: ZRJ	APPROVED BY:
SCALE: 2:1	

CERAMIC PLATE	MATERIAL	PLATING
SEALER	Al <sub>2</sub> O <sub>3</sub> (Alumina)	White Color
LEAD WIRE	Silicon Rubber RTV	White Color
JOINT COVER	UL1332	Tin
	Silicon Rubber RTV	White Color

PC FILE NAME:  
CP60133

COPYRIGHT 2009 BY CUI INC.