

PLEASE CHECK WWW.MOLEX.COM FOR LATEST PART INFORMATION

Part Number: [0877597637](#)
Status: **Active**
Overview: milligrd
Description: 2.00mm (.079") Pitch Milli-Grid™ Header, Surface Mount, Vertical, 30 Circuits, 0.38µm (15µ") Gold (Au) Selective Plating, with Press-fit Plastic Pegs, with Pick-and-Place Cap, Tape and Reel Packaging, Lead-free

Documents:

[3D Model](#) [Product Specification PS-87761-100 \(PDF\)](#)
[Drawing \(PDF\)](#) [RoHS Certificate of Compliance \(PDF\)](#)

Agency Certification

UL E29179

General

Product Family PCB Headers
 Series [87759](#)
 Application Board-to-Board
 Overview [milligrd](#)
 Product Name Milli-Grid™

Physical

Breakaway Yes
 Circuits (Loaded) 30
 Circuits (maximum) 30
 Color - Resin Black
 Durability (mating cycles max) 100
 First Mate / Last Break No
 Flammability 94V-0
 Glow-Wire Compliant No
 Guide to Mating Part No
 Keying to Mating Part None
 Lock to Mating Part None
 Mated Height (in) 0.150 In
 Mated Height (mm) 3.80 mm
 Material - Metal Phosphor Bronze
 Material - Plating Mating Gold
 Material - Plating Termination Tin
 Material - Resin Nylon
 Number of Rows 2
 Orientation Vertical
 PCB Locator Yes
 PCB Retention None
 Packaging Type Embossed Tape on Reel
 Pitch - Mating Interface (in) 0.079 In
 Pitch - Mating Interface (mm) 2.00 mm
 Pitch - Term. Interface (in) 0.079 In
 Pitch - Term. Interface (mm) 2.00 mm
 Plating min: Mating (µin) 15
 Plating min: Mating (µm) 0.38
 Polarized to Mating Part No
 Polarized to PCB No
 Robotic Placement Pick and Place Cap
 Shrouded No
 Stackable Yes
 Temperature Range - Operating -55°C to +105°C

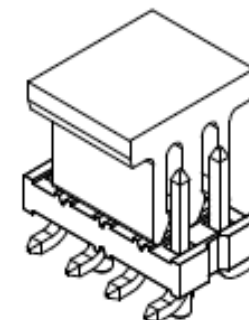


image - Reference only

Series

EU RoHS

ELV and RoHS Compliant
REACH SVHC Contains SVHC: No
Halogen-Free Status
Not Reviewed

China RoHS



Need more information on product environmental compliance?

Email productcompliance@molex.com
 For a multiple part number RoHS Certificate of Compliance, [click here](#)

Please visit the [Contact Us](#) section for any non-product compliance questions.

Search Parts in this Series

[87759Series](#)

Mates With

[79107](#) Milli-Grid™ Receptacle, Vertical, Through Hole. [79108](#) Milli-Grid™ Flex-to-Board, Vertical Receptacle. Milli-Grid™ Receptacle, Surface Mount. [79109](#). [87381](#)

Termination Interface: Style

Surface Mount

Electrical

Current - Maximum per Contact

2A

Voltage - Maximum

125V

Material Info

Reference - Drawing Numbers

Product Specification

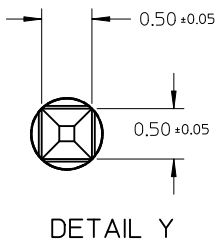
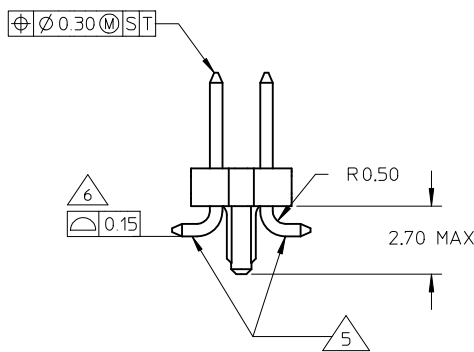
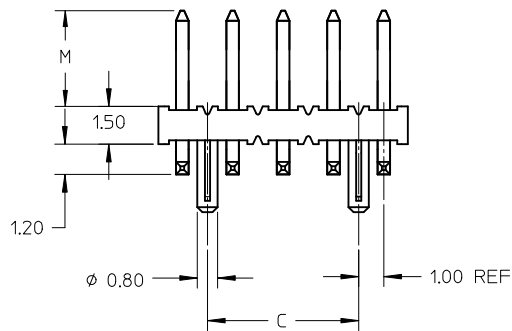
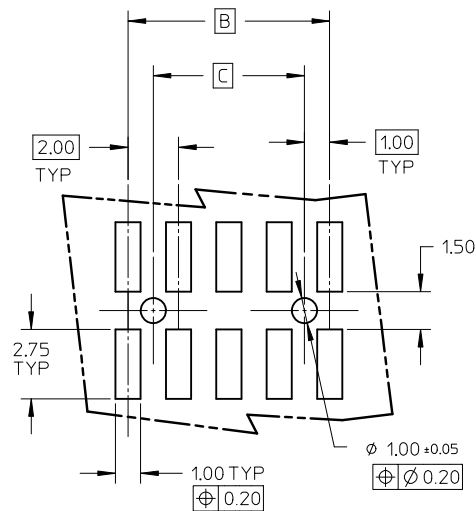
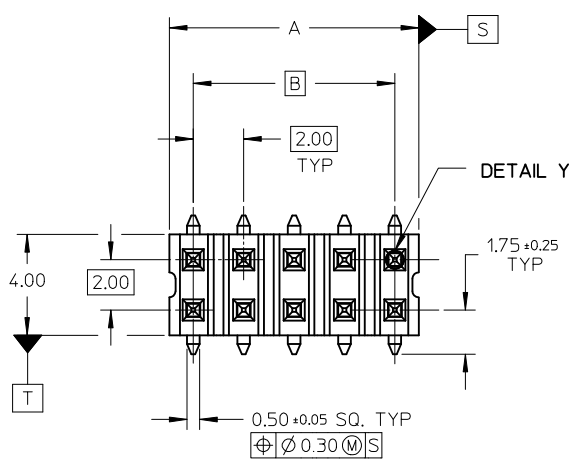
PS-87761-100

Sales Drawing

SD-87759-208

This document was generated on 05/25/2010

PLEASE CHECK WWW.MOLEX.COM FOR LATEST PART INFORMATION



NOTE:

1. MATERIAL:
HSG & CAP - NYLON, GLASS-FILLED,
UL 94V-0, COLOUR BLACK

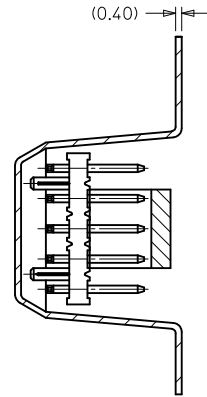
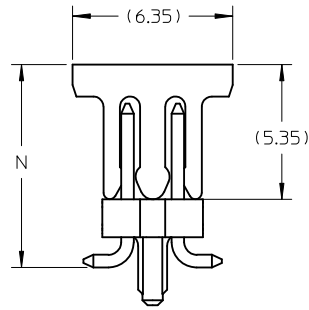
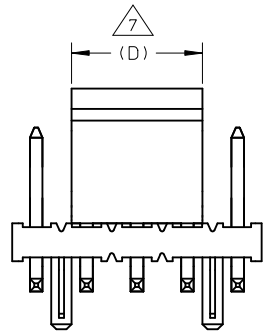
PIN - 0.50 SQ PHOSPHOR BRONZE
2. PLATING:
0.38um MIN GOLD PLATE AT CONTACT AREA,
TIN PLATE AT SOLDER AREA,
BOTH OVER NICKEL UNDERPLATE
3. PIN PUSHOUT FORCE: 1KG MIN IN EITHER DIRECTION
4. PRODUCT SPEC PS-87761-100 APPLIES.
- 5 BEND DEPRESSION IS ACCEPTABLE SO LONG AS IT DOES NOT AFFECT THE OVERALL COPLANARITY OF TAIL.
- 6 COPLANARITY IS TO BE MEASURED BY RESTING THE SOLDER TAIL ON A GAUGE SURFACE.
- 7 CAP TO BE LOCATED AS CENTRAL OF PART AS POSSIBLE TOP SURFACE OF CAP TO BE FLAT FOR THE PURPOSE OF PICK & PLACE BY VACUUM SUCTION NOZZLE.
8. FOR ILLUSTRATION PURPOSES, 10CKT IS SHOWN (WITH TAPE & REEL ON 2ND SHEET). SHT 3 INDICATES THE TYPE OF EMBOSSED USED IN GENERAL.
9. TUBE LENGTH IS 560MM REF STANDARD.
10. RECOMMENDED PCB BOARD THK IS 1.60±0.10 MM.

CHG DIM M. EWR#1191 EC NO: S2010-0237 DRW: NAI SEE CHK: DSKANG APPR: MLONG	2009/12/16 2009/12/17 2009/12/21	DESCRIPTION D3	QUALITY SYMBOLS	GENERAL TOLERANCES (UNLESS SPECIFIED)	DIMENSION STYLE	SCALE	DESIGN UNITS	THIRD ANGLE PROJECTION
			$F_A=0$ $F_C=0$ $F_P=0$	mm INCH 4 PLACES ± --- ± --- 3 PLACES ± --- ± --- 2 PLACES ± 0.2 ± --- 1 PLACE ± --- ± --- ANGULAR ± 3 °	MM ONLY	NTS	METRIC	
				DRAFT WHERE APPLICABLE MUST REMAIN WITHIN DIMENSIONS	DRAWN BY: KSEE DATE: 2003/12/22 CHECKED BY: DATE: APPROVED BY: MLONG DATE: 2009/12/17	TITLE	CUSTOM HEADER MGRID, 2MM DUAL ROW HDR WITH PEG, SMT	
				SEE TABLE	MATERIAL NO. DOCUMENT NO. SHEET NO. MOLEX INCORPORATED SD-87759-208 1 OF 4			

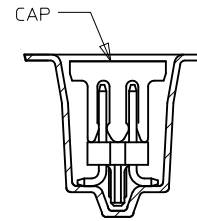
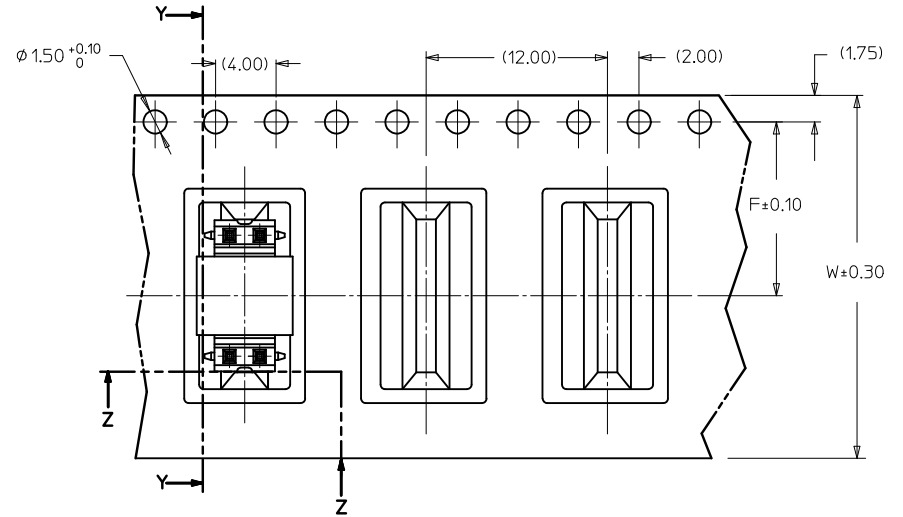
CAP TYPE	D
C1	5.20
C2	4.60

EMBOSSED TYPE "A"

PART WITH CAP IN TAPE & REEL ORIENTATION

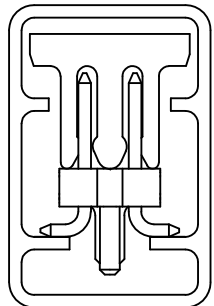
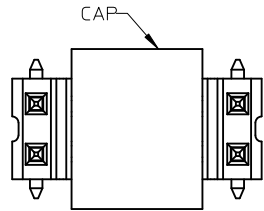


SECTION Y-Y



SECTION Z-Z

CUSTOMER PULL OUT
DIRECTION

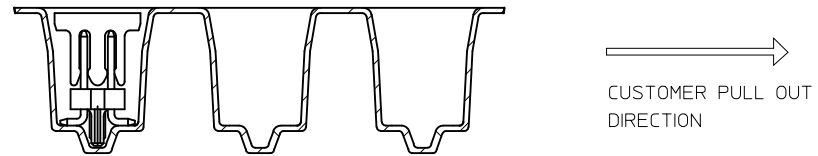
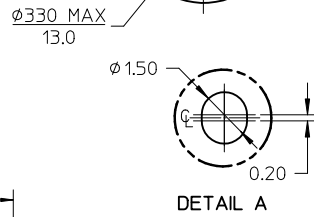
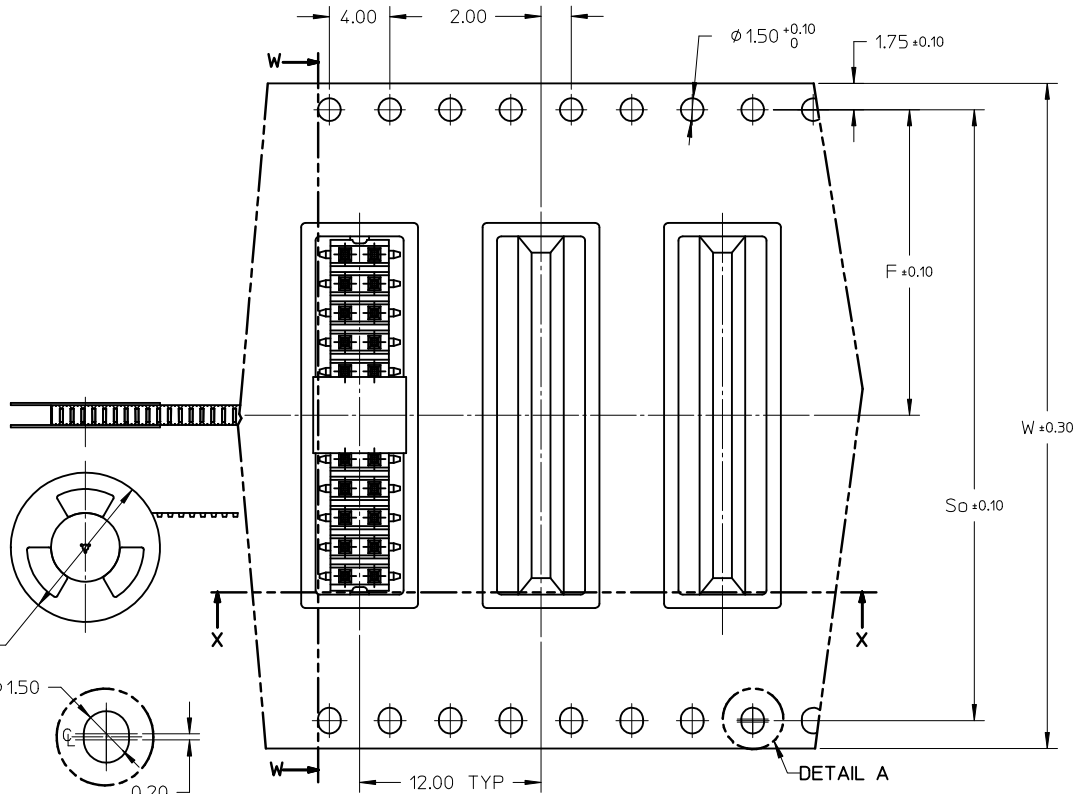
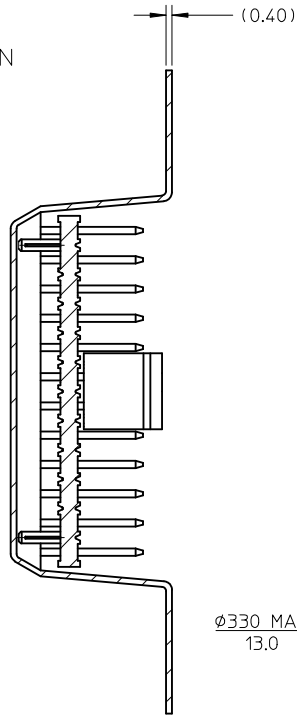


PART WITH CAP IN
TUBE ORIENTATION

CHG DIM M. EWR#1191 EC NO: S2010-0237 DRWN:ATSEE 2009/12/16 CHKD:SKANG 2009/12/17 APPR:MLONG 2009/12/21	DESCRIPTION REV	QUALITY SYMBOLS	GENERAL TOLERANCES (UNLESS SPECIFIED)		DIMENSION STYLE MM ONLY		SCALE NTS	DESIGN UNITS METRIC	THIRD ANGLE PROJECTION		
		$\nabla_A = 0$ $\nabla_C = 0$ $\nabla_P = 0$	mm	INCH	DRAWN BY KSEE	DATE 2003/12/22	TITLE CUSTOM HEADER MGRID, 2MM DUAL ROW HDR WITH PEG, SMT				
			4 PLACES	\pm ---	\pm ---	CHECKED BY KCL ING	DATE 2004/01/12	MOLEX INCORPORATED			
			3 PLACES	\pm ---	\pm ---	APPROVED BY MLONG	DATE 2009/12/17	MATERIAL NO. SEE TABLE		DOCUMENT NO. SD-87759-208	SHEET NO. 2 OF 4
DRAFT WHERE APPLICABLE MUST REMAIN WITHIN DIMENSIONS			ANGULAR $\pm 3^\circ$		THIS DRAWING CONTAINS INFORMATION THAT IS PROPRIETARY TO MOLEX INCORPORATED AND SHOULD NOT BE USED WITHOUT WRITTEN PERMISSION						

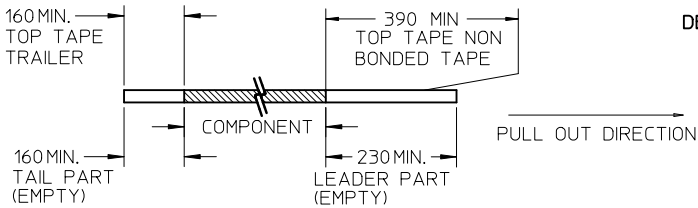
EMBOSSED TYPE "B"

PART WITH CAP IN
TAPE & REEL ORIENTATION

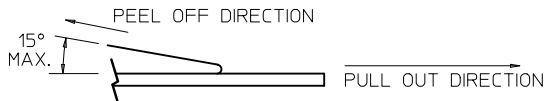


NOTES:

1. LEADER AND TRAILER TAPE



2. PEELING OFF FORCE OF THE TOP TAPE: 20-80gf.
(PEELING DIRECTION AS SHOWN IN FOLLOWING FIGURE)



- 3. TAPE AND REEL SPECIFICATION IS AS PER EIA-481.
- 4. TAPE AND REEL QUANTITY : 500 PCS/ REEL.
- 5. THE TAPE IS TREATED FOR ANTI-STATIC.

CHG DIM M. EWR#1191	DESCRIPTION
EC NO: S2010-0237	DRW:WATSEE
2009/12/16	CHKD:SKANG
2009/12/17	APPR:MLONG
2009/12/21	
D3	REV

QUALITY SYMBOLS	$\nabla_A = 0$
	$\nabla_C = 0$
$\nabla_B = 0$	
GENERAL TOLERANCES (UNLESS SPECIFIED)	
	mm INCH
4 PLACES	± --- ± ---
3 PLACES	± --- ± ---
2 PLACES	± 0.2 ± ---
1 PLACE	± --- ± ---
ANGULAR ± 3 °	
DRAFT WHERE APPLICABLE MUST REMAIN WITHIN DIMENSIONS	

DIMENSION STYLE		SCALE	DESIGN UNITS	THIRD ANGLE PROJECTION
MM ONLY		NTS	METRIC	
DRAWN BY	DATE	TITLE		
KSEE	2003/12/22	CUSTOM HEADER		
CHECKED BY	DATE	MGRID, 2MM DUAL ROW HDR		
KCL ING	2004/01/12	WITH PEG, SMT		
APPROVED BY	DATE	MOLEX INCORPORATED		
MLONG	2009/12/17	MOLEX INCORPORATED		
MATERIAL NO.		DOCUMENT NO.		SHEET NO.
SEE TABLE		SD-87759-208		3 OF 4
SIZE	THIS DRAWING CONTAINS INFORMATION THAT IS PROPRIETARY TO MOLEX INCORPORATED AND SHOULD NOT BE USED WITHOUT WRITTEN PERMISSION			
A3				

10	9	8	7	6	5	4	3	2	1				
PART NUMBER WITH CAP IN TUBE	PART NUMBER WITH CAP IN TAPE & REEL	CKT SIZE	A	B	C	M	N	F	So	W	EMBOSSSED TYPE	CAP TYPE	
87759-0876	87759-7626	08	7.90	6.00	4.00	3.80	8.05	11.50	-	24.00	A	C1	
87759-5276	87759-7648	08	7.90	6.00	4.00	8.80	13.00	11.50	-	24.00	A	C2	
87759-1076	87759-7627	10	9.90	8.00	6.00	3.80	8.05	11.50	-	24.00	A	C1	
87759-1276	87759-7628	12	11.90	10.00	8.00	3.80	8.05	11.50	-	24.00	A		
87759-1476	87759-7629	14	13.90	12.00	10.00	3.80	8.05	11.50	-	24.00	A		
87759-1676	87759-7630	16	15.90	14.00	12.00	3.80	8.05	14.20	28.40	32.00	B		
87759-1876	87759-7631	18	17.90	16.00	14.00	3.80	8.05	14.20	28.40	32.00	B		
87759-2076	87759-7632	20	19.90	18.00	16.00	3.80	8.05	20.20	40.40	44.00	B		
87759-2276	87759-7633	22	21.90	20.00	18.00	3.80	8.05	20.20	40.40	44.00	B		
87759-2476	87759-7634	24	23.90	22.00	20.00	3.80	8.05	20.20	40.40	44.00	B		
87759-2676	87759-7635	26	25.90	24.00	22.00	3.80	8.05	20.20	40.40	44.00	B		
87759-2876	87759-7636	28	27.90	26.00	24.00	3.80	8.05	20.20	40.40	44.00	B		
87759-3076	87759-7637	30	29.90	28.00	26.00	3.80	8.05	20.20	40.40	44.00	B		
87759-3276	87759-7638	32	31.90	30.00	28.00	3.80	8.05	26.20	52.40	56.00	B		
87759-3476	87759-7639	34	33.90	32.00	30.00	3.80	8.05	26.20	52.40	56.00	B		
87759-3676	87759-7640	36	35.90	34.00	32.00	3.80	8.05	26.20	52.40	56.00	B		
87759-3876	87759-7641	38	37.90	36.00	34.00	3.80	8.05	26.20	52.40	56.00	B		
87759-4076	87759-7642	40	39.90	38.00	36.00	3.80	8.05	26.20	52.40	56.00	B		
87759-4276	87759-7643	42	41.90	40.00	38.00	3.80	8.05	26.20	52.40	56.00	B		
87759-4476	87759-7644	44	43.90	42.00	40.00	3.80	8.05	26.20	52.40	56.00	B		
87759-4676	87759-7645	46	45.90	44.00	42.00	3.80	8.05	34.20	68.40	72.00	B		
87759-4876	87759-7646	48	47.90	46.00	44.00	3.80	8.05	34.20	68.40	72.00	B		
87759-5076	87759-7647	50	49.90	48.00	46.00	3.80	8.05	34.20	68.40	72.00	B		

CHG DIM M. EWR#1191 EC NO: S2010-0237 DRWN:ATSEE 2009/12/16 CHKD:SKANG 2009/12/17 APPR:MLONG 2009/12/21	QUALITY SYMBOLS	GENERAL TOLERANCES (UNLESS SPECIFIED)	DIMENSION STYLE MM ONLY	SCALE NTS	DESIGN UNITS METRIC	THIRD ANGLE PROJECTION	
	$\nabla_A=0$ $\nabla_C=0$ $\nabla_B=0$	mm	INCH	DRAWN BY KSEE	DATE 2003/12/22	TITLE CUSTOM HEADER	
		4 PLACES	± ---	± ---	CHECKED BY KCLING	DATE 2004/01/12	MGRID, 2MM DUAL ROW HDR WITH PEG, SMT
		3 PLACES	± ---	± ---	APPROVED BY MLONG	DATE 2009/12/17	MOLEX INCORPORATED
	2 PLACES	± 0.2	± ---	ANGULAR ± 3 °		MATERIAL NO. SEE TABLE	DOCUMENT NO. SD-87759-208
1 PLACE	± ---	± ---	DRAFT WHERE APPLICABLE MUST REMAIN WITHIN DIMENSIONS		SIZE A3	SHEET NO. 4 OF 4	