

**PLEASE CHECK WWW.MOLEX.COM FOR LATEST PART INFORMATION**

**Part Number:** [0872644053](#)  
**Status:** **Active**  
**Description:** 2.00mm (.079") Pitch Milli-Grid™ Receptacle, Side Entry, Through Hole, 0.76µm (30µ") Gold (Au) Selective, 40 Circuits, Leadfree

**Documents:**

[3D Model](#) [Product Specification PS-87264 \(PDF\)](#)  
[Drawing \(PDF\)](#) [RoHS Certificate of Compliance \(PDF\)](#)

**Agency Certification**

CSA LR19980  
 UL E29179

**General**

Product Family PCB Receptacles  
 Series [87264](#)  
 Application Board-to-Board  
 Product Literature Order No 987650-1991  
 Product Name Milli-Grid™

**Physical**

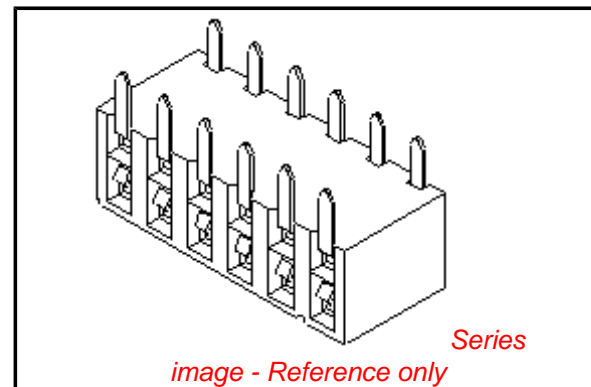
Circuits (Loaded) 40  
 Color - Resin Black  
 Durability (mating cycles max) 25  
 Flammability 94V-0  
 Glow-Wire Compliant No  
 Lock to Mating Part None  
 Material - Metal Phosphor Bronze  
 Material - Plating Mating Gold  
 Material - Plating Termination Tin  
 Material - Resin High Temperature Thermoplastic  
 Number of Rows 2  
 Orientation Right Angle  
 PC Tail Length (in) 0.100 In  
 PC Tail Length (mm) 2.55 mm  
 PCB Locator No  
 PCB Retention None  
 PCB Thickness Recommended (in) 0.062 In  
 PCB Thickness Recommended (mm) 1.60 mm  
 Packaging Type Tube  
 Pitch - Mating Interface (in) 0.079 In  
 Pitch - Mating Interface (mm) 2.00 mm  
 Plating min: Mating (µin) 30.4  
 Plating min: Mating (µm) 0.76  
 Plating min: Termination (µin) 101.6  
 Plating min: Termination (µm) 2.54  
 Polarized to PCB No  
 Surface Mount Compatible (SMC) Yes  
 Temperature Range - Operating -55°C to +105°C  
 Termination Interface: Style Surface Mount

**Electrical**

Current - Maximum per Contact 1A  
 Voltage - Maximum 125V

**Solder Process Data**

Lead-free Process Capability Wave Capable (TH only)



**EU RoHS**

**ELV and RoHS Compliant**  
**REACH SVHC Contains SVHC: No**  
**Halogen-Free Status**  
**Not Reviewed**

**China RoHS**



**Need more information on product environmental compliance?**

Email [productcompliance@molex.com](mailto:productcompliance@molex.com)  
 For a multiple part number RoHS Certificate of Compliance, [click here](#)

Please visit the [Contact Us](#) section for any non-product compliance questions.

**Search Parts in this Series**

[87264Series](#)

**Mates With**

[87758](#) , [87759](#) , [87760](#)

Process Temperature max. C 260

**Material Info**

**Reference - Drawing Numbers**

Product Specification

PS-87264

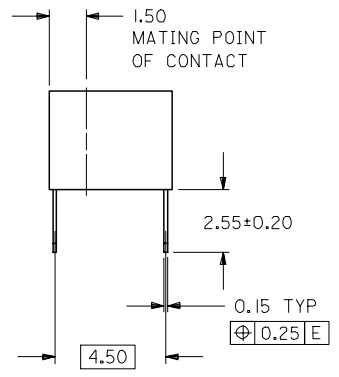
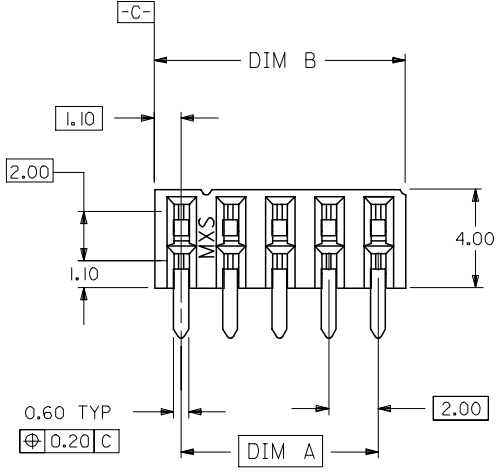
Sales Drawing

SD-87264-\*\*50

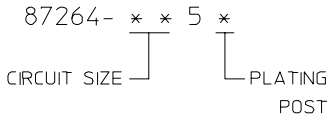
This document was generated on 03/18/2010

**PLEASE CHECK [WWW.MOLEX.COM](http://WWW.MOLEX.COM) FOR LATEST PART INFORMATION**

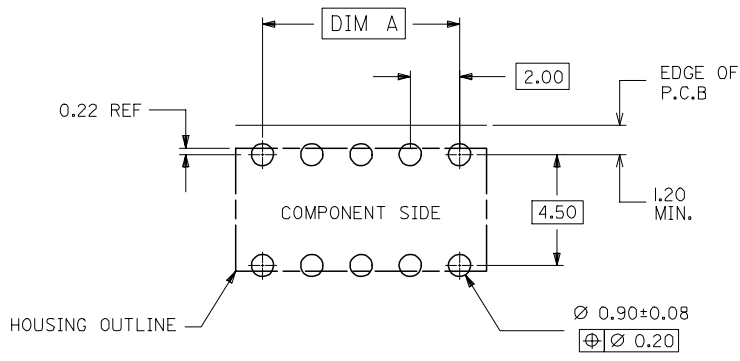
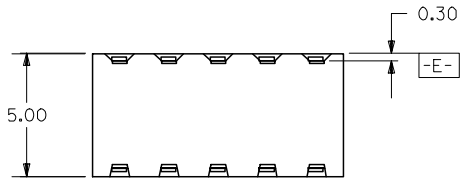
10 9 8 7 6 5 4 3 2 1



PART NO. LEGEND



- 2 - 0.38um/15uin MIN. GOLD PLATE IN SELECTED AREA AND 2.54um/100uin MIN. TIN IN SELECTED AREA OVER 1.27um/50uin NICKEL OVERALL ( IN TUBE).
- 3 - 0.76um/30uin MIN. GOLD PLATE IN SELECTED AREA AND 2.54um/100uin MIN. TIN IN SELECTED AREA OVER 1.27um/50uin NICKEL OVERALL ( IN TUBE).
- 8 - 0.38um/15uin MIN. GOLD PLATE IN SELECTED AREA AND 2.54um/100uin MIN. TIN IN SELECTED AREA OVER 1.27um/50uin NICKEL OVERALL. (IN TAPE/REEL)
- 9 - 0.76um/30uin MIN. GOLD PLATE IN SELECTED AREA AND 2.54um/100uin MIN. TIN IN SELECTED AREA OVER 1.27um/50uin NICKEL OVERALL. (IN TAPE/REEL)

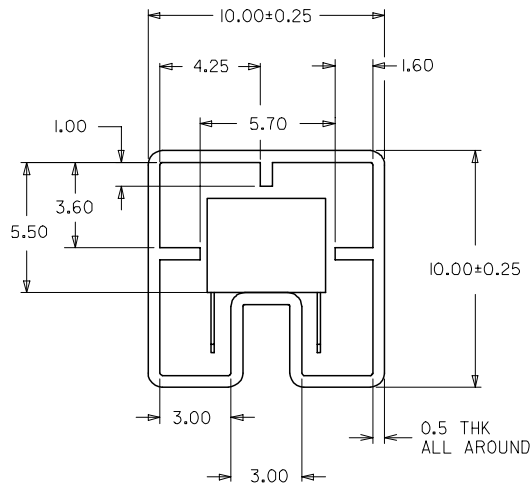
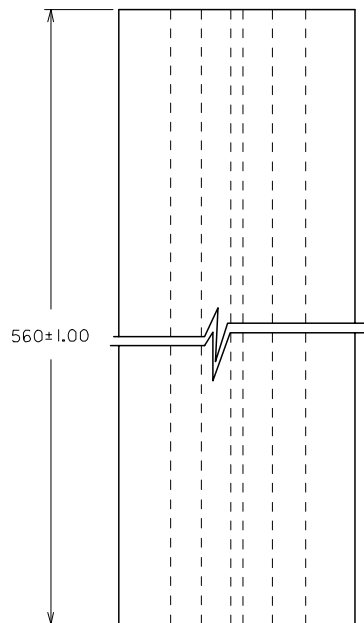


RECOMMENDED P.C. BOARD LAYOUT

- NOTES:
1. IO CIRCUIT SIZE SHOWN FOR ILLUSTRATION ONLY. SEE CHART FOR AVAILABLE PART SIZES.
  2. PLATING FINISH : TERMINAL - AS PER LEGEND
  3. RECOMMENDED PC BOARD THICKNESS IS 1.60 +/- 0.10mm.
  4. PRODUCT SPECIFICATION PS-87264 APPLIES.
  5. PART IS MATEABLE TO ALL MILLI-GRID HEADERS WITH MATING PIN LENGTH BETWEEN 2.50mm AND 4.20mm.
  6. TAPE & REEL OPTION IS SHOWN ON SHT 3 WITH 8 CKT ILLUSTRATION.
  7. PARTS SHALL BE PACKED IN MOISTURE BARRIER BAG.

|  |  |   |                         |                                       |  |       |              |                        |
|--|--|---|-------------------------|---------------------------------------|--|-------|--------------|------------------------|
| ADD NOTE 7.<br>EC NO: S2008-0422<br>DRWN:SKANG<br>CHKD:ATSEE<br>APPR:MLONG | 2007/11/20<br>2007/11/20<br>2007/11/22 | DESCRIPTION<br>REV  | QUALITY SYMBOLS         | GENERAL TOLERANCES (UNLESS SPECIFIED) | DIMENSION STYLE                                    | SCALE | DESIGN UNITS | THIRD ANGLE PROJECTION |
|  |  |   | ▽=0<br>◻=0              | mm      INCH                          | MM ONLY  | NTS   | METRIC       |                        |
|  |  |   | 4 PLACES ± ---    ± --- | DRAWN BY      DATE                    | TITLE  |       |              |                        |
|  |  |   | 3 PLACES ± ---    ± --- | JWAN      1992/02/25                  | MGRID, 2MM DUAL ROW HDR. SIDE ENTRY RECEPTACLE T/H |       |              |                        |
| 2 PLACES ± 0.2    ± ---  | CHECKED BY      DATE                   | MATERIAL NO.  |                         |                                       |  |       |              |                        |
| 1 PLACE ± ---    ± ---   | MLA1      1992/02/25                   | APPROVED BY      DATE   |                         |                                       |  |       |              |                        |
| ANGULAR ± 3 °  | RWONG      1992/02/25                  | MOLEX INCORPORATED  |                         |                                       |  |       |              |                        |
| DRAFT WHERE APPLICABLE MUST REMAIN WITHIN DIMENSIONS                       | SEE TABLE                              | DOCUMENT NO.  |                         |                                       |  |       |              |                        |
|  |  | SD-87264-***50  |                         |                                       |  |       |              |                        |
|  |  | SHEET NO.   |                         |                                       |  |       |              |                        |
|  |  | 1 OF 3  |                         |                                       |  |       |              |                        |
|  |  | THIS DRAWING CONTAINS INFORMATION THAT IS PROPRIETARY TO MOLEX INCORPORATED AND SHOULD NOT BE USED WITHOUT WRITTEN PERMISSION |                         |                                       |  |       |              |                        |

9 8 7 6 5 4 3 2 1

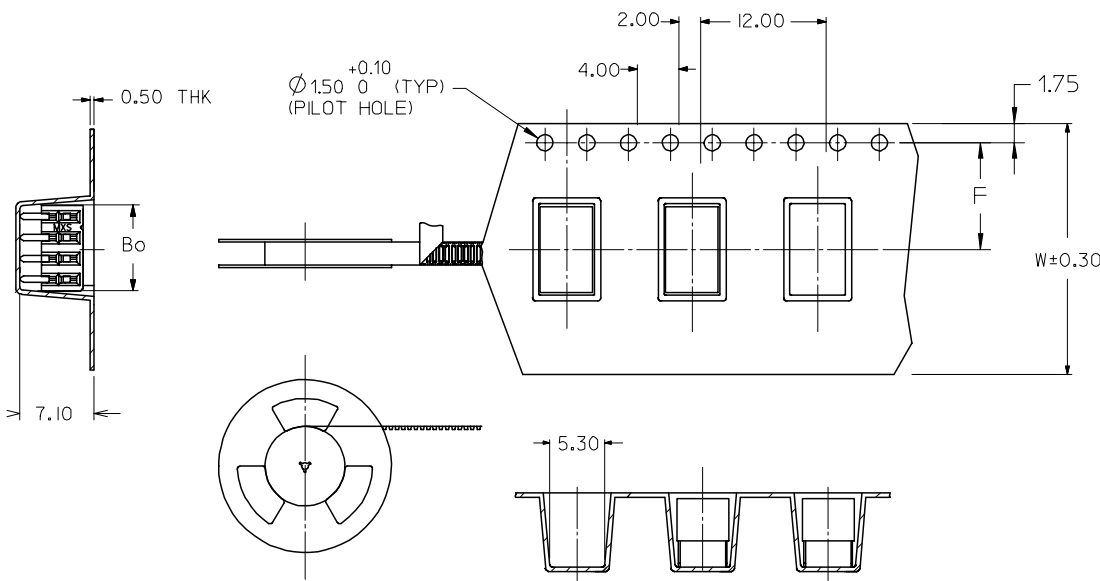


PART IN TUBE ORIENTATION.

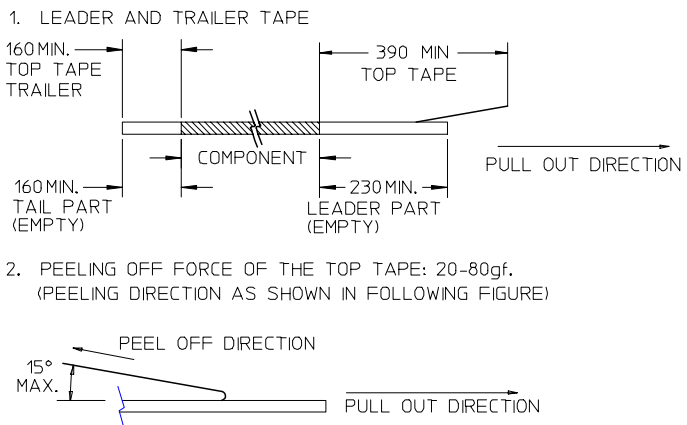
| PART NUMBER<br>0.38um GOLD<br>PLATING $\triangle_2$ | PART NUMBER<br>0.76um GOLD<br>PLATING $\triangle_2$ | CKT.<br>SIZE | DIM A | DIM B |
|---|---|--------------|-------|-------|
| 87264-065*  | 87264-065*  | 6            | 4.00  | 6.20  |
| 87264-085*  | 87264-085*  | 8            | 6.00  | 8.20  |
| 87264-105*  | 87264-105*  | 10           | 8.00  | 10.20 |
| 87264-125*  | 87264-125*  | 12           | 10.00 | 12.20 |
| 87264-145*  | 87264-145*  | 14           | 12.00 | 14.20 |
| 87264-165*  | 87264-165*  | 16           | 14.00 | 16.20 |
| 87264-185*  | 87264-185*  | 18           | 16.00 | 18.20 |
| 87264-205*  | 87264-205*  | 20           | 18.00 | 20.20 |
| 87264-225*  | 87264-225*  | 22           | 20.00 | 22.20 |
| 87264-245*  | 87264-245*  | 24           | 22.00 | 24.20 |
| 87264-265*  | 87264-265*  | 26           | 24.00 | 26.20 |
| 87264-285*  | 87264-285*  | 28           | 26.00 | 28.20 |
| 87264-305*  | 87264-305*  | 30           | 28.00 | 30.20 |
| 87264-325*  | 87264-325*  | 32           | 30.00 | 32.20 |
| 87264-345*  | 87264-345*  | 34           | 32.00 | 34.20 |
| 87264-365*  | 87264-365*  | 36           | 34.00 | 36.20 |
| 87264-385*  | 87264-385*  | 38           | 36.00 | 38.20 |
| 87264-405*  | 87264-405*  | 40           | 38.00 | 40.20 |
| 87264-425*  | 87264-425*  | 42           | 40.00 | 42.20 |
| 87264-445*  | 87264-445*  | 44           | 42.00 | 44.20 |
| 87264-465*  | 87264-465*  | 46           | 44.00 | 46.20 |
| 87264-485*  | 87264-485*  | 48           | 46.00 | 48.20 |
| 87264-505*  | 87264-505*  | 50           | 48.00 | 50.20 |

|   |  |                                       |  |                            |                      |   |  |                                |                     |  |
|---|--|---------------------------------------|--|----------------------------|----------------------|---|--|--------------------------------|---------------------|--|
| ADD NOTE 7.<br>EC NO: S2008-0422<br>DRWNS:KANG 2007/11/20<br>CHKD:ATSEE 2007/11/20<br>APPR:MLONG 2007/11/22 | QUALITY SYMBOLS<br>$\blacktriangledown = 0$<br>$\triangle = 0$ | GENERAL TOLERANCES (UNLESS SPECIFIED) |  | DIMENSION STYLE<br>MM ONLY |                      | SCALE<br>NTS  | DESIGN UNITS<br>METRIC   | THIRD ANGLE PROJECTION         |                     |  |
|   |  |                                       | mm   | INCH                       | DRAWN BY<br>JWAN     | DATE<br>1992/02/25  | MGRID, 2MM DUAL ROW HDR.<br>SIDE ENTRY RECEPTACLE<br>T/H<br>MOLEX INCORPORATED |                                |                     |  |
|   |  | 4 PLACES                              | ± ---  | ± ---                      | CHECKED BY<br>MLA1   | DATE<br>1992/02/25  |  |                                |                     |  |
|   |  | 3 PLACES                              | ± ---  | ± ---                      | APPROVED BY<br>RWONG |   | DATE<br>1992/02/25   | DOCUMENT NO.<br>SD-87264-***50 | SHEET NO.<br>2 OF 3 |  |
| 2 PLACES  | ± 0.2  | ± ---                                 | DRAFT WHERE APPLICABLE<br>MUST REMAIN<br>WITHIN DIMENSIONS |                            | SIZE<br>A3           | THIS DRAWING CONTAINS INFORMATION THAT IS PROPRIETARY TO MOLEX INCORPORATED AND SHOULD NOT BE USED WITHOUT WRITTEN PERMISSION |  |                                |                     |  |
| 1 PLACE   | ± ---  | ± ---                                 | ANGULAR ± 3°   |                            |                      |   |  |                                |                     |  |

|   |   |             |       |       |        |
|---|---|-------------|-------|-------|--------|
| PART NUMBER<br>0.38um GOLD<br>PLATING $\triangle_2$<br>(IN TAPE/REEL) | PART NUMBER<br>0.76um GOLD<br>PLATING $\triangle_2$<br>(IN TAPE/REEL) | CKT<br>SIZE | DIM W | DIM F | DIM Bo |
| 87264-085*  | 87264-085*  | 8           | 24.00 | 11.50 | 8.80   |



NOTES:



- 3. PACKAGING STANDARD IS AS PER EIA-481.
- 4. TAPE & REEL QUANTITY = 600PCS/REEL

CUSTOMER PULL OUT DIRECTION →

| <b>ADD NOTE 7.</b><br>EC NO: S2008-0422<br>DRWNS:KANG 2007/11/20<br>CHKD:ATSEE 2007/11/20<br>APPR:MLONG 2007/11/22 | QUALITY SYMBOLS   | GENERAL TOLERANCES (UNLESS SPECIFIED)   | DIMENSION STYLE                | SCALE   | DESIGN UNITS | THIRD ANGLE PROJECTION |       |       |          |       |       |          |       |       |         |       |       |         |     |        |  |
|--|---|---|--------------------------------|---|--------------|------------------------|-------|-------|----------|-------|-------|----------|-------|-------|---------|-------|-------|---------|-----|--------|--|
|  | $\nabla=0$<br>$\triangle=0$   | <table border="1"> <tr> <th></th> <th>mm</th> <th>INCH</th> </tr> <tr> <td>4 PLACES</td> <td>± ---</td> <td>± ---</td> </tr> <tr> <td>3 PLACES</td> <td>± ---</td> <td>± ---</td> </tr> <tr> <td>2 PLACES</td> <td>± 0.2</td> <td>± ---</td> </tr> <tr> <td>1 PLACE</td> <td>± ---</td> <td>± ---</td> </tr> </table> |                                | mm  | INCH         | 4 PLACES               | ± --- | ± --- | 3 PLACES | ± --- | ± --- | 2 PLACES | ± 0.2 | ± --- | 1 PLACE | ± --- | ± --- | MM ONLY | NTS | METRIC |  |
|  |   | mm  | INCH                           |   |              |                        |       |       |          |       |       |          |       |       |         |       |       |         |     |        |  |
|  | 4 PLACES  | ± ---   | ± ---                          |   |              |                        |       |       |          |       |       |          |       |       |         |       |       |         |     |        |  |
| 3 PLACES   | ± ---   | ± ---   |                                |   |              |                        |       |       |          |       |       |          |       |       |         |       |       |         |     |        |  |
| 2 PLACES   | ± 0.2   | ± ---   |                                |   |              |                        |       |       |          |       |       |          |       |       |         |       |       |         |     |        |  |
| 1 PLACE  | ± ---   | ± ---   |                                |   |              |                        |       |       |          |       |       |          |       |       |         |       |       |         |     |        |  |
| DRAWN BY: JWAN<br>CHECKED BY: MLA1<br>APPROVED BY: RWONG<br>DATE: 1992/02/25                                       | TITLE: MGRID, 2MM DUAL ROW HDR. SIDE ENTRY RECEPTACLE T/H<br>MOLEX INCORPORATED | MATERIAL NO.<br>SEE TABLE   | DOCUMENT NO.<br>SD-87264-**-50 | SHEET NO.<br>3 OF 3   |              |                        |       |       |          |       |       |          |       |       |         |       |       |         |     |        |  |
| REV 1  | DESCRIPTION   | DRAFT WHERE APPLICABLE MUST REMAIN WITHIN DIMENSIONS  | SIZE A3                        | THIS DRAWING CONTAINS INFORMATION THAT IS PROPRIETARY TO MOLEX INCORPORATED AND SHOULD NOT BE USED WITHOUT WRITTEN PERMISSION |              |                        |       |       |          |       |       |          |       |       |         |       |       |         |     |        |  |