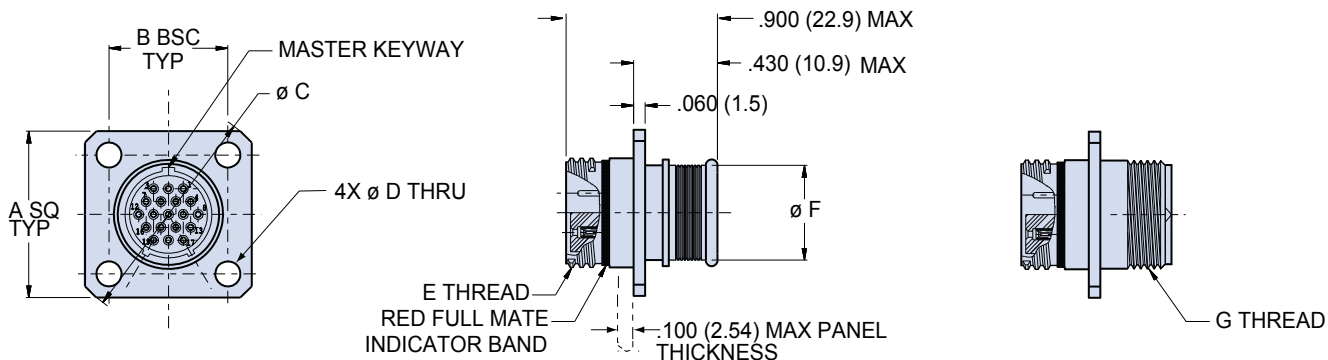




801-037-02 and 801-040-02
Series 801 Mighty Mouse *High-Speed*
Double-Start ACME Threads
-02 Square Flange Receptacle Dimensions



Integral Band Platform
801-037-02

Accessory Thread
801-040-02

Dimensions

Shell Size	A		B BSC		ø C		ø D		E Thread	ø F		G Thread UNEF-2A
	In.	mm.	In.	mm.	In.	mm.	In.	mm.		In.	mm.	
							±.003	±.08				
6	.590	14.99	.423	10.74	.750	19.05	.093	2.36	.375-.05P-.1L-2A	.290	7.37	.3125-32
7	.650	16.51	.483	12.27	.850	21.59	.093	2.36	.4375-.05P-.1L-2A	.390	9.91	.4375-28

Series 801 Panel Cutout

Shell Size	ø A		ø B		ø C	
	In.	mm.	In.	mm.	In. ±.003	mm. ±.08
	6	.390	9.91	.423	10.74	.093
7	.450	11.43	.483	12.27	.093	2.36

Key Positions

	A°	B°
A	150°	210°
B	75°	210°
C	95°	230°
D	140°	275°
E	75°	275°
F	95°	210°

High Speed Performance

Impedence	100 OHMS ±7 OHMS at 100-Picosecond
VSWR	<1.4 up to 4-GHz

In order to achieve high speed performance, this Connector must be mated to another high speed Mighty Mouse Connector.

This Connector mates with all Quick Coupling High Density Plug Connectors with same polarization and opposite contact gender, (801-001, 801-002 and 801-007 and 801-008).

Insertion Loss

1 GHz	.51 dB
2 GHz	.53 dB
3 GHz	.57 dB
4 GHz	1.2 dB
5 GHz	1.25 dB

Data taken with adjacent pairs and grommet removed.

Material and Finish

Plug Barrel, Coupling Nut: Aluminum Alloy or Stainless Steel
Insulator: PFA
Interfacial Seal, Grommet Seal: Fluorosilicone
Contact: Copper Alloy, 50 Microinch Gold Plated per ATSM B 488, Type II, Code C, Class 1.25 (.00005 Min THK), over a suitable underplate.

Dimensions in Inches (millimeters) are subject to change without notice.