

PLEASE CHECK WWW.MOLEX.COM FOR LATEST PART INFORMATION

Part Number: [0395383006](#)
Status: **Active**
Description: 5.08mm (.200") Pitch Eurostyle™ Vertical Dual Level PCB Header, Closed Ends, 6 Circuits

Documents:

[3D Model](#)
[Drawing \(PDF\)](#)

[RoHS Certificate of Compliance \(PDF\)](#)

General

Product Family	Terminal Blocks
Series	39538
Application	Wire-to-Board
Component Type	PCB Header
Product Literature Order No	USA-355
Product Name	ESE, Eurostyle™ Pluggable
Type	Euro Block

Physical

Circuits (Loaded)	6
Entry Angle	N/A
Lock to Mating Part	Yes
Number of Rows	2
Orientation	Vertical
PC Tail Length (in)	0.138 In
PC Tail Length (mm)	3.50 mm
PCB Thickness Recommended (in)	0.120 In
PCB Thickness Recommended (mm)	3.00 mm
Panel Mount	No
Pitch - Mating Interface (in)	0.200 In
Pitch - Mating Interface (mm)	5.08 mm
Polarized to Mating Part	Yes
Shrouded	Closed Ends
Stackable	No
Surface Mount Compatible (SMC)	N/A
Temperature Range - Operating	-40°C to +105°C
Wire Size AWG	N/A

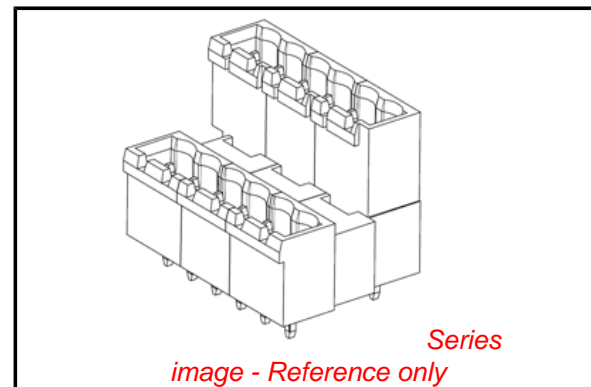
Electrical

Current - Maximum per Contact	15A
Voltage - Maximum	300V

Material Info

Reference - Drawing Numbers

Sales Drawing	SD-39538-004
---------------	--------------



EU RoHS

**ELV and RoHS
Compliant**
REACH SVHC
 Not Reviewed
**Halogen-Free
Status**

China RoHS



Not Reviewed

**Need more information on product
environmental compliance?**

Email productcompliance@molex.com
 For a multiple part number RoHS Certificate of
 Compliance, [click here](#)

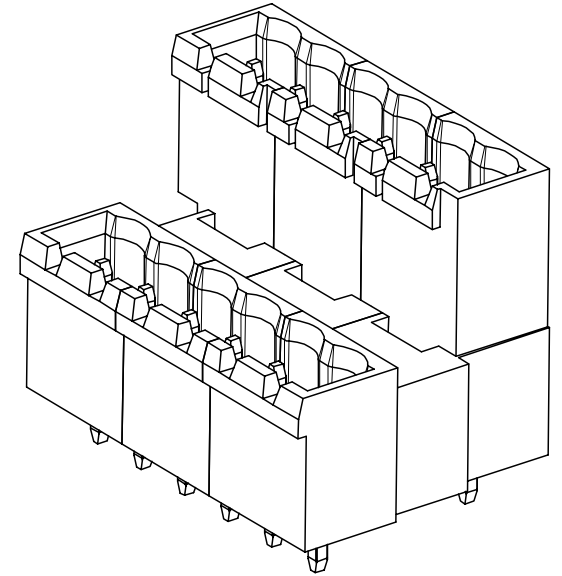
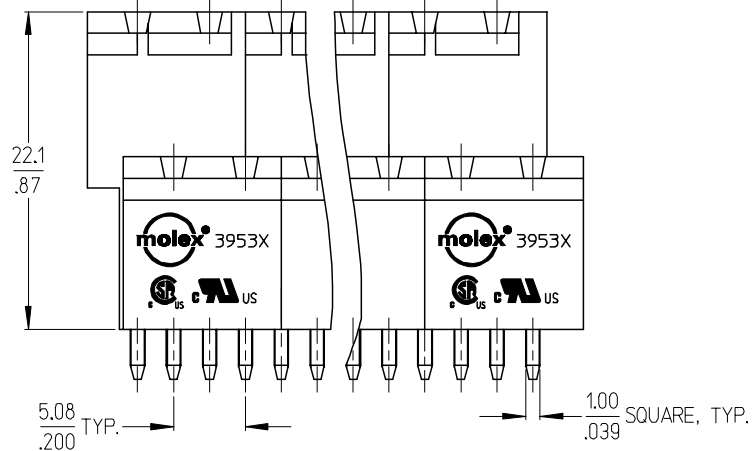
Please visit the [Contact Us](#) section for any
 non-product compliance questions.

Search Parts in this Series

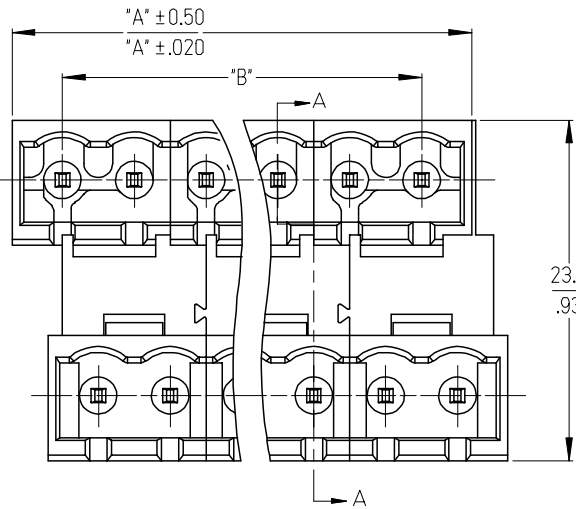
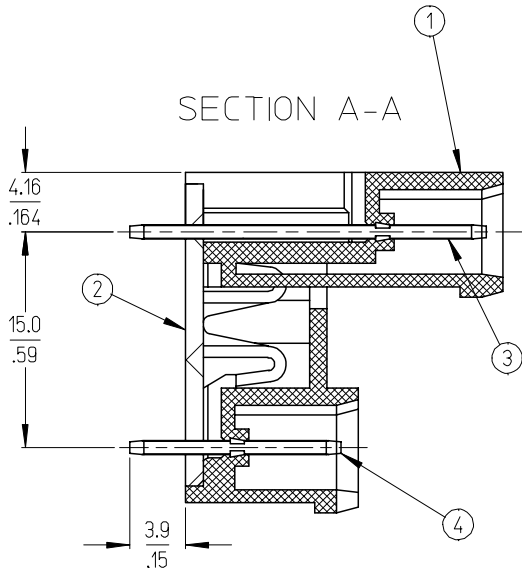
[39538Series](#)

Mates With

[39530](#) Horizontal Plug, [39533](#) Vertical
 Plug, Most 5.08mm (.200") Pitch Industry
 Standard Plugs



SECTION A-A

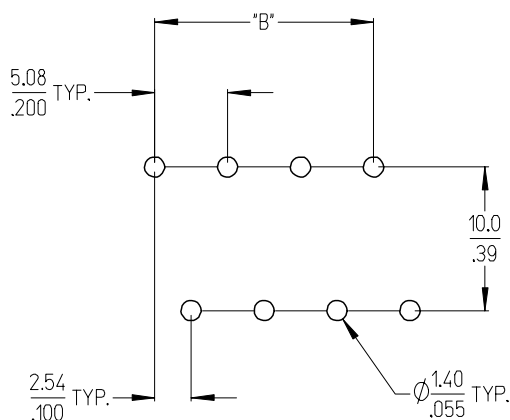


SPECIFICATIONS:

1. MATERIAL:
 - (1) BODY: PA66 (UL 94V-0).
 - (2) COVER: PBT (UL 94V-0).
 - (3) LONG TERMINAL: BRASS.
 - (4) SHORT TERMINAL: BRASS.
2. ELECTRICAL RATING: 300V, 15A.
3. DIELECTRIC WITHSTAND: AC 2500V FOR 1 MINUTE.
4. BREAKDOWN VOLTAGE: 4000V.
5. INSULATION RESISTANCE: DC 1000V, 1000 MEGOHMS.
6. OPERATING TEMPERATURE: -40°C TO +105°C.
7. NUMBER OF CIRCUIT POSITIONS AVAILABLE= 4 THROUGH 48, EVEN NUMBERED CIRCUIT SIZES ONLY.
8. ALL COMPONENTS ARE ROHS COMPLIANT.

INITIAL RELEASE EC NO: ETC2007-0020 DRWN: CYORK 2006/07/25 CHKD: JPWLICKI 2006/07/25 APPR: JPWLICKI 2006/07/26	QUALITY SYMBOLS ▽=0 ▽=0	GENERAL TOLERANCES (UNLESS SPECIFIED)		DIMENSION STYLE		SCALE	DESIGN UNITS	THIRD ANGLE PROJECTION	
				MM/IN		3:1	INCH		
		4 PLACES	± ---	± ---	DRAWN BY	DATE	TITLE		
		3 PLACES	± ---	± .005	C. YORK	2006/07/24	5.08MM, EURO DUAL HEADER VERTICAL, CLOSED END, STACKABLE		
2 PLACES	± 0.13	± .01	CHECKED BY	DATE	APPROVED BY		DATE		
1 PLACE	± 0.3	± ---	J. PAWLICKI	2006/07/24	J. PAWLICKI		2006/07/24		
ANGULAR ± 2 °		MATERIAL NO.		DOCUMENT NO.		SHEET NO.			
DRAFT WHERE APPLICABLE MUST REMAIN WITHIN DIMENSIONS		SEE SHEET 2		SD-39538-004		1 OF 2			
		SIZE B		THIS DRAWING CONTAINS INFORMATION THAT IS PROPRIETARY TO MOLEX INCORPORATED AND SHOULD NOT BE USED WITHOUT WRITTEN PERMISSION					

F
E
D
C
B
A



RECOMMENDED PCB LAYOUT

Circuit size	Material Numbers				Dimensional Information			
	Black		Green		Dim. A		Dim B	
	100% Tin	30 u" Gold	100% Tin	30 u" Gold	mm	inch	mm	inch
4	395383004	395383504	395388004	395388504	12.16	0.479	5.08	0.200
6	395383006	395383506	395388006	395388506	17.24	0.679	10.16	0.400
8	395383008	395383508	395388008	395388508	22.32	0.879	15.24	0.600
10	395383010	395383510	395388010	395388510	27.40	1.079	20.32	0.800
12	395383012	395383512	395388012	395388512	32.48	1.279	25.40	1.000
14	395383014	395383514	395388014	395388514	37.56	1.479	30.48	1.200
16	395383016	395383516	395388016	395388516	42.64	1.679	35.56	1.400
18	395383018	395383518	395388018	395388518	47.72	1.879	40.64	1.600
20	395383020	395383520	395388020	395388520	52.80	2.079	45.72	1.800
22	395383022	395383522	395388022	395388522	57.88	2.279	50.80	2.000
24	395383024	395383524	395388024	395388524	62.96	2.479	55.88	2.200
26	395383026	395383526	395388026	395388526	68.04	2.679	60.96	2.400
28	395383028	395383528	395388028	395388528	73.12	2.879	66.04	2.600
30	395383030	395383530	395388030	395388530	78.20	3.079	71.12	2.800
32	395383032	395383532	395388032	395388532	83.28	3.279	76.20	3.000
34	395383034	395383534	395388034	395388534	88.36	3.479	81.28	3.200
36	395383036	395383536	395388036	395388536	93.44	3.679	86.36	3.400
38	395383038	395383538	395388038	395388538	98.52	3.879	91.44	3.600
40	395383040	395383540	395388040	395388540	103.60	4.079	96.52	3.800
42	395383042	395383542	395388042	395388542	108.68	4.279	101.60	4.000
44	395383044	395383544	395388044	395388544	113.76	4.479	106.68	4.200
46	395383046	395383546	395388046	395388546	118.84	4.679	111.76	4.400
48	395383048	395383548	395388048	395388548	123.92	4.879	116.84	4.600

SEE SHEET 1 EC NO: ETC2007-0020 DRWN: C.YORK 2006/07/25 CHKD: J.PAWLICKI 2006/07/25 APPR: J.PAWLICKI 2006/07/26	QUALITY SYMBOLS ▽=0 ▽=0	GENERAL TOLERANCES (UNLESS SPECIFIED)		DIMENSION STYLE		SCALE	DESIGN UNITS	THIRD ANGLE PROJECTION
				MM/IN		3:1	INCH	
				DRAWN BY DATE		TITLE		
				CHECKED BY DATE		MOLEX INCORPORATED		
		APPROVED BY DATE		MATERIAL NO.		DOCUMENT NO.		SHEET NO.
		ANGULAR ± 2 °		SEE CHART		SD-39538-004		
		DRAFT WHERE APPLICABLE MUST REMAIN WITHIN DIMENSIONS		SIZE B		THIS DRAWING CONTAINS INFORMATION THAT IS PROPRIETARY TO MOLEX INCORPORATED AND SHOULD NOT BE USED WITHOUT WRITTEN PERMISSION		