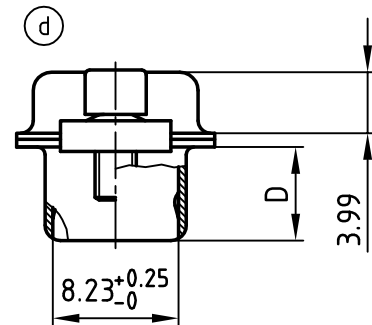
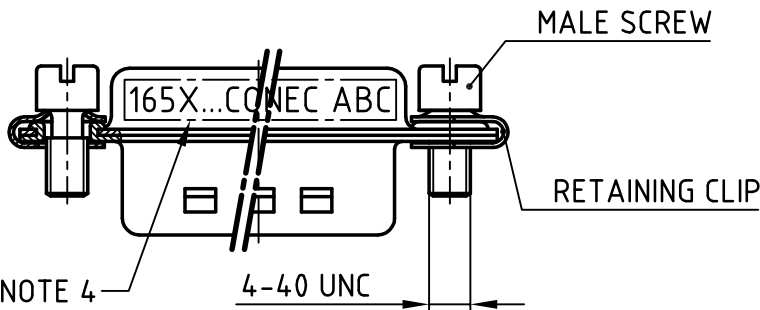
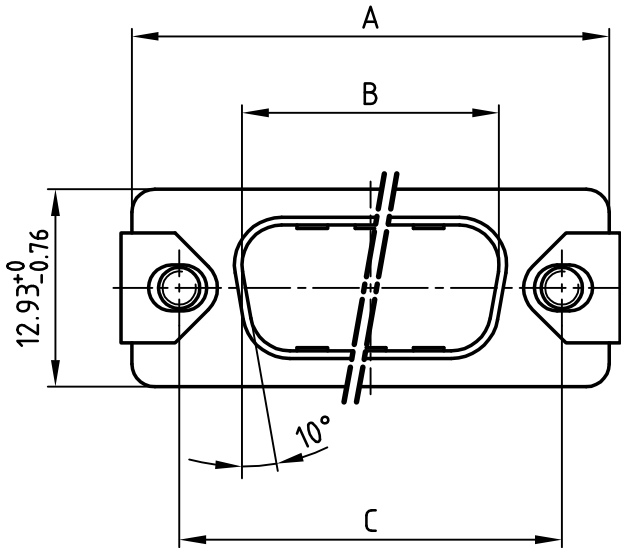


used for: D-SUB



POS.	A -0.76	B -0.25	C	D -0.3	Part no.
9	31.19	16.79	25.00 <sup>+0.12</sup> / <sub>-0.13</sub>	6.12	165X16719X
15	39.52	25.12	33.30 <sup>+0.15</sup> / <sub>-0.1</sub>	6.12	165X16729X
25	53.42	38.84	47.04 ±0.13	5.99	165X16739X
37	69.70	55.30	63.50 ±0.13	5.99	165X16749X

**NOTES:**

1. SCREEN CAP: STEEL; TIN PLATED

(b) (c) 2. MALE SCREW: STAINLESS STEEL

(b) (c) 3. RETAINING CLIP: STAINLESS STEEL

(d) 4. CONNECTOR IS PART MARKED: PART-NO. CONEC ABC



THIS DRAWING MAY NOT BE COPIED OR REPRODUCED IN ANY WAY, AND MAY NOT BE PASSED ON TO A THIRD PARTY WITHOUT WRITTEN PERMISSION. OWNERSHIP AND COPYRIGHT OF CONEC GmbH DO NOT ALTER CAD DRAWING BY HAND

CONEC CORPORATION BRAMPTON, ONTARIO				tolerance			
2001	date	name		scale: 2:1			
drawn	26.04.	Parei		material: SEE NOTES			
appd.	26.04.	E. Mickenbecker		title: COVERED SCREEN CAP			
norm				9-37pos. for socket connector			
3 x d	Ä 3463	20.10.2009	Petker	d-old	dwg no: AutoCAD 2000		DIN-A
2 x c	Ä 2440	10.02.2006	Lehmen			16K1A184A	
2 x b	Ä 1872	29.10.2003	Lehmen			part no: SEE TABLE	
rev.	description	date	name				

4

3

2

1