

AUTOMOTIVE AND HOUSEHOLD SECURITY SIREN DRIVER

ISSUE 8 – JUNE 2007

ZSD100

INTRODUCTION

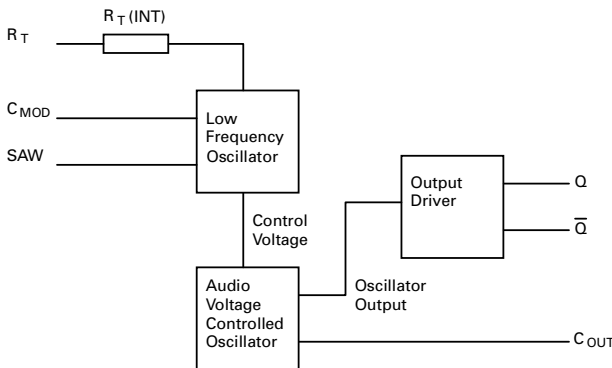
The ZSD100 is a frequency swept alarm signal generator designed specifically for static and automotive security alarm systems. One ZSD100, two timing capacitors, an in-expensive TO92 darlington, piezo transducer and coupling transformer is all that is necessary to produce an ear piercing 120 dB alarm siren.

Including an audio frequency signal generator, low frequency sweep generator, disable circuitry and output driver stages, the ZSD100 provides every function necessary to produce a standard alarm signal. Available in an 8 pin SO package, the IC gives a low cost compact solution to siren signal generation. The device operates from supplies of 4V up to 18V and is ideal for security alarms in battery powered applications, burglar alarms and automotive anti theft systems.

FEATURES

- 4-18V Operating voltage range.
- Small external component count.
- Direct drive of darlington, mosfet and IGBT output stages.
- Single ended or push-pull output stages.
- Suitable for automotive and static alarm systems.
- Low supply current - 10mA operating
- 1µA sleep mode
- Low cost 8 pin SO package.
- User selected audio and sweep frequencies.
- -40°C to 125°C operating temperature range.
- Choice of modulation waveform.

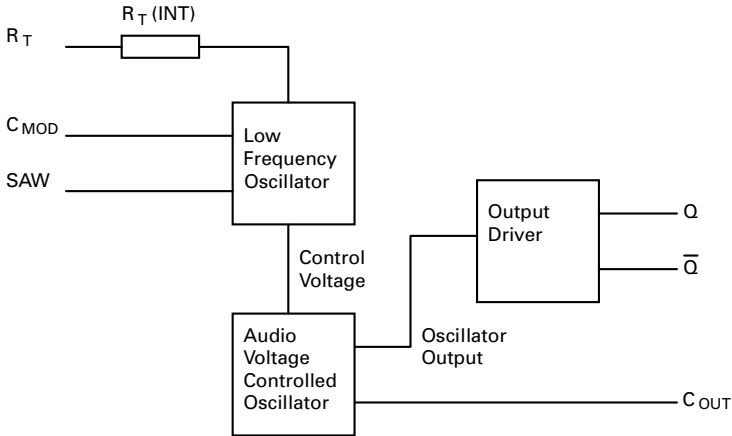
SCHEMATIC DIAGRAM



ZSD100

FUNCTIONAL DESCRIPTION

The audio signal of the ZSD100 is generated using a squarewave oscillator whose output is capable of directly driving a wide range of output circuits. To produce a characteristic alarm siren sound, the frequency of the audio oscillator is swept over a fixed 2:1 range by a second, low frequency oscillator. The frequencies of both oscillators are controlled by $R_T(INT)$ and capacitors C_{MOD} and C_{OUT} .



PIN DESCRIPTIONS

1. R_T Optional external resistor for improved frequency control. An external resistor improves the control of both the modulating and output oscillators. The R_T pin is also used to power the device down. Either connecting R_T to V_{CC} or an open circuit will result in the device being disabled.
2. SAW Selection of modulation waveform is made using the SAW pin. An open circuit produces a triangle wave, sawtooth is achieved by connecting SAW to the C_{MOD} pin.
3. C_{MOD} An external capacitor is used to program the low frequency modulating oscillator. The value of C_{MOD} recommended is between $0.1\mu F$ and $100\mu F$.
4. GND
5. C_{OUT} An external capacitor is used to program the output oscillator. The value of C_{OUT} recommended is between $1nF$ and $100nF$.
6. Q Non inverted output driver
7. \bar{Q} Inverted output driver
8. V_{CC}

ZSD100

ABSOLUTE MAXIMUM RATING

V _{CC}	-0.5V to +20V
Operating Temperature	-40 to 125°C
Storage Temperature	-65 to 150°C

Power Dissipation (T_{amb}=25°C)

SO8	625mW
-----	-------

ELECTRICAL CHARACTERISTICS

TEST CONDITIONS (Unless otherwise stated): T_{amb}=25°C, V_{CC}=12V

PARAMETER	SYMBOL	MIN.	TYP.	MAX.	CONDITIONS.
<i>Supply Voltage Operating Range</i>	V _{CC}	4V		18V	
<i>Supply Current</i> Disabled Enabled	I _{CC}			1μA 25mA	R _T O/C, V _{CC} =18V R _T , Q, Q̄ at Gnd, V _{CC} =18V
<i>Modulating Oscillator</i> Frequency Range	F _{MOD}	0.1Hz		10Hz	V _{CC} =4 to 18V
Frequency Value	F _{MOD}	3.3Hz 5.1Hz	4.3Hz 5.5Hz	5.4Hz 5.9Hz	R _T =0, C _{MOD} =10μF R _T =470kΩ, C _{MOD} =1μF
See Note 1					
<i>Output Oscillator</i> Frequency Range	F _{OUT}	100Hz		10kHz	V _{CC} =4 to 18V
Centre Frequency (Note 2) Deviation Duty Cycle	F _{OUT} ΔF _{OUT}	1.01kHz	1.26kHz ±33% 49%	1.58kHz 55%	R _T =0, C _{OUT} =22nF
<i>Output</i> Source Current Sink Current Open Circuit Voltage	I _{SOURCE} I _{SINK} V _{OUT(HIGH)} V _{OUT(LOW)}	5mA 0.5mA V _{CC} -1.5V		0.5V	V _{OUT} =1.4V V _{OUT} =1.4V I _{OUT} =100μA I _{SINK} =0.1μA
<i>Frequency Control</i> <i>Components</i> Internal Resistor External Resistor Modulation Capacitor Output Capacitor	R _T (INT) R _T (EXT) C _{MOD} C _{OUT}	0 0.1μF 1nF	61.5kΩ	1MΩ 100μF 100nF	

Note 1.
$$F_{MOD} = \frac{2850}{C_{MOD}(61.5 + R_T(EXT))} \text{ Hz}$$

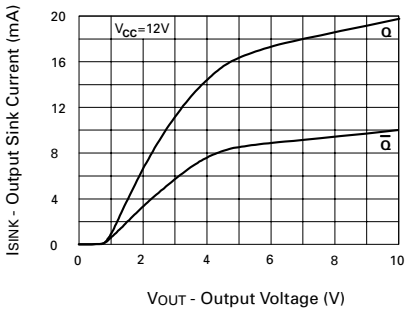
C_{MOD} in μF, R_T (EXT) in kΩ

Note 2.
$$F_{OUT} = \frac{1710}{C_{OUT}(61.5 + R_T(EXT))} \text{ Hz}$$

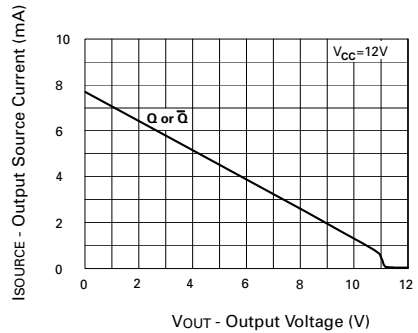
C_{OUT} in μF, R_T (EXT) in kΩ

ZSD100

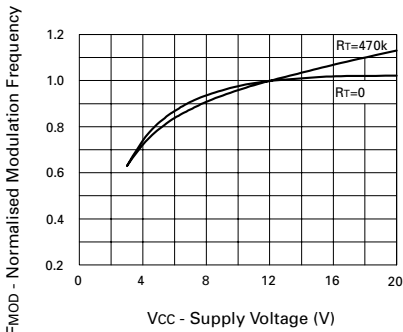
TYPICAL CHARACTERISTICS



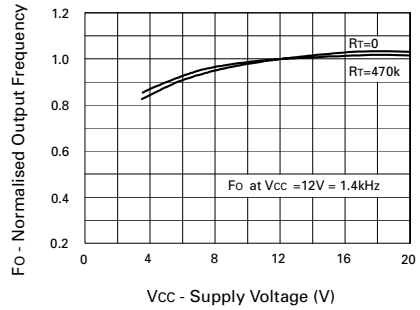
I_{SINK} v V_{OUT}



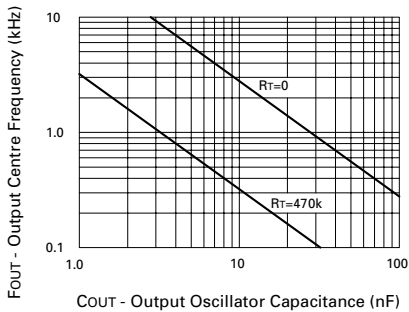
I_{SOURCE} v V_{OUT}



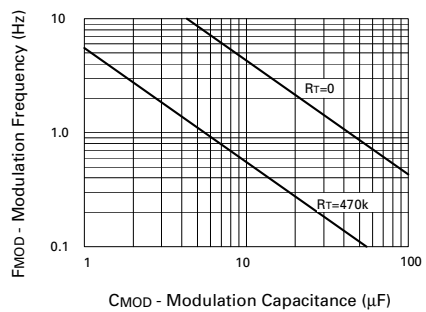
F_{MOD} v V_{CC}



F_o v V_{CC}



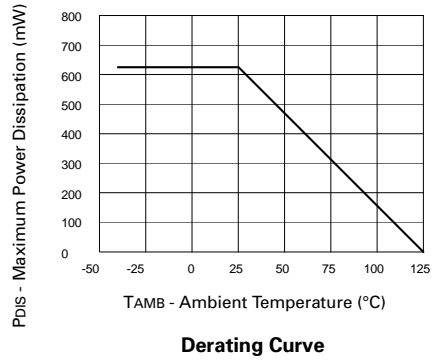
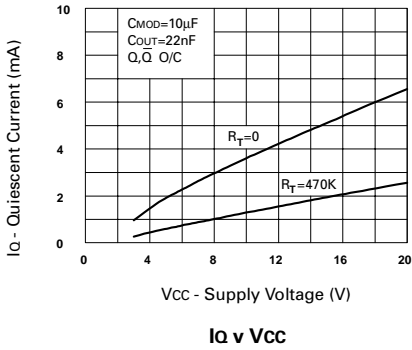
F_{OUT} v C_{OUT}



F_{MOD} v C_{MOD}

ZSD100

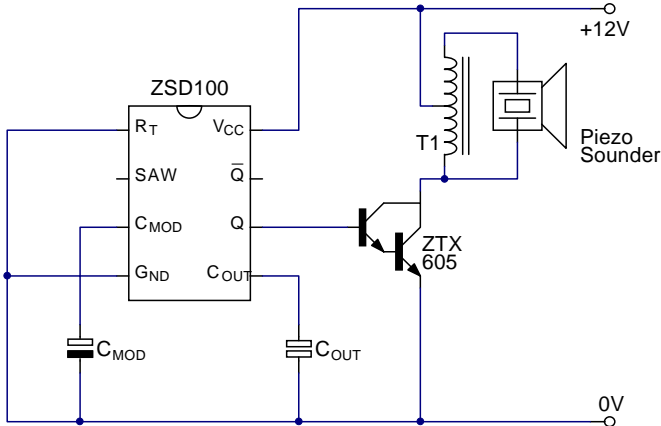
TYPICAL CHARACTERISTICS



ZSD100

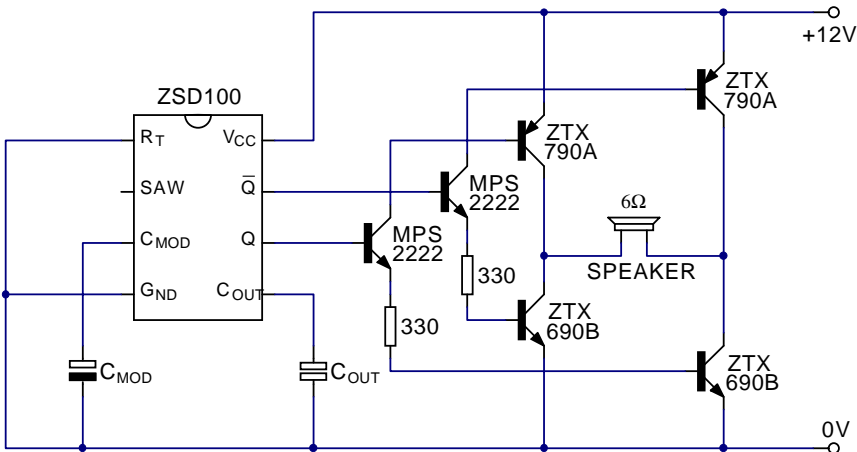
APPLICATIONS CIRCUITS

Piezo Sounder



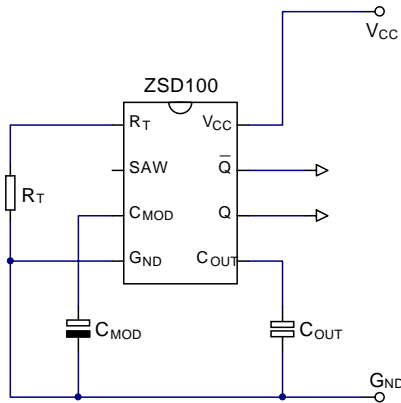
Utilizing a standard autotransformer driven piezo sounder, this circuit indicates a minimum component count alarm solution. In this configuration a ZTX605 darlington transistor can be connected directly to the output of the IC without the need for base resistors.

Moving Coil Loudspeaker Sounder



Moving coil loudspeakers are often used for the very highest output automotive alarm sounders. The ZSD100 complementary outputs, with the selection of ZTX790A and ZTX690B transistors, can drive this H bridge output circuit without any additional interface components.

Improved Frequency Control

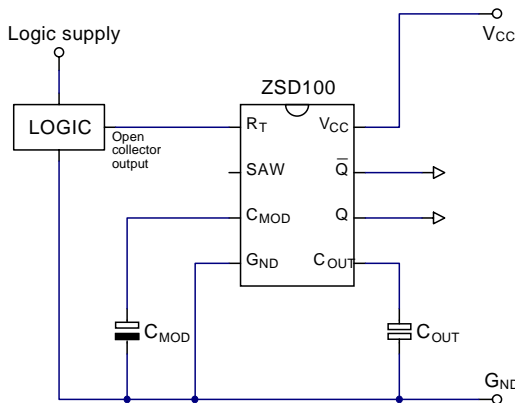


Improved frequency control can be achieved with an external resistor between the R_T pin and G_{ND} . An external resistor reduces the value of the timing capacitors required for the selected operating frequency and also reduces the ZSD100's power consumption.

Note: The outputs of the ZSD100 have been designed to avoid cross-conduction in full bridge output circuits. Large value external timing resistors can lead to a small level of cross-conduction. It is recommended that external timing resistors are not used with bridge output circuits.

Remote Switching

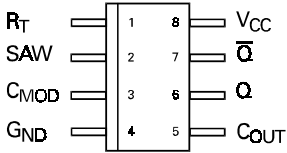
If the R_T pin is switched open-circuit, all internal functions of the IC are shut down.



Note: A small leakage current in the open collector logic controller will enable the IC. If such leakage cannot be eliminated, its effect can be easily negated by adding a high value resistor (eg. 100k) between pin R_T and V_{CC} . This resistor will have no effect on frequency control.

ZSD100

SO8 Package Suffix – N8



Top View

Part Number	Package	Part Mark
ZSD100N8	SO8	ZSD100

Europe

Zetex GmbH
Kustermann-Park
Balanstraße 59
81541 München, Germany

Telefon: (49) 89 45 49 49 0
Fax: (49) 89 45 49 49 49
europe.sales@zetex.com

Americas

Zetex Inc
700 Veterans Memorial Highway
Hauppauge, NY 11788
USA

Telephone: (1) 631 360 2222
Fax: (1) 631 360 8222
usa.sales@zetex.com

Asia Pacific

Zetex (Asia Ltd)
3701-04 Metroplaza Tower 1
Hing Fong Road, Kwai Fong
Hong Kong

Telephone: (852) 26100 611
Fax: (852) 24250 494
asia.sales@zetex.com

Corporate Headquarters

Zetex Semiconductors plc
Zetex Technology Park, Chadderton
Oldham, OL9 9LL
United Kingdom

Telephone: (44) 161 622 4444
Fax: (44) 161 622 4446
hq@zetex.com

For international sales offices visit www.zetex.com/offices

Zetex products are distributed worldwide. For details, see www.zetex.com/salesnetwork

This publication is issued to provide outline information only which (unless agreed by the company in writing) may not be used, applied or reproduced for any purpose or form part of any order or contact or be regarded as a representation relating to the products or services concerned. The company reserves the right to alter without notice the specification, design, price or conditions of supply of any product or service.