



TAI-SAW TECHNOLOGY CO., LTD.

No. 3, Industrial 2nd Rd., Ping-Chen Industrial District,
Taoyuan, 324, Taiwan, R.O.C.

TEL: 886-3-4690038 FAX: 886-3-4697532

E-mail: tstsales@mail.taisaw.com Web: www.taisaw.com

Approval Sheet For Product Specification

Issued Date:

Product Name: SAW Filter 60 MHz SMD 13.3x6.5 mm

TST Parts No.:TB0224A

Customer Parts No.:_____

Company: _____
Division: _____
Approved by : _____
Date: _____

Checked by: _____ Asin Lin

Approval by: _____ Francis Chen

Date: _____ 07,26,2007



TAI-SAW TECHNOLOGY CO., LTD.

No. 3, Industrial 2nd Rd., Ping-Chen Industrial District,
Taoyuan, 324, Taiwan, R.O.C.

TEL: 886-3-4690038 FAX: 886-3-4697532

E-mail: tstsales@mail.taisaw.com Web: www.taisaw.com

SAW Filter 60 MHz

MODEL NO.: TB0224A

REV. NO.:3

A. MAXIMUM RATING:

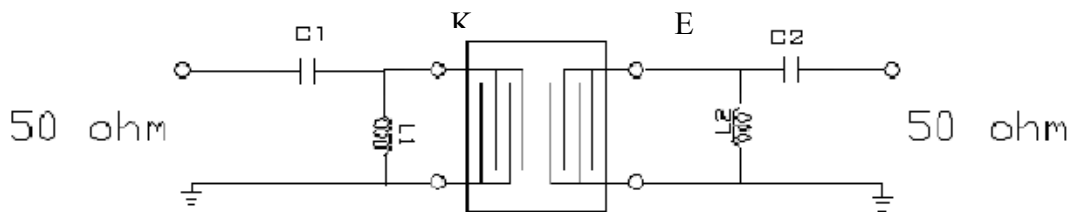
1. Input Power Level : 10 dBm
2. Operating Temperature: -40°C to 85°C
3. Storage Temperature: -40°C to 85°C

RoHS Compliant
Lead free
Lead-free soldering

B. ELECTRICAL CHARACTERISTICS:

Item	Unit	Min.	Type.	Max.	Note
Center frequency, F_c	MHz	-	60.2	-	
Minimum Insertion Loss, IL	dB	-	9.8	12	
Amplitude Ripple (58.26~61.74MHz), AR	MHz	-	0.8	1.2	
Group delay ripple (58~62MHz), GDR	ns	-	110	150	
Phase Linearity, PL	deg		3	10	
1dB Bandwidth	MHz	4.35	5.4		
3dB Bandwidth	MHz	5	6		
Relative attenuation (relative to min. IL)		-			
10 MHz ~ 52 MHz	dB	40	47	-	
68MHz ~ 110 MHz	dB	37	42	-	
Temperature coefficient of frequency	ppm/°C		-94	-	

C. MEASUREMENT CIRCUIT:



Input L1=220nH, C1=15pF
Output L2=180nH, C2=22pF

D. Frequency Characteristics :

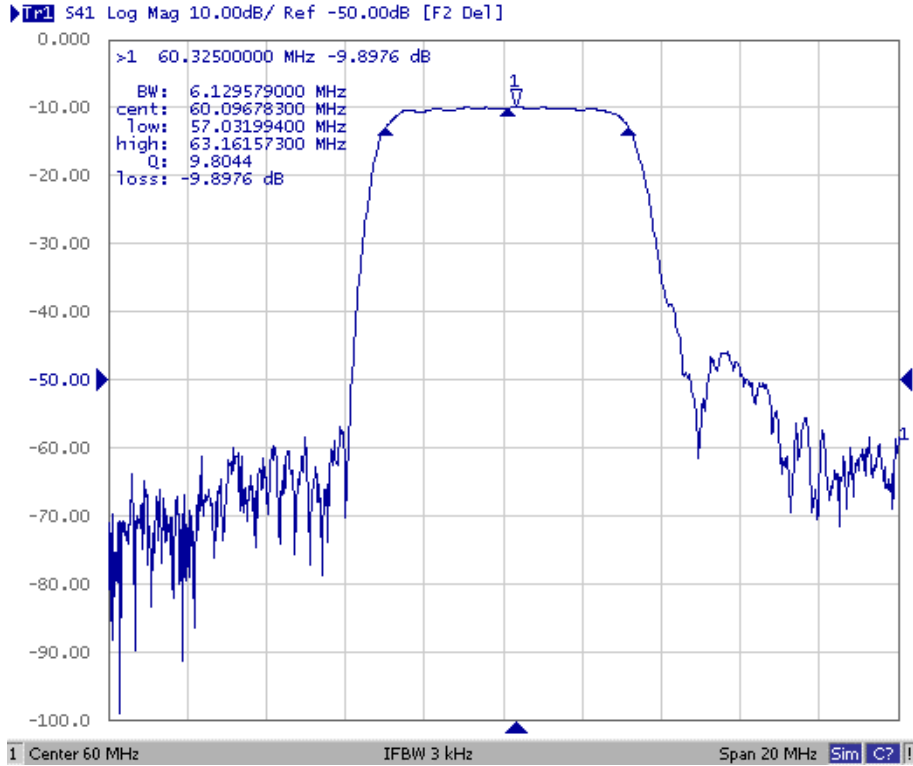


Fig-1 S21 Response Horizontal: 2 MHz/Div
Vertical: 10dB/Div

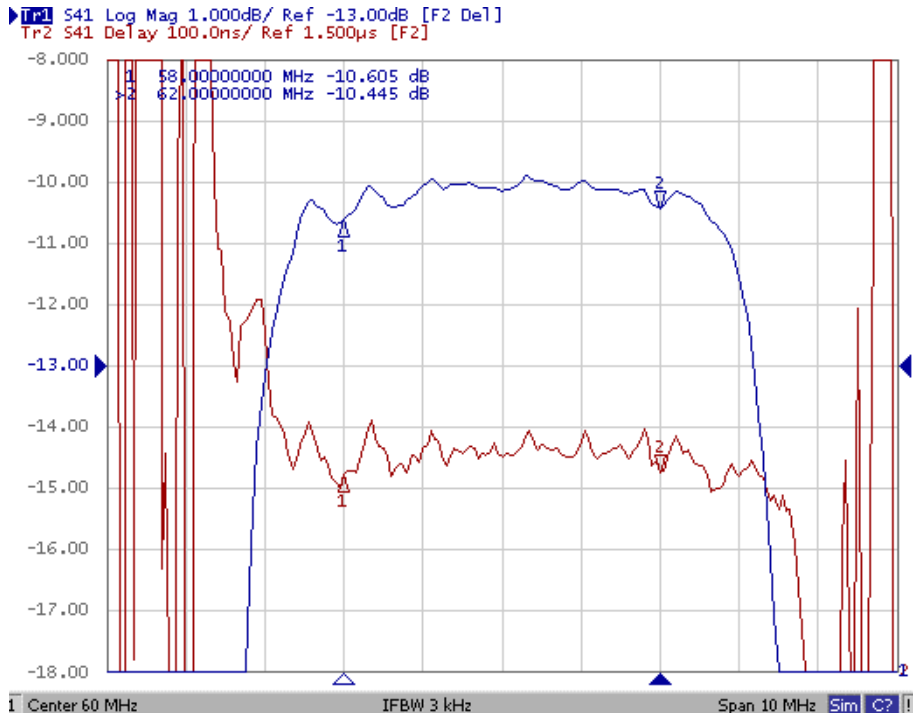
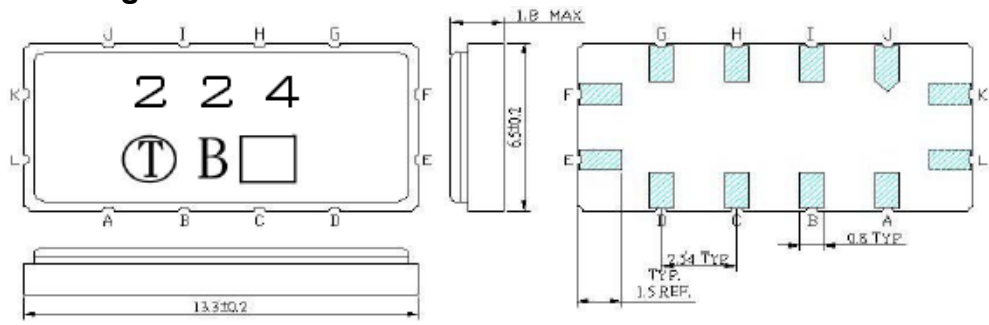


Fig-2 Horizontal: 1M Hz/Div Vertical: 1dB/Div
Vertical: 100ns/Div

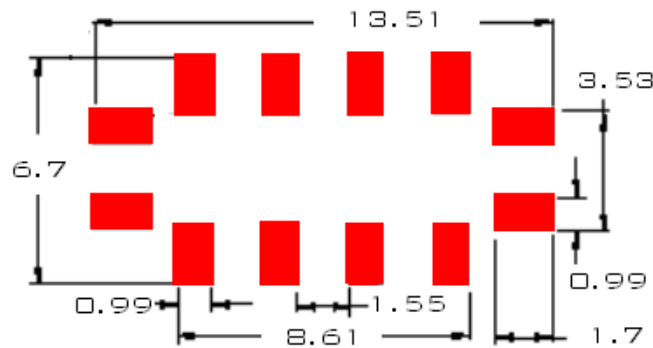
E. Outline Drawing :



Unit: mm

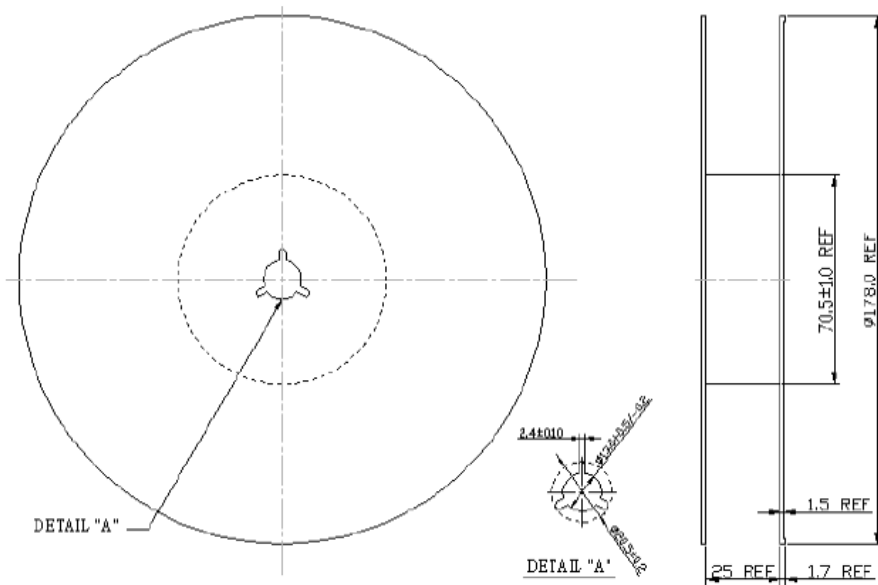
-
- Pin K: RF Input
 - Pin E: RF Output
 - Pin A, B, C, D, F, G, H, I, J, L To be Ground
 - : Date code

F. PCB Footprint :

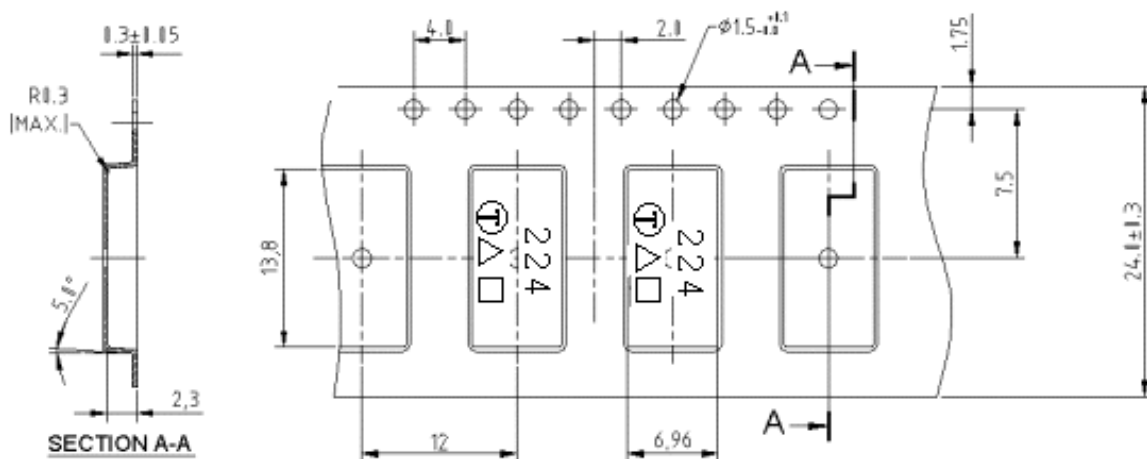


G. Packing:

(1). REEL DIMENSION:



(2). TYPE DIMENSION:



H. Recommended Reflow Profile:

