



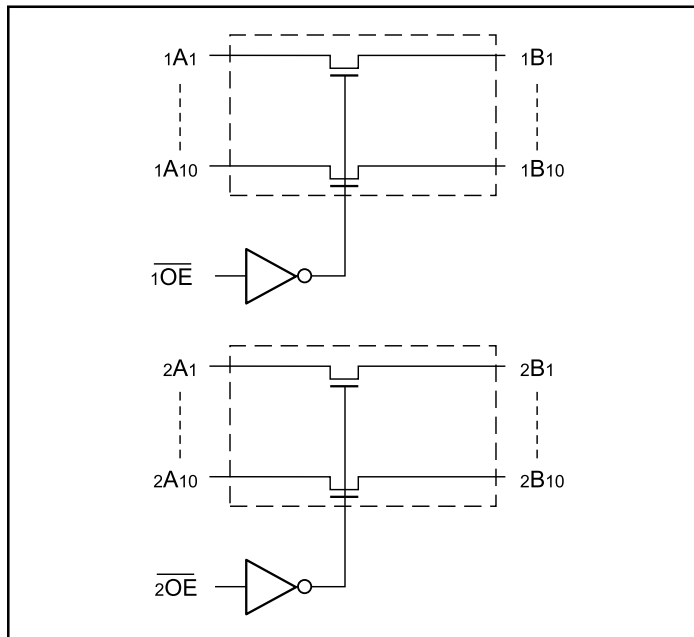
# PI3C16210

## 3.3V, High Bandwidths 20-Bit, 2-Port Bus Switch

### Product Features

- Near-zero propagation delay
- 5-Ohm switch connects inputs to outputs
- Direct bus connection when switch is ON
- 32X384 function with flow through pinout makes board layout easier
- Ultra-low quiescent power (0.2mA typical) – ideally suited for notebook applications
- Industrial operating temperature: -40°C to +85°C
- Packages available:
  - 48-pin 173-mil wide plastic TVSOP (K)
  - 48-pin 240-mil wide plastic TSSOP (A)

### Logic Block Diagram



### Truth Table<sup>(1)</sup>

Inputs		Inputs/Outputs	
$\overline{1OE}$	$\overline{2OE}$	1A,1B	2A,2B
L	L	1A = 1B	2A = 2B
L	H	1A = 1B	Z
H	L	Z	2A = 2B
H	H	Z	Z

#### Note:

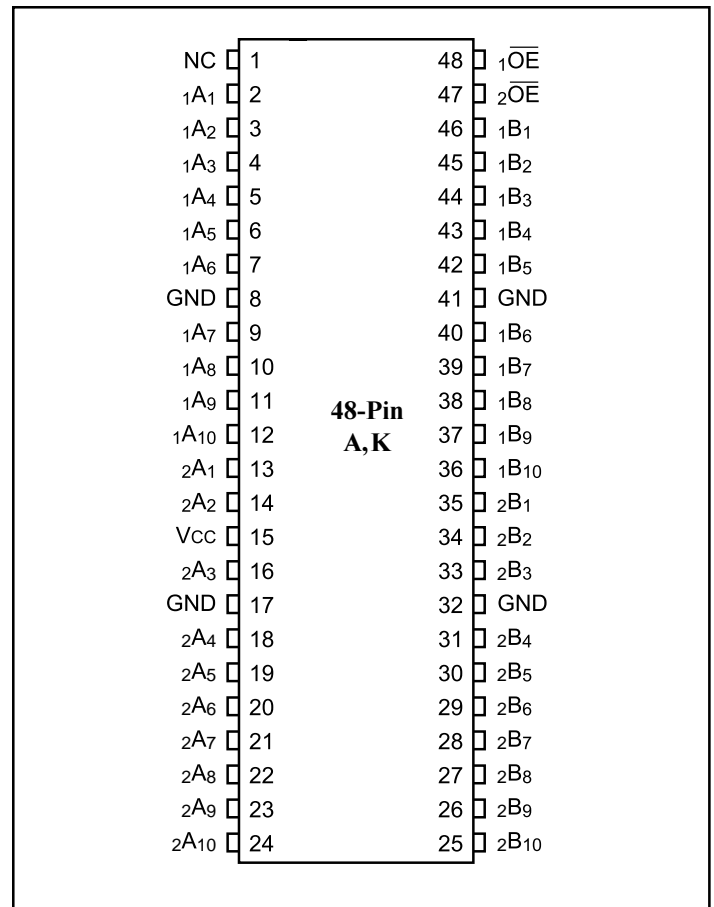
1. H = High Voltage Level  
L = Low Voltage Level  
Hi-Z = High Impedance

### Product Description

Pericom Semiconductor's PI3C series of Bus Switch circuits are produced using the Company's advanced submicron CMOS technology, achieving industry leading speed.

The PI3C16210 is configured as a 20-bit, 2-port bus switch designed with a low ON resistance (5 Ohm) allowing inputs to be connected directly to outputs. The bus switch creates no additional propagational delay or additional ground bounce noise. The switch is turned ON by the Bus Enable ( $\overline{xOE}$ ) input signal.

### Product Pin Configuration



### Product Pin Description

Pin Name	Description
$\overline{1OE}, \overline{2OE}$	Bus Enable Inputs (Active LOW)
1A1-1A10, 2A1-2A10	Bus A
1B1 - 1B10, 2B1 - 2B10	Bus B

### Maximum Ratings

(Above which the useful life may be impaired. For user guidelines, not tested.)

Storage Temperature .....	-65°C to +150°C
Ambient Temperature with Power Applied .....	-40°C to +85°C
Supply Voltage to Ground Potential (Inputs & V <sub>CC</sub> Only) .....	-0.5V to +4.6V
Supply Voltage to Ground Potential (Outputs & D/O Only) .....	-0.5V to +4.6V
DC I/O Voltage .....	-0.5V to +5.5V
DC Output Current .....	120mA
Power Dissipation .....	0.5W

**Note:**

Stresses greater than those listed under MAXIMUM RATINGS may cause permanent damage to the device. This is a stress rating only and functional operation of the device at these or any other conditions above those indicated in the operational sections of this specification is not implied. Exposure to absolute maximum rating conditions for extended periods may affect reliability.

### DC Electrical Characteristics (Over the Operating Range, T<sub>A</sub> = -40°C to +85°C, V<sub>CC</sub> = 3.3V ±10%)

Parameters	Description	Test Conditions <sup>(1)</sup>	Min.	Typ. <sup>(2)</sup>	Max.	Units
V <sub>IH</sub>	Input HIGH Voltage	Guaranteed Logic HIGH Level	2.0	—	—	V
V <sub>IL</sub>	Input LOW Voltage	Guaranteed Logic LOW Level	-0.5	—	0.8	
I <sub>IH</sub>	Input HIGH Current	V <sub>CC</sub> = Max., V <sub>IN</sub> = V <sub>CC</sub>	—	—	±1	μA
I <sub>IL</sub>	Input LOW Current	V <sub>CC</sub> = Max., V <sub>IN</sub> = GND	—	—	±1	
I <sub>OZ</sub> <sup>(3)</sup>	High-Impedance Output Current	0 ≤ A, B ≤ V <sub>CC</sub>	—	—	±1	
V <sub>IK</sub>	Clamp diode Voltage	V <sub>CC</sub> = Min., I <sub>IN</sub> = -18mA	—	-0.73	-1.2	V
R <sub>ON</sub>	Switch On Resistance <sup>(4)</sup>	V <sub>CC</sub> = Min., V <sub>IN</sub> = 0.0V I <sub>ON</sub> = 48mA or 64mA	—	6.5	8.5	Ω
		V <sub>CC</sub> = Min., V <sub>IN</sub> = 2.4V I <sub>ON</sub> = 15mA	—	10	15	

### Capacitance (T<sub>A</sub> = 25°C f = 1 MHz)

Parameters <sup>(5)</sup>	Description	Test Conditions	Typ.	Units
C <sub>IN</sub>	Input Capacitance	V <sub>IN</sub> = 0V	3.5	pF
C <sub>OFF</sub>	A/B Capacitance, Switch Off		4.0	
C <sub>ON</sub>	A/B Capacitance, Switch On		8.0	

**Notes:**

1. For Max. or Min. conditions, use appropriate value specified under Electrical Characteristics for the applicable device type.
2. Typical values are at V<sub>CC</sub> = 3.3V, T<sub>A</sub> = 25°C ambient and maximum loading.
3. Not more than one output should be shorted at one time. Duration of the test should not exceed one second.
4. Measured by the voltage drop between A and B pin at indicated current through the switch. ON resistance is determined by the lower of the voltages on the two (A,B) pins.
5. This parameter is determined by device characterization but is not production tested.

**Power Supply Characteristics**

Parameters	Description	Test Conditions <sup>(1)</sup>	Min.	Typ. <sup>(2)</sup>	Max.	Units
I <sub>CC</sub>	Quiescent Power Supply Current	V <sub>CC</sub> = Max., V <sub>IN</sub> = GND or V <sub>CC</sub>	—	260	850	μA
ΔI <sub>CC</sub>	Supply Current per Input @ TTL HIGH	V <sub>CC</sub> = Max., V <sub>IN</sub> = 3.0V <sup>(3)</sup>	—	—	750	

**Notes:**

1. For Max. or Min. conditions, use appropriate value specified under Electrical Characteristics for the applicable device.
2. Typical values are at V<sub>CC</sub> = 3.3V, +25°C ambient.
3. Per TTL driven input (control inputs only); A and B pins do not contribute to I<sub>CC</sub>.

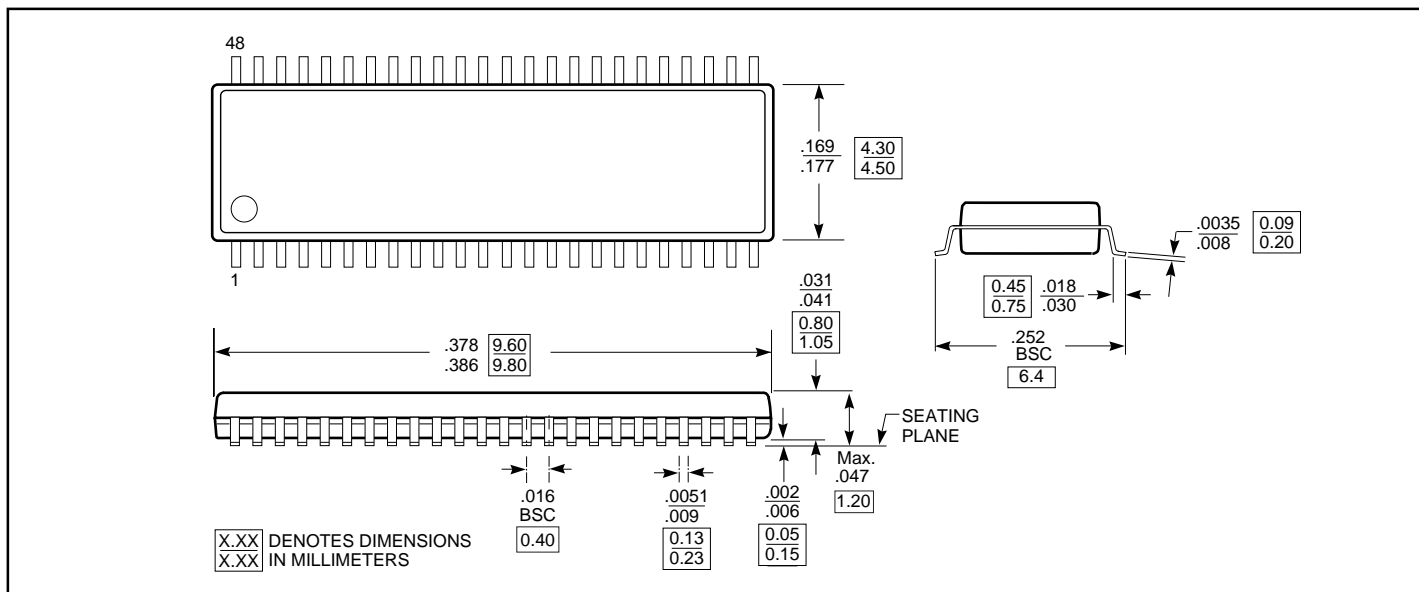
**PI3C16210 Switching Characteristics over Operating Range**

Parameters	Description	Conditions <sup>(1)</sup>	Com.		Units
			Min.	Max.	
t <sub>PLH</sub> t <sub>PHL</sub>	Propogation Delay <sup>(2,3)</sup> Ax to Bx, Bx to Ax	C <sub>L</sub> = 50pF R <sub>L</sub> = 500Ω	—	0.25	ns
t <sub>PZH</sub> t <sub>PZL</sub>	Bus Enable Time B <sub>EX</sub> to Ax or Bx	C <sub>L</sub> = 50pF R <sub>L</sub> = 500Ω	1.5	6.5	
t <sub>PHZ</sub> t <sub>PLZ</sub>	Bus Disable Time B <sub>EX</sub> to Ax or Bx		R = 500Ω	1.5	

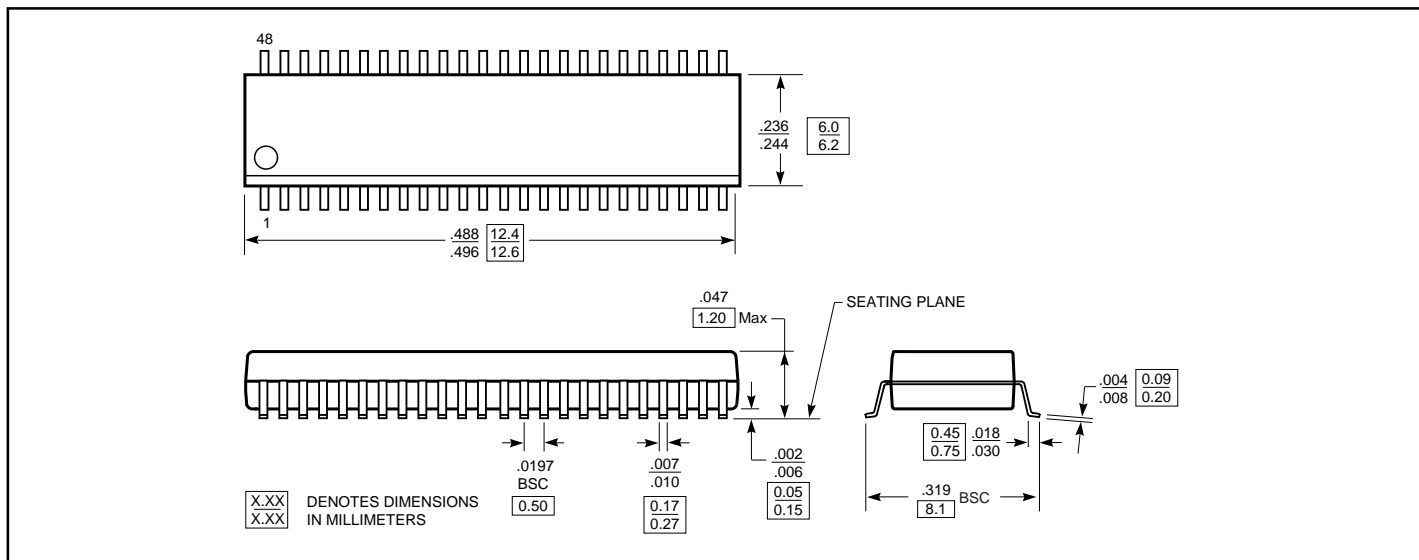
**Notes:**

1. See test circuit and waveforms.
2. This parameter is guaranteed but not tested on Propagation Delays.
3. The bus switch contributes no propagational delay other than the RC delay of the ON resistance of the switch and the load capacitance. The time constant for the switch alone is of the order of 0.25ns for 50pF load. Since this time constant is much smaller than the rise/fall times of typical driving signals, it adds very little propagational delay to the system. Propagational delay of the bus switch when used in a system is determined by the driving circuit on the driving side of the switch and its interaction with the load on the driven side.

48-Pin TVSOP (K) Package



48-Pin TSSOP (A) Package



Ordering Information

Part	Pin - Package	Width	Temperature
PI3C16210A	48 - TSSOP (A)	240-mil	0°C to 85°C
PI3C16210K	48 - TVSOP (K)	173-mil	