



- Features :
- Universal AC input / Full range
  - Protections: Short circuit / Overload / Over voltage
  - Cooling by free air convection
  - 100% full load burn-in test
  - 2 years warranty

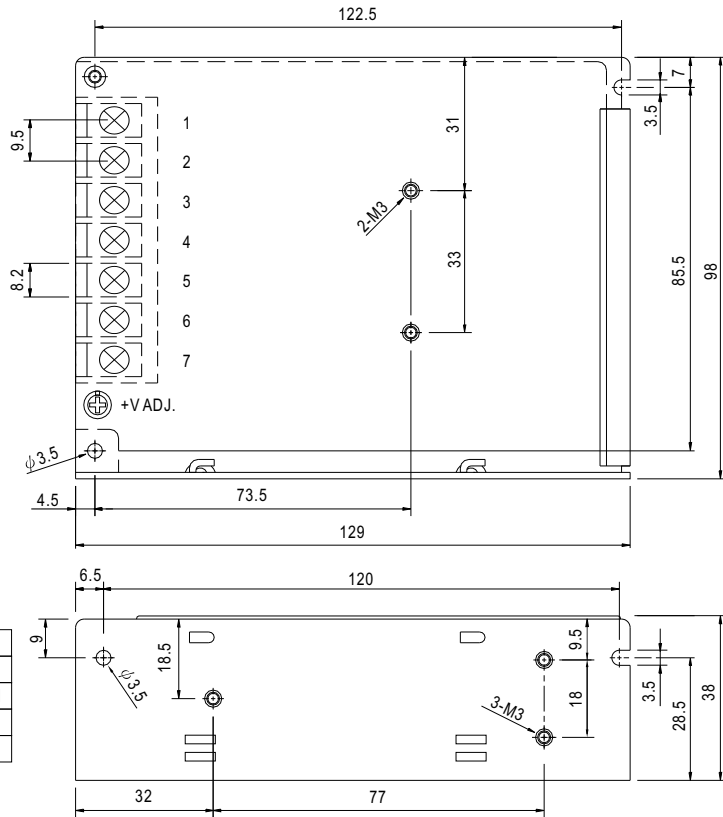


**SPECIFICATION**

| MODEL                                |  | NET-50A   |            |                                  | NET-50B          |            |            | NET-50C          |          |            | NET-50D          |            |            |
|--------------------------------------|--|---|------------|----------------------------------|------------------|------------|------------|------------------|----------|------------|------------------|------------|------------|
| OUTPUT                               | OUTPUT NUMBER  | CH1   | CH2        | CH3                              | CH1              | CH2        | CH3        | CH1              | CH2      | CH3        | CH1              | CH2        | CH3        |
|                                      | DC VOLTAGE   | 5V  | 12V        | -5V                              | 5V               | 12V        | -12V       | 5V               | 15V      | -15V       | 5V               | 24V        | 12V        |
|                                      | RATED CURRENT  | 4A  | 2A         | 0.5A                             | 4A               | 2A         | 0.5A       | 4A               | 1.5A     | 0.5A       | 3A               | 1A         | 1A         |
|                                      | CURRENT RANGE <small>Note.6</small>  | 0.6 ~ 5A  | 0.2 ~ 2.5A | 0.1 ~ 0.7A                       | 0.6 ~ 5A         | 0.2 ~ 2.5A | 0.1 ~ 0.7A | 0.6 ~ 5A         | 0.1 ~ 2A | 0.1 ~ 0.7A | 0.6 ~ 5A         | 0.1 ~ 1.5A | 0.1 ~ 1.5A |
|                                      | RATED POWER  | 46.5W   |            |                                  | 50W              |            |            | 50W              |          |            | 51W              |            |            |
|                                      | RIPPLE & NOISE (max.) <small>Note.2</small>  | 80mVp-p   | 120mVp-p   | 120mVp-p                         | 80mVp-p          | 120mVp-p   | 120mVp-p   | 80mVp-p          | 150mVp-p | 150mVp-p   | 80mVp-p          | 200mVp-p   | 120mVp-p   |
|                                      | VOLTAGE ADJ. RANGE   | CH1:4.75 ~ 5.5V   |            |                                  | CH1: 4.75 ~ 5.5V |            |            | CH1: 4.75 ~ 5.5V |          |            | CH1: 4.75 ~ 5.5V |            |            |
|                                      | VOLTAGE TOLERANCE <small>Note.3</small>  | ±2.0%   | ±6.0%      | ±5.0%                            | ±2.0%            | ±6.0%      | ±5.0%      | ±2.0%            | ±8.0%    | ±5.0%      | ±2.0%            | ±8.0%      | ±6.0%      |
|                                      | LINE REGULATION <small>Note.4</small>  | ±0.5%   | ±1.0%      | ±1.0%                            | ±0.5%            | ±1.0%      | ±1.0%      | ±0.5%            | ±1.0%    | ±1.0%      | ±0.5%            | ±1.0%      | ±1.0%      |
|                                      | LOAD REGULATION <small>Note.5</small>  | ±1.5%   | ±3.0%      | ±1.0%                            | ±1.5%            | ±3.0%      | ±1.0%      | ±1.5%            | ±3.0%    | ±1.0%      | ±1.5%            | ±3.0%      | ±3.0%      |
| SETUP, RISE TIME                     | 500ms, 30ms/230VAC   |   |            | 1200ms, 30ms/115VAC at full load |                  |            |            |                  |          |            |                  |            |            |
| HOLD UP TIME (Typ.)                  | 50ms/230VAC  |   |            | 10ms/115VAC at full load         |                  |            |            |                  |          |            |                  |            |            |
| INPUT                                | VOLTAGE RANGE  | 85 ~ 264VAC   |            |                                  | 120 ~ 370VDC     |            |            |                  |          |            |                  |            |            |
|                                      | FREQUENCY RANGE  | 47 ~ 63Hz   |            |                                  |                  |            |            |                  |          |            |                  |            |            |
|                                      | EFFICIENCY (Typ.)  | 76%   |            |                                  | 78%              |            |            | 78%              |          |            | 80%              |            |            |
|                                      | AC CURRENT (Typ.)  | 1.1A/115VAC   |            |                                  | 0.65A/230VAC     |            |            |                  |          |            |                  |            |            |
|                                      | INRUSH CURRENT (Typ.)  | COLD START 45A  |            |                                  |                  |            |            |                  |          |            |                  |            |            |
| LEAKAGE CURRENT                      | <2mA / 240VAC  |   |            |                                  |                  |            |            |                  |          |            |                  |            |            |
| PROTECTION                           | OVERLOAD   | 110 ~ 150% rated output power<br>Protection type : Hiccup mode, recovers automatically after fault condition is removed |            |                                  |                  |            |            |                  |          |            |                  |            |            |
|                                      | OVER VOLTAGE   | CH1: 5.75 ~ 6.75V<br>Protection type : Shut down o/p voltage, re-power on to recover                                    |            |                                  |                  |            |            |                  |          |            |                  |            |            |
| ENVIRONMENT                          | WORKING TEMP.  | -20 ~ +60°C (Refer to "Derating Curve")   |            |                                  |                  |            |            |                  |          |            |                  |            |            |
|                                      | WORKING HUMIDITY   | 20 ~ 90% RH non-condensing  |            |                                  |                  |            |            |                  |          |            |                  |            |            |
|                                      | STORAGE TEMP., HUMIDITY  | -40 ~ +85°C, 10 ~ 95% RH  |            |                                  |                  |            |            |                  |          |            |                  |            |            |
|                                      | TEMP. COEFFICIENT  | ±0.03%/°C (0 ~ 45°C)  |            |                                  |                  |            |            |                  |          |            |                  |            |            |
|                                      | VIBRATION  | 10 ~ 500Hz, 2G 10min./1cycle, period for 60min. each along X, Y, Z axes   |            |                                  |                  |            |            |                  |          |            |                  |            |            |
| SAFETY & EMC <small>(Note 7)</small> | SAFETY STANDARDS   | UL60950-1, CB(IEC60950-1) approved  |            |                                  |                  |            |            |                  |          |            |                  |            |            |
|                                      | WITHSTAND VOLTAGE  | I/P-O/P:3KVAC I/P-FG:1.5KVAC O/P-FG:0.5KVAC   |            |                                  |                  |            |            |                  |          |            |                  |            |            |
|                                      | ISOLATION RESISTANCE   | I/P-O/P, I/P-FG, O/P-FG:100M Ohms / 500VDC / 25°C / 70% RH  |            |                                  |                  |            |            |                  |          |            |                  |            |            |
|                                      | EMC EMISSION   | Compliance to EN55022 (CISPR22) Class B, EN61000-3-2,-3   |            |                                  |                  |            |            |                  |          |            |                  |            |            |
|                                      | EMC IMMUNITY   | Compliance to EN61000-4-2,3,4,5,6,8,11, EN55024, EN61000-6-1, light industry level, criteria A                          |            |                                  |                  |            |            |                  |          |            |                  |            |            |
| OTHERS                               | MTBF   | 348.4K hrs min. MIL-HDBK-217F (25°C)  |            |                                  |                  |            |            |                  |          |            |                  |            |            |
|                                      | DIMENSION  | 129*98*38mm (L*W*H)   |            |                                  |                  |            |            |                  |          |            |                  |            |            |
|                                      | PACKING  | 0.44Kg; 45pcs/21Kg/1.24CUFT   |            |                                  |                  |            |            |                  |          |            |                  |            |            |
| NOTE                                 | <ol style="list-style-type: none"> <li>1. All parameters NOT specially mentioned are measured at 230VAC input, rated load and 25°C of ambient temperature.</li> <li>2. Ripple &amp; noise are measured at 20MHz of bandwidth by using a 12" twisted pair-wire terminated with a 0.1uf &amp; 47uf parallel capacitor.</li> <li>3. Tolerance : includes set up tolerance, line regulation and load regulation.</li> <li>4. Line regulation is measured from low line to high line at rated load.</li> <li>5. Load regulation is measured from 20% to 100% rated load, and other output at 60% rated load.</li> <li>6. Each output can work within current range. But total output power can't exceed rated output power.</li> <li>7. The power supply is considered a component which will be installed into a final equipment. The final equipment must be re-confirmed that it still meets EMC directives. For guidance on how to perform these EMC tests, please refer to "EMI testing of component power supplies." (as available on <a href="http://www.meanwell.com">http://www.meanwell.com</a>)</li> </ol> |   |            |                                  |                  |            |            |                  |          |            |                  |            |            |

**Mechanical Specification**

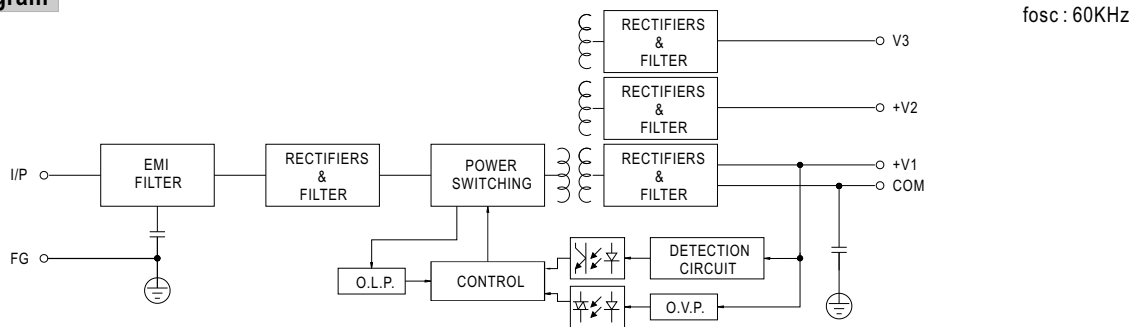
Case No. 903 Unit:mm



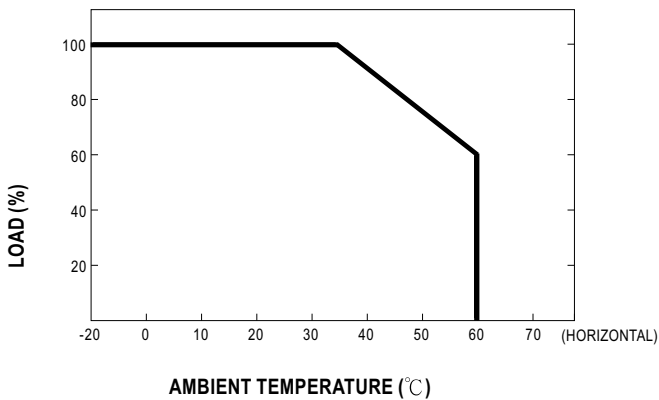
Terminal Pin No. Assignment

| Pin No. | Assignment   | Pin No. | Assignment    |
|---------|--------------|---------|---------------|
| 1       | AC/L         | 5       | DC OUTPUT +V2 |
| 2       | AC/N         | 6       | DC OUTPUT COM |
| 3       | FG           | 7       | DC OUTPUT +V1 |
| 4       | DC OUTPUT V3 |         |               |

**Block Diagram**



**Derating Curve**



**Output Derating VS Input Voltage**

