



Features


- ◇ For IF SAW filter
- ◇ High attenuation
- ◇ Single-ended operation
- ◇ Dual In-line Package
- ◇ RoHS compliant (2002/95/EC), Pb-free

Specifications

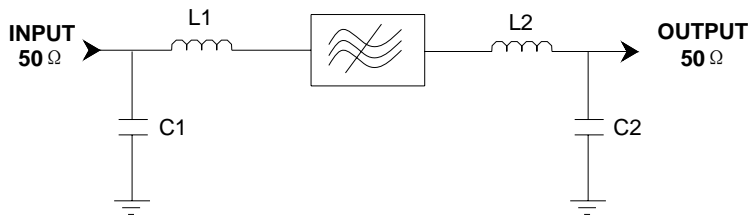
Parameter	Unit	Minimum	Typical	Maximum
Center Frequency	MHz	206.6	206.8	207
Insertion Loss	dB	-	23.5	25
1 dB Bandwidth	MHz	-	5	-
3 dB Bandwidth	MHz	5.2	5.36	-
40 dB Bandwidth	MHz	-	6.38	6.6
Passband Variation	dB	-	0.6	0.9
Absolute Delay	usec	-	2.6	-
Ultimate Rejection	dB	45	48	-
Material Temperature coefficient	KHz/°C	0.2		
Substrate Material	-	Qz		
Ambient Temperature	°C	25		
DC Voltage	V	0		
Input Power	dBm	-	-	10
ESD Class	-	1C		
Package Size	DIP2712 (27.0x12.8x4.7mm3)			

Notes:

1. All specifications are based on the test circuit shown;
2. In production, all specifications are measured by Agilent Network analyzer and full 2 port calibration at room temperature;
3. Electrical margin has been built into the design to account for the variations due to temperature drift and manufacturing tolerances;
4. This is the optimum impedance in order to achieve the performance show.

	SIPAT Co., Ltd. (CETC No.26 Research Institute) #14 Nanping Huayuan Road, Chongqing, China, 400060	Part Number	LBS20701	
		Rev. Date	2010-09-10	
		Ver.	1.0	Page

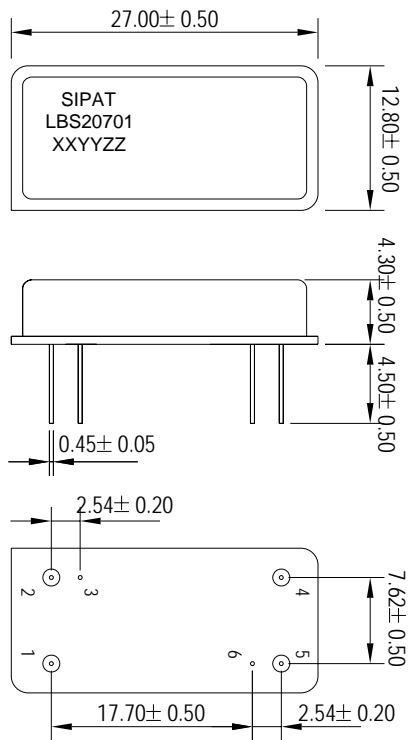
Matching Configuration



L1=47nH L2=33nH
C1=27pF C2=36pF
Source/Load Impedance=50 ohm

Notes - Component values may change depending
on board layout.

Package Dimension



Pad Configuration:

Input 1
Output 5
Ground All Others

Marking Configuration:

- 1) SIPAT: Manufacturer Name
- 2) LBS20701: Part Number
- 3) XXYY: Date(Year/month)
- 4) ZZ: Identified Code

Package: DIP2712

Unit: mm

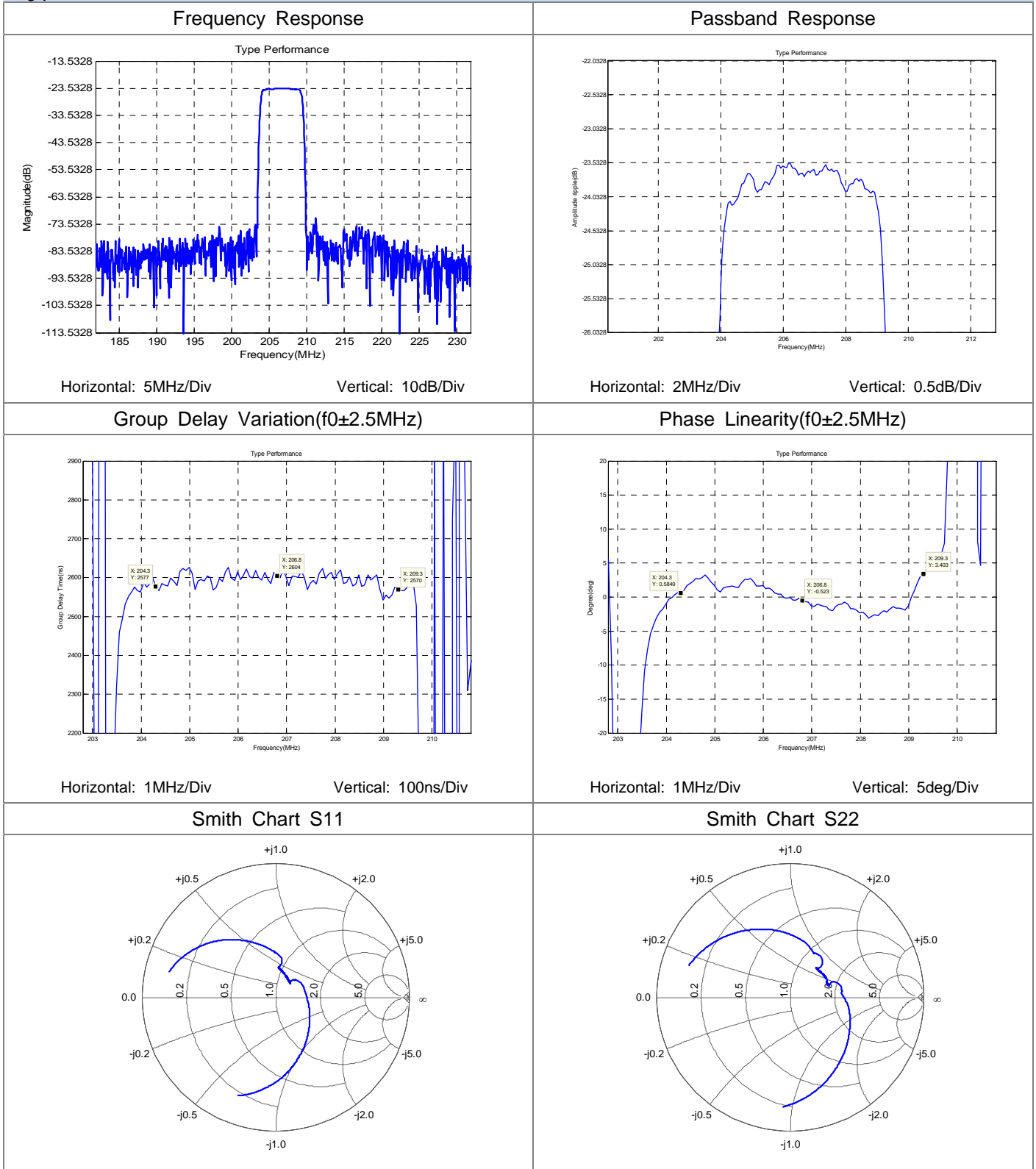


SIPAT Co., Ltd.
(CETC No.26 Research Institute)
#14 Nanping Huayuan Road,
Chongqing, China, 400060

Part Number	LBS20701	
Rev. Date	2010-09-10	
Ver.	1.0	Page 2/3



Typical Performance



SIPAT Co., Ltd.
(CETC No.26 Research Institute)
#14 Nanping Huayuan Road,
Chongqing, China, 400060

Part Number	LBS20701	
Rev. Date	2010-09-10	
Ver.	1.0	Page 3/3