

PLEASE CHECK WWW.MOLEX.COM FOR LATEST PART INFORMATION

Part Number: [0876550007](#)
Status: **Active**
Description: 1.27mm (.050") Pitch DDR DIMM Socket, Right Angle, Single Key, with Beveled Metal Pin and Plastic Pegs, 184 Circuits, 0.76µm (30µ") Gold (Au) Plating, 2.79mm (.110) Tail Length, Leadfree

Documents:

[3D Model](#) [Product Specification PS-87609-002 \(PDF\)](#)
[Drawing \(PDF\)](#) [RoHS Certificate of Compliance \(PDF\)](#)

General

Product Family	Memory Module Sockets
Series	87655
Component Type	Memory Module
JEDEC Outline	MO-206
Product Name	DDR DIMM

Physical

Circuits (Loaded)	184
Color - Resin	Black, Natural
Durability (mating cycles max)	25
Entry Angle	90° Angle (Side Entry)
Keying to Mating Part	Yes
Material - Metal	Brass, High Performance Alloy (HPA)
Material - Plating Mating	Gold
Material - Plating Termination	Tin
Material - Resin	High Temperature Thermoplastic
PC Tail Length (in)	0.110 In
PC Tail Length (mm)	2.79 mm
PCB Locator	Yes
PCB Retention	Yes
PCB Thickness Recommended (in)	0.062 In
PCB Thickness Recommended (mm)	1.60 mm
Packaging Type	Tray
Pitch - Mating Interface (in)	0.050 In
Pitch - Mating Interface (mm)	1.27 mm
Plating min: Mating (µin)	30.4
Plating min: Mating (µm)	0.76
Plating min: Termination (µin)	101.6
Plating min: Termination (µm)	2.54
Temperature Range - Operating	-10°C to +85°C
Termination Interface: Style	Through Hole

Electrical

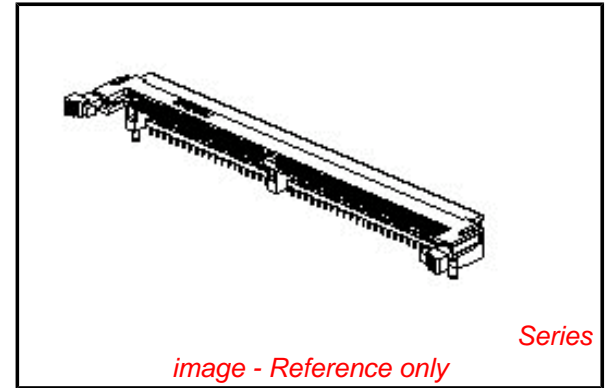
Current - Maximum per Contact	1A
Voltage - Maximum	125V
Voltage Key	2.5V, Left

Solder Process Data

Duration at Max. Process Temperature (seconds)	10
Lead-free Process Capability	SMC & Wave Capable (TH only)
Max. Cycles at Max. Process Temperature	1
Process Temperature max. C	240

Material Info

Reference - Drawing Numbers



EU RoHS

ELV and RoHS Compliant

REACH SVHC

Not Reviewed

Halogen-Free

Status

Not Halogen-Free

Need more information on product environmental compliance?

Email productcompliance@molex.com
 For a multiple part number RoHS Certificate of Compliance, [click here](#)

Please visit the [Contact Us](#) section for any non-product compliance questions.

China RoHS



Search Parts in this Series

[87655Series](#)

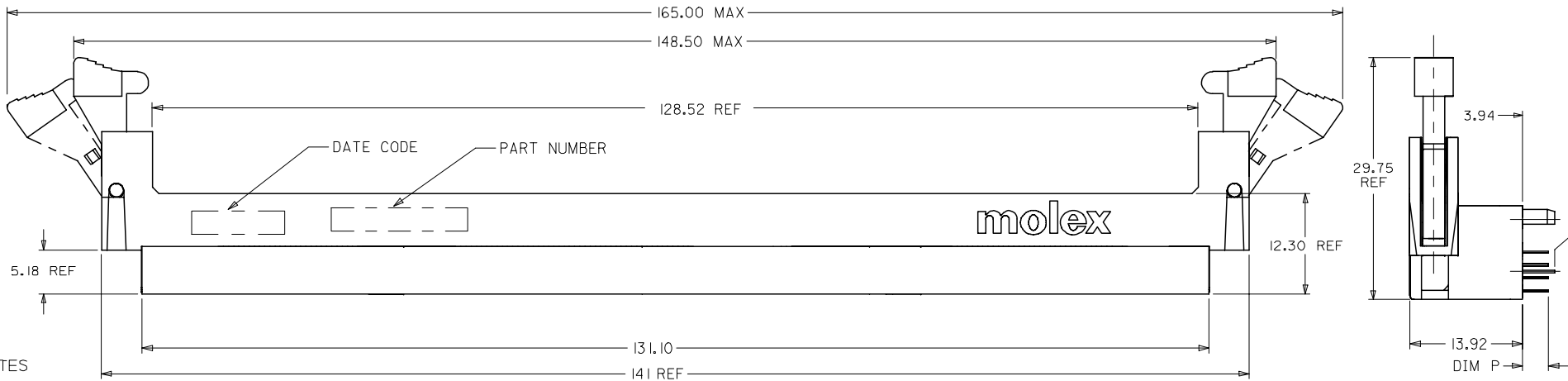
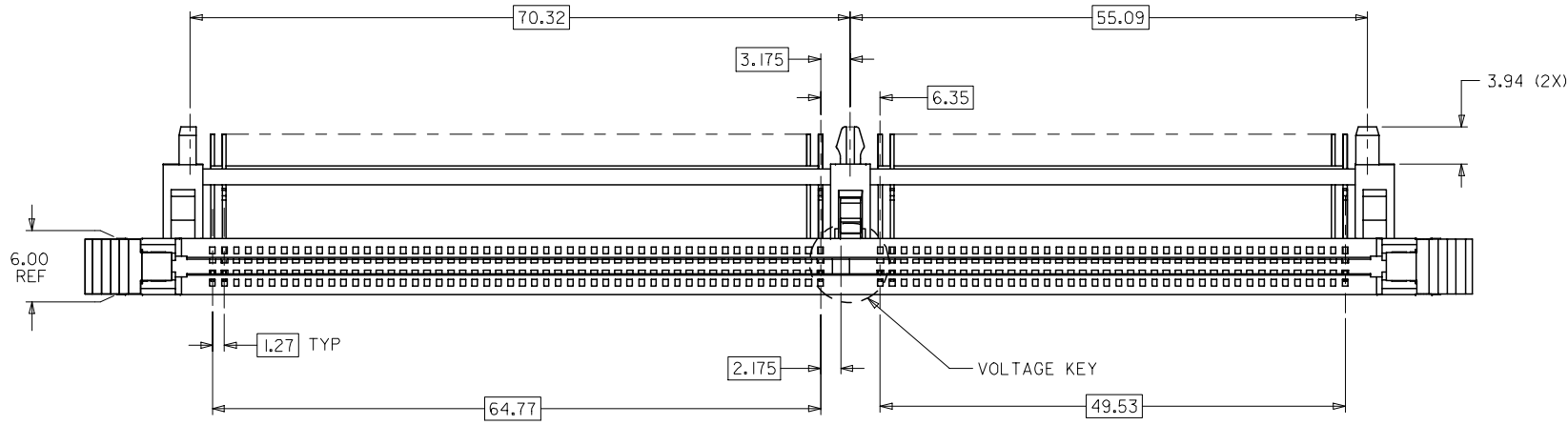
Mates With

JEDEC standard 1.27mm modules

This document was generated on 04/09/2010

PLEASE CHECK WWW.MOLEX.COM FOR LATEST PART INFORMATION

10 9 8 7 6 5 4 3 2 1



NOTES

- MATERIALS:
HOUSING AND BASEPLATE - HIGH TEMP LCP GLASS FILLED, UL 94V-0
COLOR: BLACK
EJECTORS - HIGH TEMP NYLON GLASS FILLED, UL 94V-0
COLOR: NATURAL (OFF WHITE)
TERMINALS AND FORKLICK - COPPER ALLOY
- FINISHES: CONTACT AREA: SEE TABLE
SOLDERTAIL: 2.54mm/100µMIN. TIN
UNDERPLATE: 1.27mm/50µ IN. NICKEL
- PRODUCT SPECIFICATIONS: PS-87609-002 FOR PERFORMANCE SPECIFICATIONS.
- DATE CODE SHALL BE MARKED LEGIBLY AS SHOWN: XX XX
YEAR WEEK
- PART NUMBER SHALL BE MARKED LEGIBLY AS SHOWN: 87655-0XXX
REFER TO TABLE

OBS TIN/LEAD P/N	EC NO: S2006-0746	2006/02/27
	DRWN:MLONG	2006/02/28
	CHKD:HO	2006/02/28
	APPR:GJLEE	2006/02/28

QUALITY SYMBOLS	▽=0
	∇=0

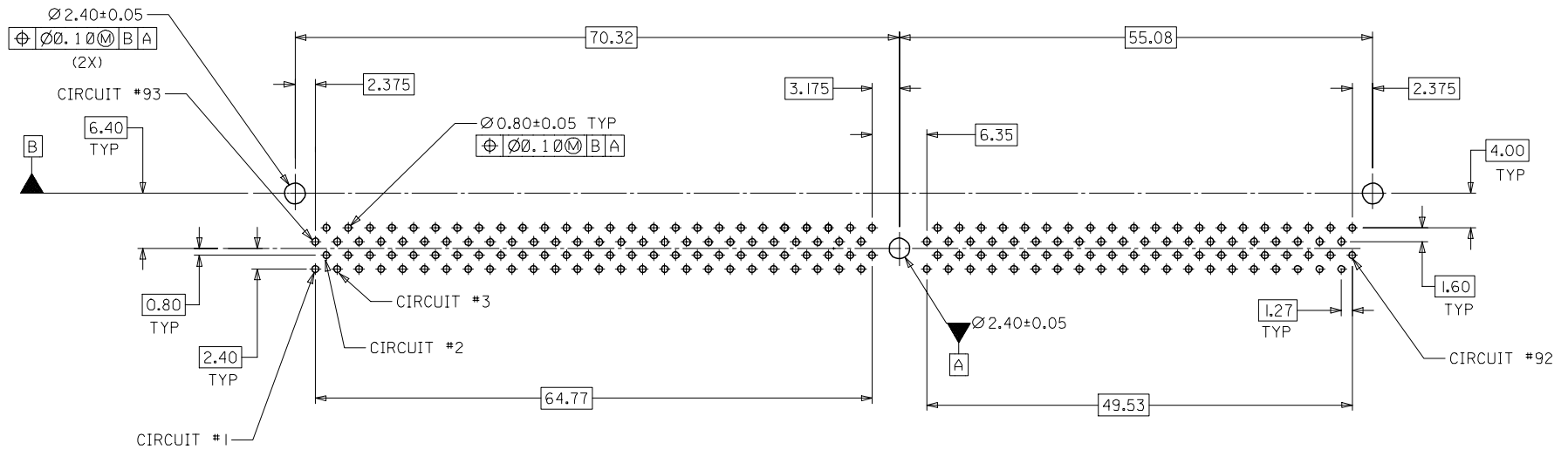
GENERAL TOLERANCES (UNLESS SPECIFIED)		
	mm	INCH
4 PLACES	± ---	± ---
3 PLACES	± ---	± ---
2 PLACES	± 0.25	± ---
1 PLACE	± ---	± ---
ANGULAR ± 5 °		
DRAFT WHERE APPLICABLE MUST REMAIN WITHIN DIMENSIONS		

DIMENSION STYLE		SCALE	DESIGN UNITS	THIRD ANGLE PROJECTION
MM ONLY		NTS	METRIC	
DRAWN BY	DATE	TITLE		
MLONG	2000/12/21	DDR DIMM, 1.27MM PITCH		
CHECKED BY	DATE	184 CKTS, R/A		
SQUEK	2000/12/29			
APPROVED BY	DATE			
SKTOH	2000/12/29			
MATERIAL NO.	DOCUMENT NO.	SHEET NO.		
SEE TABLE	SD-87655-001	1 OF 3		

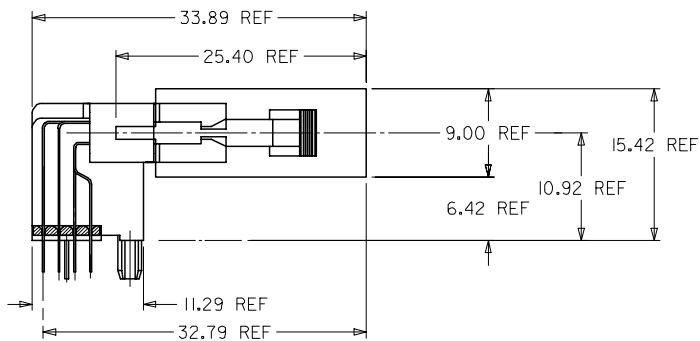
MOLEX INCORPORATED	
THIS DRAWING CONTAINS INFORMATION THAT IS PROPRIETARY TO MOLEX INCORPORATED AND SHOULD NOT BE USED WITHOUT WRITTEN PERMISSION	

9 8 7 6 5 4 3 2 1

CONTACT AREA	PART NUMBER	VOLTAGE KEY	TAIL LENGTH P±0.25	RECOMMENDED PCB THICKNESS
0.38µm/15µ" MIN. GOLD	87655-0004	LEFT (2.5V)	2.79	1.57
	87655-0005		3.18	
0.76µm/30µ" MIN. GOLD	87655-0007		2.79	



RECOMMENDED
P.C. BOARD HOLE PATTERN
(CONNECTOR SIDE)



ACTUAL MODULE HEIGHT AND CLEARANCE
WHEN USING A 9.00MM THICK BY 25.40MM HEIGHT
MODULE (TYPICAL SOJ PACKAGING).

OBS TIN/LEAD P/N	EC NO: S2006-0746	2006/02/27
	DRWN:MLONG	2006/02/28
	CHKD:IHO	2006/02/28
	APPR:GGLLEE	2006/02/28

QUALITY SYMBOLS	DESCRIPTION
▽=0	
▽C=0	

GENERAL TOLERANCES (UNLESS SPECIFIED)	mm	INCH
	4 PLACES ± ---	± ---
	3 PLACES ± ---	± ---
	2 PLACES ± 0.25	± ---
	1 PLACE ± ---	± ---
	ANGULAR ± 5 °	
DRAFT WHERE APPLICABLE MUST REMAIN WITHIN DIMENSIONS		

DIMENSION STYLE		SCALE	DESIGN UNITS	THIRD ANGLE PROJECTION
MM ONLY		NTS	METRIC	
DRAWN BY	DATE	TITLE	MOLEX INCORPORATED	
MLONG	2000/12/21	DDR DIMM, 1.27MM PITCH		
CHECKED BY	DATE	184 CKTS, R/A		
SQUEK	2000/12/29			
APPROVED BY	DATE	SKTOH	2000/12/29	
MATERIAL NO.	SEE TABLE		DOCUMENT NO.	SHEET NO.
			SD-87655-001	2 OF 3

THIS DRAWING CONTAINS INFORMATION THAT IS PROPRIETARY TO MOLEX INCORPORATED AND SHOULD NOT BE USED WITHOUT WRITTEN PERMISSION	
---	--

