



# Frontier Electronics Corp.

667 E. COCHRAN STREET, SIMI VALLEY, CA 93065

TEL: (805) 522-9998 FAX: (805) 522-9989

E-mail: [frontiersales@frontierusa.com](mailto:frontiersales@frontierusa.com)

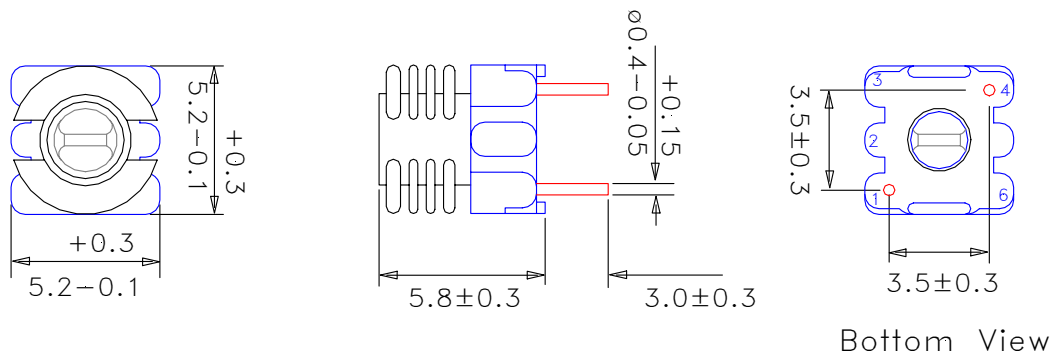
Web: [frontierusa.com](http://frontierusa.com)

## Tunable Hi-Q RF Coils—5YN series

### A. Electrical specification:

P/N	Pin	Specification					
		Test Freq. (MHz)	L Min. (nH)	L Nom. (nH)	L Max. (nH)	Q (Min.) @L Nom.	DCR (mΩ MAX)
5YN201	Pin (1-4)	110	35.5	38.4	41.4	30	75.0
5YN202	Pin (1-4)	110	55.1	62.5	72.9	40	73.0
5YN203	Pin (1-4)	60	85.1	99.1	119.1	50	98.0
5YN204	Pin (1-4)	60	127.0	149.7	180.4	55	105.0
5YN205	Pin (1-4)	60	167.9	201.0	246.9	60	120.0
5YN206	Pin (1-4)	25.2	245.0	310.0	357.0	75	155.0
5YN207	Pin (1-4)	25.2	237.0	350.0	400.0	80	170.0
5YN208	Pin (1-4)	25.2	388.0	460.0	510.0	85	185.0
5YN209	Pin (1-4)	25.2	415.0	540.0	620.0	90	195.0
5YN210	Pin (1-4)	25.2	500.0	650.0	760.0	85	210.0

### B. Mechanical dimensions: (Unit: mm)



### 5YNxxx series

### C. General Information:

1. Can be tunable.
2. Excellent temperature coefficient.
3. For high frequency operation up to GHz.
4. Unique winding configuration and custom magnet wire.
5. **RoHS** compliant.

**Patent Pending**