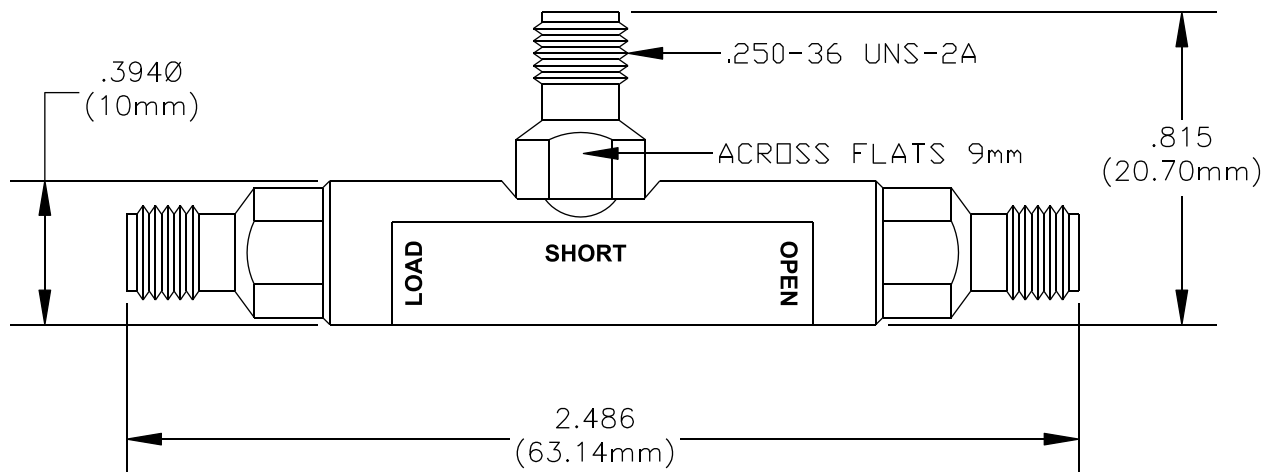


MATERIALS

BODY	BRASS WHITE BRONZE PLATED
CONTACT	GOLD PLATED
INSULATOR	PS/PEEK



SPECIFICATIONS

Impedance	50Ω ± 0.5Ω
Frequency	DC – 26.5 GHz
Open Return Loss	≤ 0.15 dB, DC – 4 GHz ≤ 0.30 dB, 4 GHz – 26.5 GHz
Short Return Loss	≤ 0.10 dB, DC – 4 GHz ≤ 0.20 dB, 4 GHz – 26.5 GHz
Load Return Loss	≤ 40.0 dB, DC – 4 GHz ≤ 30.0 dB, 4 GHz – 26.5 GHz
Power Handling	0.5 W
Temp Range	-40°C to +70°C



PASTERNAK ENTERPRISES, INC.

P.O BOX 16759, IRVINE, CA 92623
PHONE (949) 261-1920 FAX (949) 261-7451

WEB ADDRESS: www.pasternack.com
E-MAIL ADDRESS: sales@pasternack.com

COAXIAL & FIBER OPTICS

DWG TITLE

PE5510

DES. 3.5mm FEMALE 3-PORT FIELD CALIBRATION TOOL

REV. A **FSCM NO. 53919**

CAD FILE 100208

SCALE N/A

SIZE A 127

NOTES:

1. UNLESS OTHERWISE SPECIFIED ALL DIMENSIONS ARE NOMINAL.
2. ALL SPECIFICATIONS ARE SUBJECT TO CHANGE WITHOUT NOTICE AT ANY TIME.
3. DIMENSIONS ARE IN INCHES.