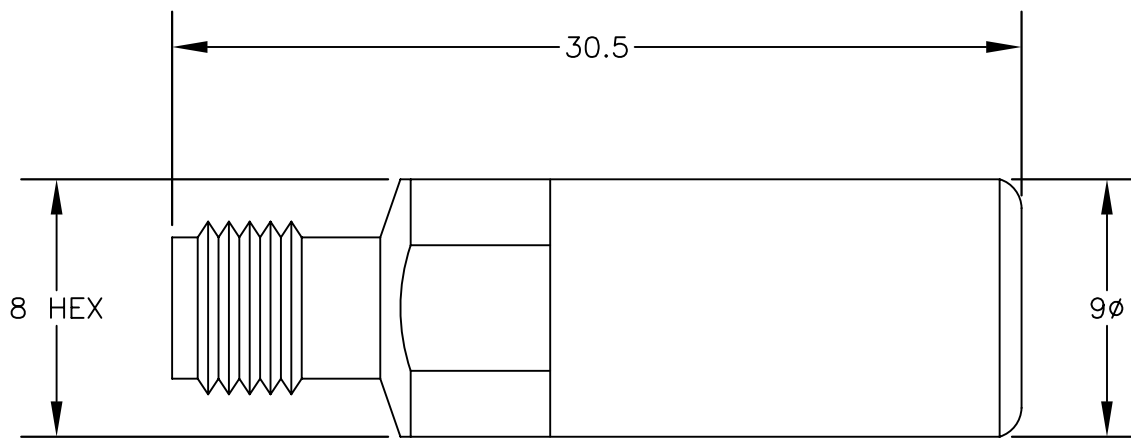


MATERIALS

BODY	PASSIVATED STAINLESS STEEL
CONTACT	GOLD PLATED
INSULATOR	PTFE



SPECIFICATIONS

FREQUENCY RANGE: DC TO 26.5 GHz

RETURN LOSS:

DC TO 4 GHz = 40 dB

4 GHz TO 26.5 = 30 dB

POWER HANDLING: 0.5 WATT



PASTERNACK ENTERPRISES, INC.

P.O BOX 16759, IRVINE, CA 92623
PHONE (949) 261-1920 FAX (949) 261-7451

WEB ADDRESS: www.pasternack.com
E-MAIL ADDRESS: sales@pasternack.com

COAXIAL & FIBER OPTICS

DWG TITLE

PE5500-6

DES. BROADBAND LOAD, 3.5mm FEMALE

SIZE A	FSCM NO. 53919	CAD FILE 011007	SCALE N/A	147
--------	-----------------------	-----------------	-----------	-----

NOTES:

1. UNLESS OTHERWISE SPECIFIED ALL DIMENSIONS ARE NOMINAL.
2. ALL SPECIFICATIONS ARE SUBJECT TO CHANGE WITHOUT NOTICE AT ANY TIME.
3. ALL DIMENSIONS ARE IN mm.