

# Customer Information Sheet

DRAWING No.: M20-E04XXXX

SHEET 2 OF 2

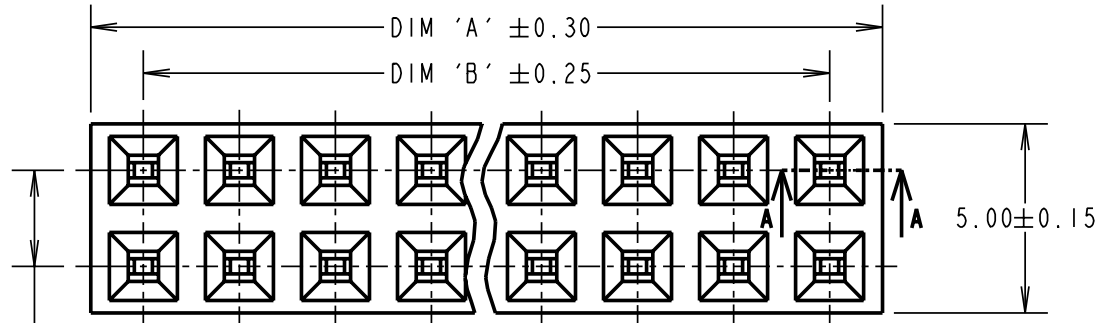
IF IN DOUBT - ASK

(C)

NOT TO SCALE

THIRD ANGLE PROJECTION

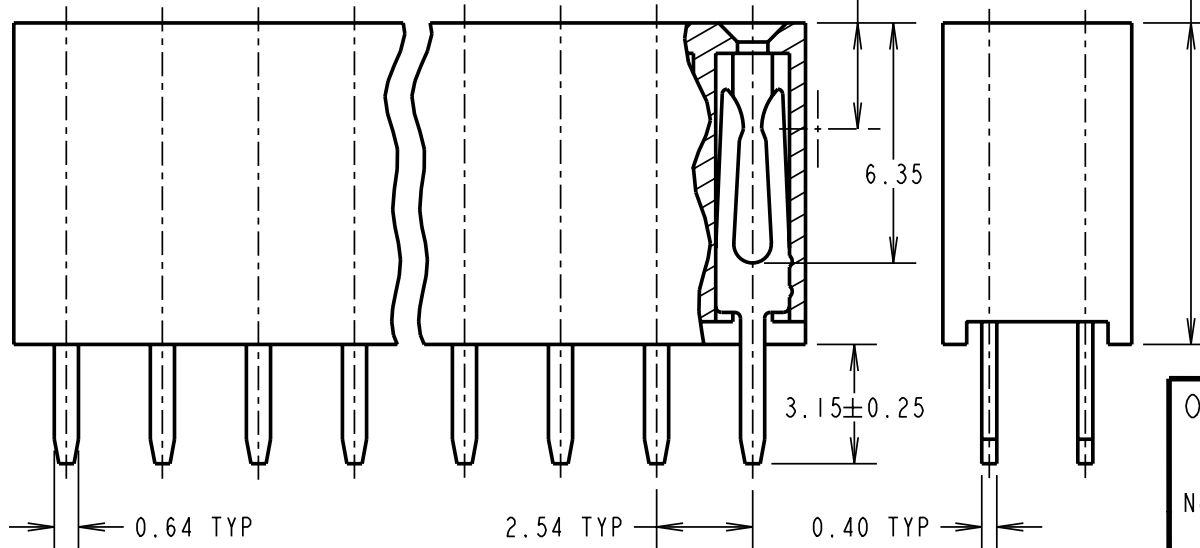
ALL DIMENSIONS IN mm



2.54 ± 0.20

PART SECTION A-A  
CONTACT POINT

8.50 ± 0.15



PART No.	No. OF CONTACTS	DIM 'A'	DIM 'B'
M20-E0402XX	2 + 2	5.33	2.54
M20-E0403XX	3 + 3	7.87	5.08
M20-E0404XX	4 + 4	10.41	7.62
M20-E0405XX	5 + 5	12.95	10.16
M20-E0408XX	8 + 8	20.57	17.78
M20-E0410XX	10 + 10	25.65	22.86

**SPECIFICATIONS:**

**MATERIAL:**

MOULDING = 30% GLASS-FILLED PA6T, UL94V-0, BLACK  
CONTACT = PHOSPHOR BRONZE

**FINISH:**

CONTACT = 100% TIN OVER NICKEL

**ELECTRICAL:**

CURRENT RATING = 3A

VOLTAGE RATING = 500V AC/DC

CONTACT RESISTANCE:

INITIAL = 20mΩ MAX

AFTER CONDITIONING = 30mΩ MAX

INSULATION RESISTANCE = 1,000MΩ MIN

DIELECTRIC STRENGTH = 1,000V AC / 1 MINUTE

**MECHANICAL:**

DURABILITY = 300 OPERATIONS

INSERTION FORCE = 3N MAX

WITHDRAWAL FORCE = 0.3N MIN

**ENVIRONMENTAL:**

TEMPERATURE RANGE = -40°C TO +105°C

**PACKING:**

BOX

**Asia only**

WJB 1 08.02.08 ----

NAME ISS. DATE C/NOTE

APPROVED: R. ADDE

CHECKED: B. KENT

DRAWN: W. J. BOURNE

CUSTOMER REF.:

ASSEMBLY DRG:

ORDER CODE:

**M20-E04XXXX**

No. OF CONTACTS PER ROW  
02, 03, 04, 05, 08, 10

FINISH

46 = 100% TIN

**NOTES:**

1. RECOMMENDED PCB HOLE SIZE =  $\varnothing 1.02 \pm 0.05$ mm.

**HARWIN**

THIS DRAWING AND ANY INFORMATION OR DESCRIPTIVE MATTER SET OUT HEREON ARE CONFIDENTIAL AND COPYRIGHT PROPERTY OF THE HARWIN GROUP AND MUST NOT BE DISCLOSED, LOANED, COPIED OR USED FOR MANUFACTURING, TENDERING OR FOR ANY OTHER PURPOSE WITHOUT THEIR WRITTEN PERMISSION.

**TOLERANCES**

X. = ±1mm  
X.X = ±0.25mm  
X.XX = ±0.10mm  
X.XXX = ±0.01mm

ANGLES = ±5°

UNLESS STATED

**MATERIAL:**

SEE ABOVE

**FINISH:**

SEE ABOVE

**S/AREA:**

mm<sup>2</sup>

**TITLE:**

2.54mm PITCH DIL VERTICAL SOCKET ASSY (TUNING FORK)

**DRAWING NUMBER:**

**M20-E04XXXX**

SHT  
2  
OF  
2

HARWIN INC  
U.S.A.  
TEL: 603 893 5376  
FAX: 603 893 5396  
mis@harwin.com

HARWIN PLC  
Europe (U.K.)  
TEL: 023 9231 4545  
FAX: 023 9231 4590  
mis@harwin.co.uk

HARWIN PTE  
Asia (Singapore)  
TEL: +65 6779 4909  
FAX: +65 6779 3868  
mis@harwin.com.sg