

Single E1 Transceiver

CP5021_PB_Rev1.0, March,2005

OVERVIEW

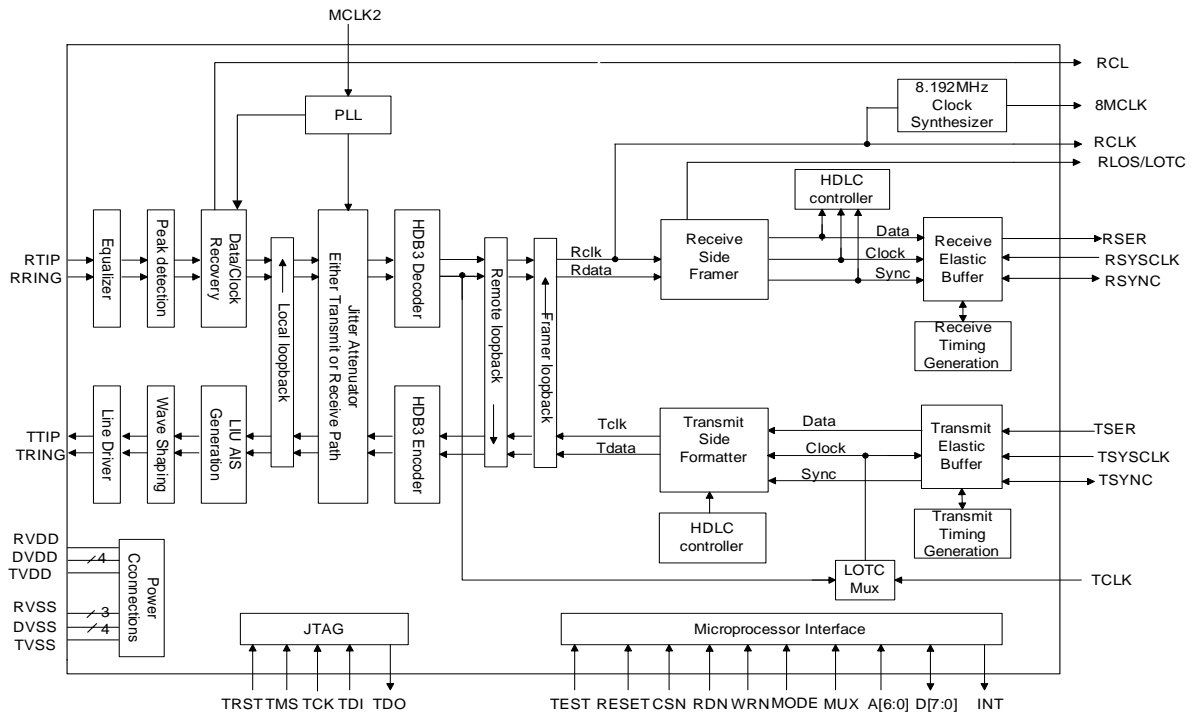
The CP5021 is a single E1 transceiver designed by Chiphomer Technology Limited. It integrates a short haul E1 line interface unit and an E1 framer into a single chip.

FEATURES

- Complete E1 transceiver
- Short haul line interface for clock/data recovery
- Programmable Waveform Shaper
- 32-bit or 64-bit crystal-less jitter attenuator
- Supports framed or unframed data receive and transmit
- Supports FAS, CAS, CCS and CRC4 formats
- Dual 512-bit elastic buffers respectively for receive and transmit direction; controlled slip capability and slip indication
- Supports Sa and Si bits insertion and extraction
- Detects and generates Receive Carrier Loss (RCL), Synchronization Loss (RLOS), AIS, remote alarm, and remote multi-frame alarms
- CAS signaling insertion and extraction
- Integrated HDLC controller with two 64-byte buffers configurable for Sa bit and sub DS0 operation
- Provides three types of loopback for system testing purpose
- 8 bit parallel microprocessor interface supports either multiplexed or non-multiplexed bus with Intel or Motorola mode
- Statistic counters for Bipolar and code violations, CRC4 code word errors, FAS word errors, and E bits
- IEEE 1149.1 JTAG boundary scan
- 3.3 V CMOS technology with 5V tolerant I/O
- Power consumption less than 150mW



LQFP64
-40 to 85 °C



Single E1 TransceiverCP5021_PB_Rev1.0, March,2005

- Operating industrial temperature range: -40°C ~ 85°C
- LQFP64 package

APPLICATIONS

- CO, PBX
- Digital Access Cross Connect Systems (DACS)
- VoIP Gateways, Multiplexer
- Wireless Base Stations

RELATED PRODUCTS

- CH5008: 8ch E1 LIU
- CP5008: 8ch E1 LIU Enhancement
- CP5009: 8ch E1/T1/J1 LIU
- CP5018: 8ch E1 Framer
- CP5024: Quad E1 Transceiver
- CP5028: Octal E1 Transceiver



Chiphomer Technology Limited

Add: 4F, Building D, 1618 Yishan Road, Shanghai, P.R.C.

Tel: +86-(0)21-64058488, 64014543

Fax: +86-(0)21-64050030

Email: sales@chiphomer.comWeb: www.chiphomer.com