

# AEC-6510

IP-65 Washable Embedded Controller With AMD Geode™ LX Processor

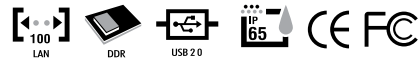
11

BOXER G Series - Fanless Embedded Controller Solutions



## Features

- Fanless AMD Geode™ LX 800 Processor
- IP-65 Protection
- COM x 2, VGA, LAN, USB
- Mini Size
- Robust Architecture
- Low Power Consumption
- Built-in Connectors



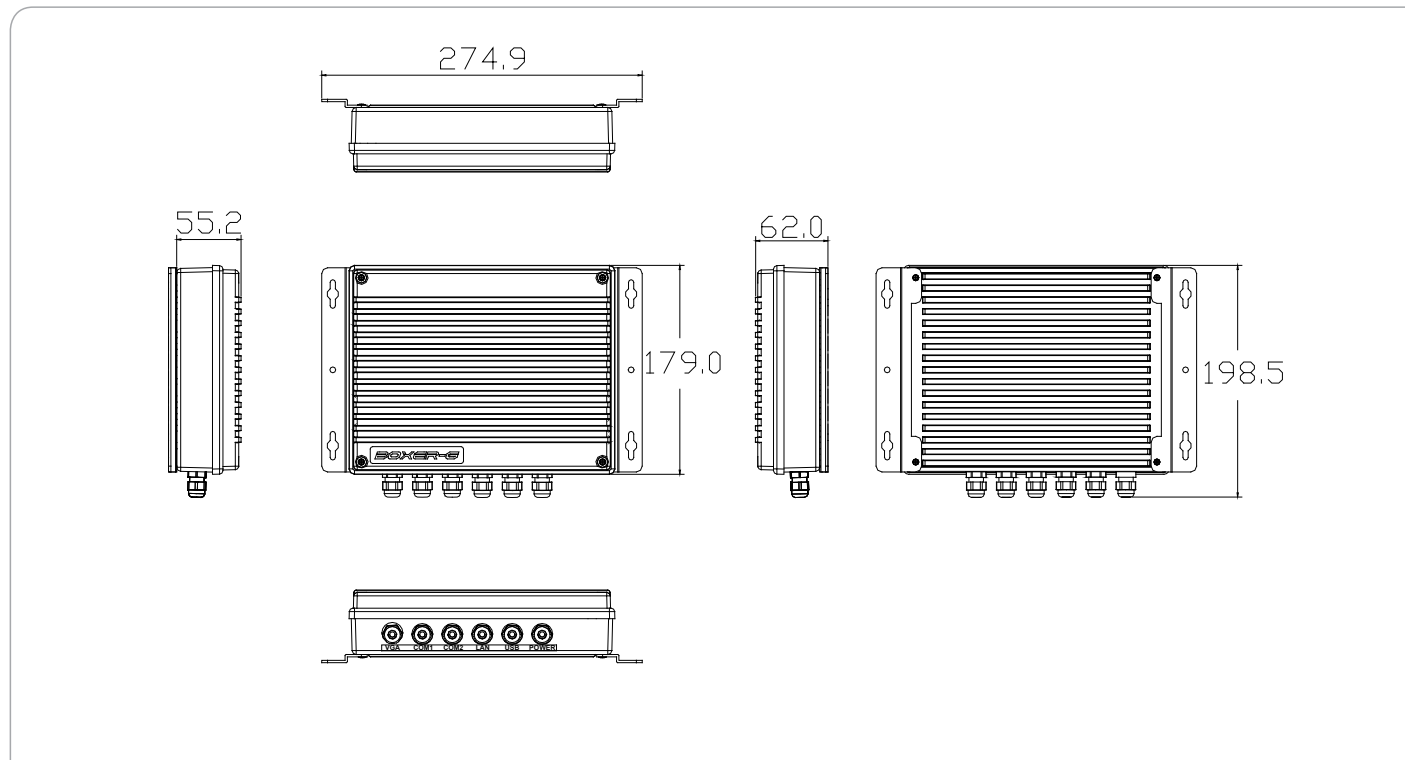
## Specifications

CPU	AMD Geode™ LX800 500 MHz	
Chipset	AMD Geode™ LX	
System Memory	DDR RAM SODIMM x 1, Max. 512 MB	
Display Interface	VGA	DB-15 x 1, shared system memory up to 254MB
	DVI	—
	Others	—
Storage Device	SSD	CompactFlash™ Slot
	HDD	—
Network	LAN	10/100 Base-TX Ethernet, RJ-45 x 1
	Wireless	—
Front I/O	USB Host	USB2.0 x 2
	LAN	RJ-45 x 1
	Serial Port	RS-232 x 1, RS-232/422/485 x 1
	DIO	—
	Audio	—
	KB/MS	—
	Others	VGA x 1, Power input x 1
Rear I/O	USB Host	—
	LAN	—
	Serial Port	—
	DIO	—
	Audio	—
	KB/MS	—
Expansion	PCIe [x1]	—
	PCI	—
	Mini Card	—
	Mini PCI	1
	Others	—
Indicator	Front	—
	Rear	—
Power Requirement	DC-in 9-30V	
Power Consumption	AMD Geode™ LX 800 500 MHz, 0.45A@12V	
System Cooling	Passive Cooling	
Mounting	Wallmount	
Operating Temperature	-4°F ~ 158°F (-20°C ~ 70°C)	
Storage Temperature	-4°F ~ 158°F (-20°C ~ 70°C)	
Anti-Vibration	5 g rms/ 5 ~ 500Hz/ operation (CompactFlash™)	
Anti-Shock	50 G peak acceleration (11 msec. duration) (CompactFlash™)	
MTBF	70,000	
Certification	EMC	CE /FCC Class A
	Safety	—
Dimension (W x H x D)	10.8"(L) x 7.83"(H) x 2.44"(D) (275mm x 199mm x 62mm)	
Gross Weight	6.16 lb (2.8 Kg)	

# AEC-6510

## Dimension

Unit: mm



## Ordering Information

- **TF-AEC-6510-A1-1010**  
Embedded Controller, AMD Geode™ LX 800 500 MHz, Fanless, DC9-30V, 2COM, 1USB, 1LAN, 1VGA, w/o Cable Kit

## Optional Accessories

- **1957904004**  
(TF) Power Adapter, 12V, 40W, FSP, FSP040-DGAA1, for AEC-6510
- **1702031802**  
Power Cord (US Type)
- **1702031803**  
Power Cord (European Type)
- **170203180E**  
Power Cord (Japanese Type)
- **1700080304**  
LAN Cable for AEC-6520 & AEC-6510 (30cm)
- **1700100402**  
USB Cable for AEC-6520/6510 (40cm)
- **1700150305**  
VGA Cable for AEC-6520/6510 (30cm)
- **1700090307**  
RS-232 Cable for AEC-6520/6510 (30cm)
- **1700090404**  
DB-9 Cable for AEC-6520/6510 (30cm)