

**PLEASE CHECK WWW.MOLEX.COM FOR LATEST PART INFORMATION**

**Part Number:** [0873400686](#)  
**Status:** **Active**  
**Description:** 2.00mm (.079") Pitch Milli-Grid™ Receptacle, Surface Mount (Very Low Profile), Top Entry, without Locating Pegs, with Pick-and-Place Cap, 0.76µm (30µ") Gold (Au) Plating, 6 Circuits, Lead-free, Embossed Tape on Reel

**Documents:**

[3D Model](#) [Product Specification PS-87340 \(PDF\)](#)  
[Drawing \(PDF\)](#) [RoHS Certificate of Compliance \(PDF\)](#)

**Agency Certification**

CSA LR19980  
 UL E29179

**General**

Product Family PCB Receptacles  
 Series [87340](#)  
 Application Board-to-Board  
 Comments With Cap  
 Product Name Milli-Grid™

**Physical**

Circuits (Loaded) 6  
 Color - Resin Black  
 Durability (mating cycles max) 25  
 Flammability 94V-0  
 Glow-Wire Compliant No  
 Lock to Mating Part Yes  
 Material - Metal Phosphor Bronze  
 Material - Plating Mating Gold  
 Material - Plating Termination Tin  
 Material - Resin High Temperature Thermoplastic  
 Number of Rows 2  
 Orientation Vertical  
 PCB Locator No  
 PCB Retention None  
 Packaging Type Embossed Tape on Reel  
 Pitch - Mating Interface (in) 0.079 In  
 Pitch - Mating Interface (mm) 2.00 mm  
 Plating min: Mating (µin) 30  
 Plating min: Mating (µm) 0.76  
 Plating min: Termination (µin) 76  
 Plating min: Termination (µm) 1.9  
 Polarized to Mating Part No  
 Polarized to PCB No  
 Robotic Placement Pick and Place Cap  
 Temperature Range - Operating -55°C to +105°C  
 Termination Interface: Style Surface Mount

**Electrical**

Current - Maximum per Contact 1A  
 Voltage - Maximum 125V

**Solder Process Data**

Duration at Max. Process Temperature (seconds) 14  
 Lead-free Process Capability Reflow Capable (SMT only)  
 Max. Cycles at Max. Process Temperature 1

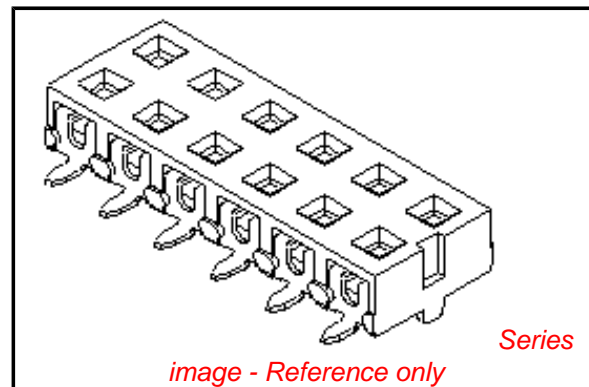


image - Reference only

**EU RoHS**

**ELV and RoHS Compliant**  
**REACH SVHC**  
 Not Reviewed  
**Halogen-Free Status**  
**Not Reviewed**

**China RoHS**



**Need more information on product environmental compliance?**

Email [productcompliance@molex.com](mailto:productcompliance@molex.com)  
 For a multiple part number RoHS Certificate of Compliance, [click here](#)

Please visit the [Contact Us](#) section for any non-product compliance questions.

**Search Parts in this Series**

[87340Series](#)

**Mates With**

[87759](#) Vertical, Surface Mount, Stackable PCB Headers, [87760](#) Right Angle, Through Hole, Stackable PCB Headers, [87758](#) Vertical, Through Hole, Stackable PCB Headers

Process Temperature max. C 265

**Material Info**

**Reference - Drawing Numbers**

Product Specification  
Sales Drawing

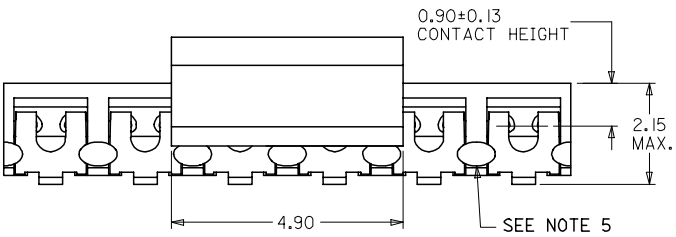
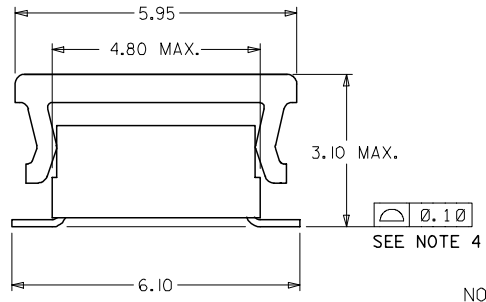
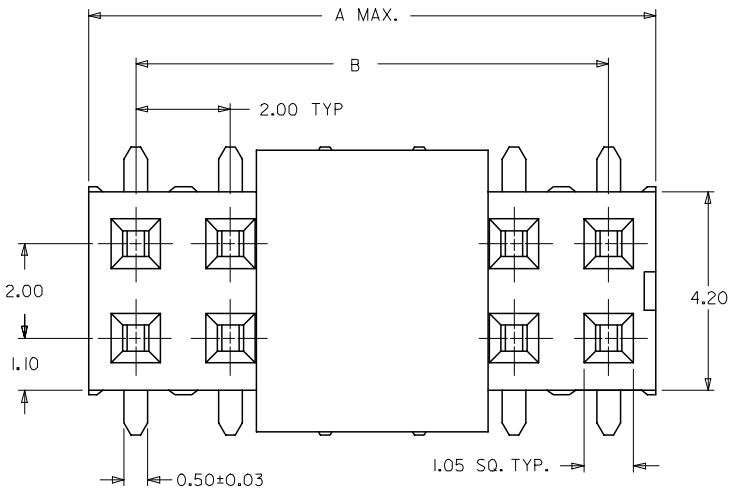
PS-87340  
SD-87340-\*\*74

This document was generated on 05/03/2010

**PLEASE CHECK [WWW.MOLEX.COM](http://WWW.MOLEX.COM) FOR LATEST PART INFORMATION**

10 9 8 7 6 5 4 3 2 1

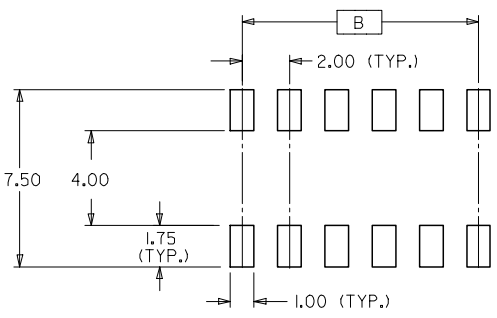
PART NUMBER (WITH CAP IN TUBE)	PART NUMBER (WITH CAP IN TAPE & REEL)	CKT. SIZE	DIM. A	DIM. B
87340-04*5	87340-04*6	04	4.00	2.00
87340-06*5	87340-06*6	06	6.00	4.00
87340-08*5	87340-08*6	08	8.00	6.00
87340-10*5	87340-10*6	10	10.00	8.00
87340-12*5	87340-12*6	12	12.00	10.00
87340-16*5	87340-16*6	16	16.00	14.00



**PART NO. LEGEND**

87340 - \* \* \* \*  
 CKTS SIZE  
 PLATING OPTIONS (SEE NOTE 3)  
 PACKAGING OPTIONS  
 5 - PACKAGED IN TUBE.  
 6 - PACKAGED IN TAPE & REEL.

- NOTES :
- FOR ILLUSTRATION PURPOSES, DRAWING SHOWS PART 12 CIRCUIT SIZE.
  - MATERIAL :  
HOUSING :  
LCP GLASS FILLED, UL 94V-0  
SUITABLE FOR SURFACE-MOUNT SOLDERING PROCESS.  
COLOR : BLACK  
TERMINAL :  
PHOSPHOR BRONZE ALLOY
  - PLATING FINISH:  
- \*\*7\*  
0.38um MIN GOLD AT TERMINAL CONTACT AREA.  
1.90um MIN TIN IN SOLDER TAIL AREA BOTH OVER  
1.27um MIN NICKEL OVERALL.  
- \*\*8\*  
0.76um MIN GOLD AT TERMINAL CONTACT AREA.  
1.90um MIN TIN IN SOLDER TAIL AREA BOTH OVER  
1.27um MIN NICKEL OVERALL.
  - COPLANARITY OF P.C TAIL TO BE MEASURED BY RESTING THE PART ON A FLAT GAGE SURFACE.
  - THIS AREA OF PART TO BE HEAT-STAKED TO RETAIN CONTACTS.
  - POSITION OF CAP TO BE LOCATED AT CENTRE OF DIMENSION 'A' REGARDLESS OF CIRCUIT SIZE.
  - PRODUCT SPECIFICATION PS-87340 APPLIES.
  - PART TO BE PACKED IN TUBE OR TAPE & REEL. SEE SHEET 2 FOR PACKAGING DETAILS.
  - CONTACT FACTORY FOR PARTS AVAILABILITY.



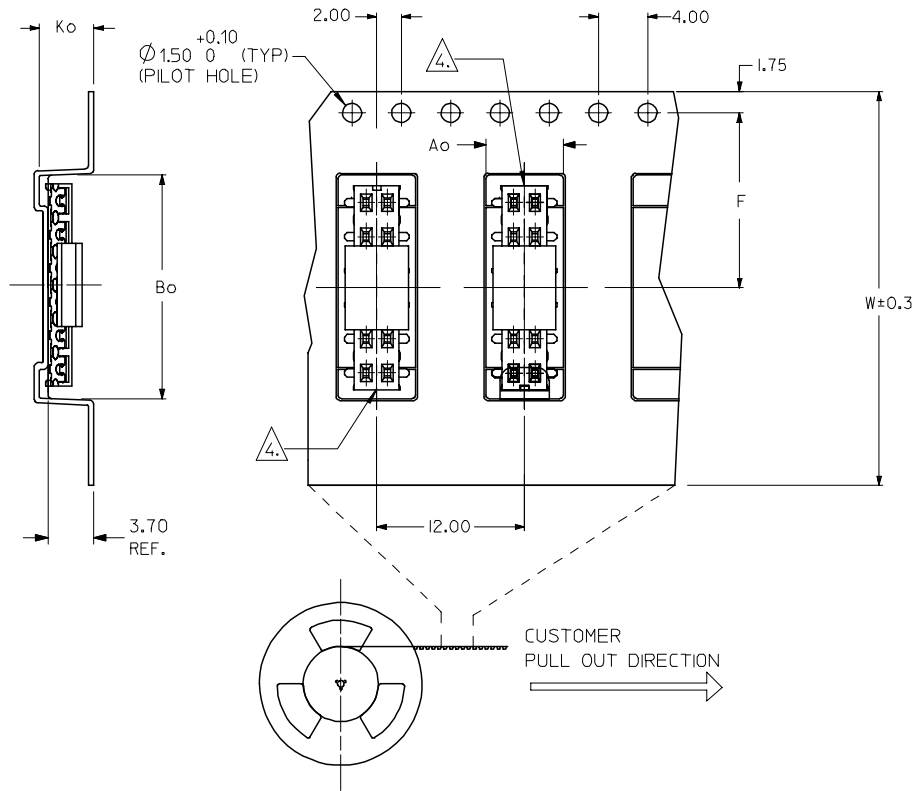
RECOMMENDED SOLDER PAD DESIGN (NTS)

PDR#S-001595-00-00 EC NO: S2007-1036 DRWNS:KANG CHKD:ATSEE APPR:MLONG	2007/06/13	2007/06/14	2007/06/14
	2007/06/13	2007/06/14	2007/06/14
	2007/06/13	2007/06/14	2007/06/14
	2007/06/13	2007/06/14	2007/06/14

QUALITY SYMBOLS ▽=0 ▽=0	GENERAL TOLERANCES (UNLESS SPECIFIED)	DIMENSION STYLE MM ONLY	SCALE NTS	DESIGN UNITS METRIC	THIRD ANGLE PROJECTION
		mm	DATE	TITLE	
	4 PLACES ± --- ± ---	INCH	PTL IM 1996/04/03	MGRID, VLPR II TOP ENTRY RECEPTACLE W/O LOC PEGS, SMT	
	3 PLACES ± --- ± ---		CHECKED BY DATE		
	2 PLACES ± 0.20 ± ---		SKTOH 1996/04/08		
	1 PLACE ± --- ± ---		APPROVED BY DATE		
	ANGULAR ± 3 °		RWONG 1996/04/19		
	DRAFT WHERE APPLICABLE MUST REMAIN WITHIN DIMENSIONS	SEE TABLE	MATERIAL NO.	DOCUMENT NO. SD-87340-**74	SHEET NO. 1 OF 2
			SIZE A3	THIS DRAWING CONTAINS INFORMATION THAT IS PROPRIETARY TO MOLEX INCORPORATED AND SHOULD NOT BE USED WITHOUT WRITTEN PERMISSION	

9 8 7 6 5 4 3 2 1

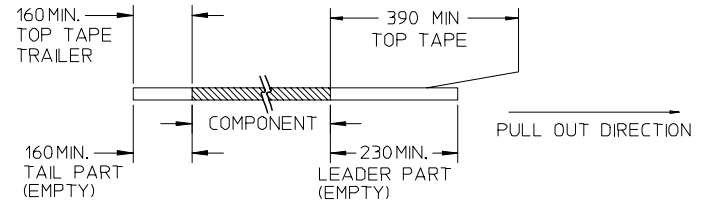
EMBOSSED CARRIER TAPE WITH DIMENSIONS  
(12 CKT IS SHOWN FOR ILLUSTRATION ONLY)



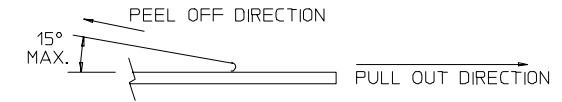
PART NO (WITH CAP IN TAPE & REEL)	CKT SIZE	Ao	Bo	F	W	Ko
87340-0476	04	6.70	5.30	11.50	24.00	5.30
87340-0676	06	6.70	6.40	11.50	24.00	5.30
87340-0686	06	6.70	6.40	11.50	24.00	5.30
87340-0876	08	6.70	8.50	11.50	24.00	5.30
87340-1076	10	6.70	10.40	11.50	24.00	5.30
87340-1276	12	6.70	12.40	11.50	24.00	5.30
87340-1686	16	6.70	16.30	11.50	24.00	5.30

NOTES:

1. LEADER AND TRAILER TAPE



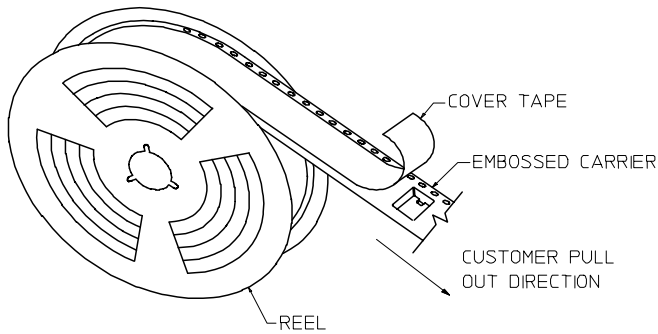
2. PEELING OFF FORCE OF THE TOP TAPE: 20-80gf.  
(PEELING DIRECTION AS SHOWN IN FOLLOWING FIGURE)



3. PACKAGING STANDARD IS AS PER EIA-481.

4. TAPE & REEL QUANTITY = 1000 PCS/REEL

5. NO FIX ORIENTATION OF ASSEMBLY PART IN T&R.



TAPE AND REEL ASSEMBLY SHOWN IS FOR ILLUSTRATION ONLY

PDR#S-001595-00-00	2007/06/13
EC NO: S2007-1036	2007/06/14
DRWN:SKANG	2007/06/14
CHKD:ATSEE	2007/06/14
APPR:MLONG	2007/06/14

QUALITY SYMBOLS	DESCRIPTION
▽=0	
▽C=0	
D2	REV

GENERAL TOLERANCES (UNLESS SPECIFIED)	
	mm INCH
4 PLACES	± --- ± ---
3 PLACES	± --- ± ---
2 PLACES	± 0.20 ± ---
1 PLACE	± --- ± ---
ANGULAR ± 3 °	
DRAFT WHERE APPLICABLE MUST REMAIN WITHIN DIMENSIONS	

DIMENSION STYLE MM ONLY	
DRAWN BY	DATE
PTL IM	1996/04/03
CHECKED BY	DATE
SKTOH	1996/04/08
APPROVED BY	DATE
RWONG	1996/04/19
MATERIAL NO.	DOCUMENT NO.
SEE TABLE	SD-87340-**74
SIZE	SHEET NO.
A3	2 OF 2

SCALE	DESIGN UNITS	THIRD ANGLE PROJECTION
NTS	METRIC	
MGRID, VLPR II TOP ENTRY RECEPTACLE W/O LOC PEGS, SMT		
MOLEX INCORPORATED		
THIS DRAWING CONTAINS INFORMATION THAT IS PROPRIETARY TO MOLEX INCORPORATED AND SHOULD NOT BE USED WITHOUT WRITTEN PERMISSION		