

# Spezifikation für Freigabe / specification for release

Kunde / customer :

Artikelnummer / part number :

**76877530**

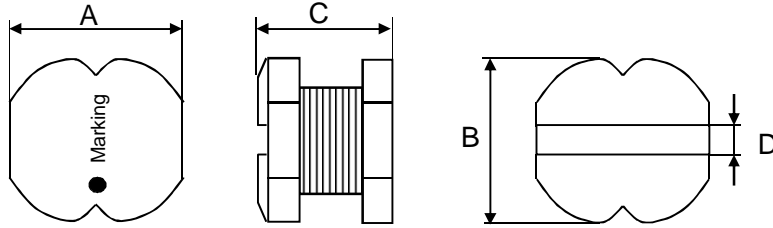


Bezeichnung : **WE-PD2 High Voltage**

description : **WE-PD2 High Voltage**

DATUM / DATE : 2009-11-03

## A Mechanische Abmessungen / dimensions:



	Typ L	
A	<b>7,0 ± 0,3</b>	mm
B	<b>7,8 ± 0,3</b>	mm
C	<b>5,0 ± 0,5</b>	mm
D	<b>3,0 ref</b>	mm
E	<b>7,5 ref</b>	mm
F	<b>8,0 ref</b>	mm
G	<b>2,0 ref</b>	mm
H	<b>3,0 ref</b>	mm

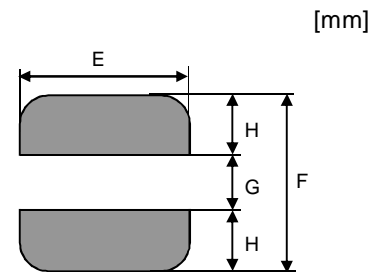
● = Start of winding

Marking = Inductance code

## B Elektrische Eigenschaften / electrical properties:

## C Lötpad / soldering spec.:

Eigenschaften / properties	Testbedingungen / test conditions		Wert / value	Einheit / unit	tol.
Induktivität / inductance	<b>100 kHz / 0,25V</b>	L	<b>1000</b>	μH	± 10%
DC-Widerstand / DC-resistance	<b>@ 20°C</b>	R <sub>DC typ</sub>	<b>2,78</b>	Ω	typ.
DC-Widerstand / DC-resistance	<b>@ 20°C</b>	R <sub>DC max</sub>	<b>3,30</b>	Ω	max.
Nennstrom / rated current	<b>ΔT=40 K</b>	I <sub>DC</sub>	<b>0,30</b>	A	max.
Sättigungsstrom / saturation current	<b> ΔL/L &lt;10%</b>	I <sub>sat</sub>	<b>0,30</b>	A	typ.



## D Prüfgeräte / test equipment:

**Wayne Kerr 3260B** für/for L<sub>0</sub>

**Dostmann T905 Thermometer** für/for I<sub>DC</sub>

**Baker DWX-05-PD** für/for Surge/Impuls test

**400VDC spannungsfest gemäß WESTD1516**

## E Testbedingungen / test conditions:

Luftfeuchtigkeit / humidity: 33%

Umgebungstemperatur / temperature: +20°C

## F Werkstoffe & Zulassungen / material & approvals:

Basismaterial / base material:	Ferrit
Endoberfläche / finishing electrode:	Sn/Cu - 99,3/0,7%
Draht / wire:	Class H

## G Eigenschaften / general specifications:

Betriebstemp. / operating temperature: -40°C - + 125°C  
 Umgebungstemp. / ambient temperature: -40°C - + 85°C  
 It is recommended that the temperature of the part does not exceed 125°C under worst case operating conditions

Freigabe erteilt / general release:	<b>Kunde / customer</b>				
Datum / date	Unterschrift / signature				
	<b>Würth Elektronik</b>				
Geprüft / checked	Kontrolliert / approved		MST	Version 1	09-11-03
			Name	Änderung / modification	Datum / date

**Würth Elektronik eiSos GmbH & Co.KG**

D-74638 Waldenburg · Max-Eyth-Strasse 1 - 3 · Germany · Telefon (+49) (0) 7942 - 945 - 0 · Telefax (+49) (0) 7942 - 945 - 400  
<http://www.we-online.com>

# Spezifikation für Freigabe / specification for release

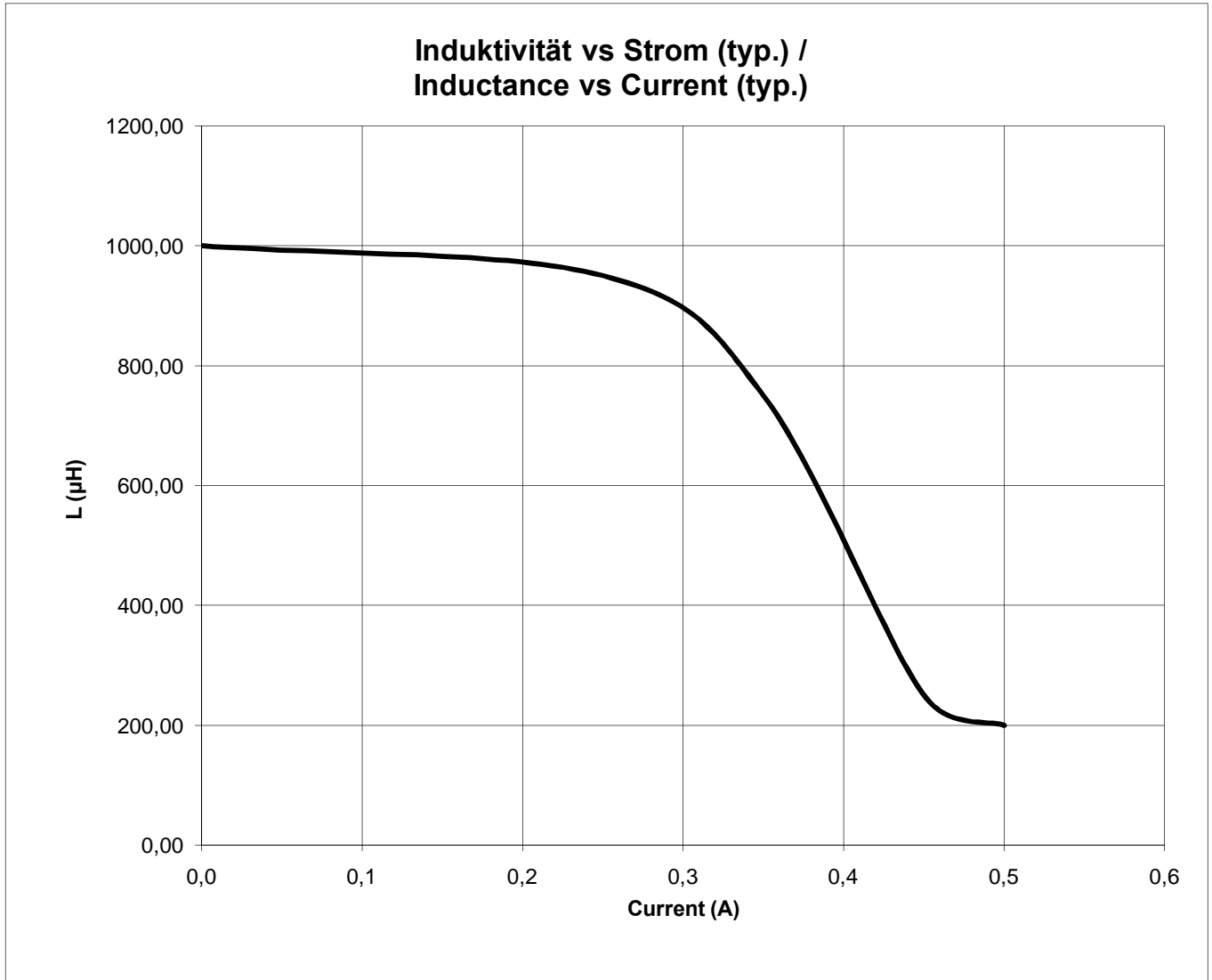
Kunde / customer : \_\_\_\_\_  
 Artikelnummer / part number : **76877530**  
 Bezeichnung : **WE-PD2 High Voltage**  
 description : **WE-PD2 High Voltage**

LF



DATUM / DATE : 2009-11-03

## H Induktivitätskurve / Inductance curve :



Freigabe erteilt / general release:	<b>Kunde / customer</b>			
Datum / date	Unterschrift / signature			
	<b>Würth Elektronik</b>			
Geprüft / checked	Kontrolliert / approved	MST	Version 1	09-11-03
		Name	Änderung / modification	Datum / date

**Würth Elektronik eiSos GmbH & Co.KG**

D-74638 Waldenburg · Max-Eyth-Strasse 1 - 3 · Germany · Telefon (+49) (0) 7942 - 945 - 0 · Telefax (+49) (0) 7942 - 945 - 400  
<http://www.we-online.com>

# Spezifikation für Freigabe / specification for release

Kunde / customer : \_\_\_\_\_

Artikelnummer / part number : \_\_\_\_\_

**76877530**

LF



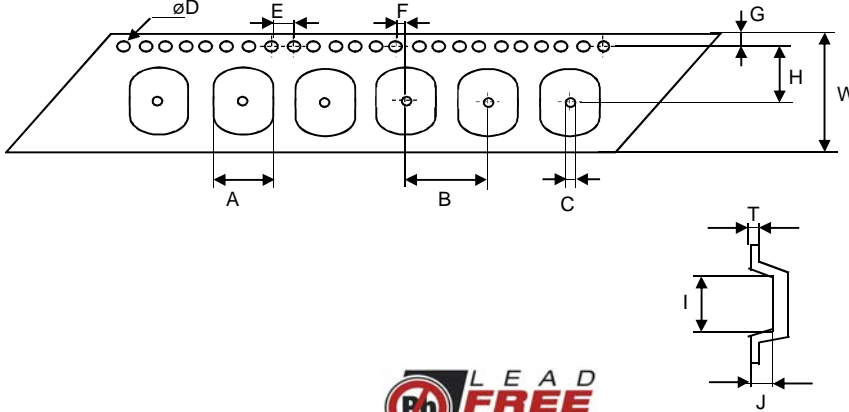
Bezeichnung : **WE-PD2 High Voltage**

description : **WE-PD2 High Voltage**

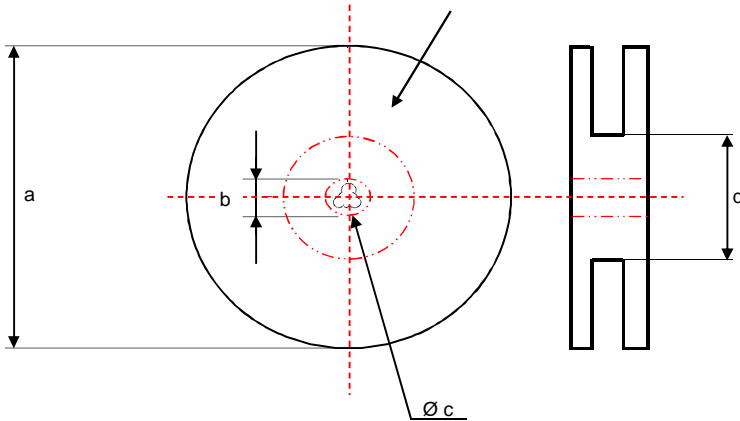
DATUM / DATE : 2009-11-03

**I Rollenspezifikation / tape and reel specification:**

Gurtspezifikation / Tape specification:

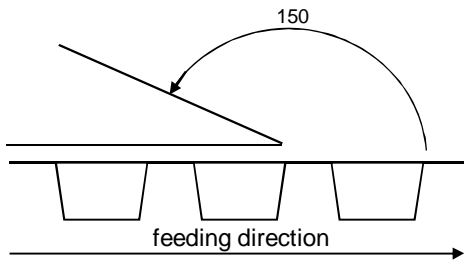


A	<b>7,14 ± 0,1</b>	mm
B	<b>12,0 ± 1,0</b>	mm
C	<b>1,50 <sup>+0,1</sup><sub>-0,0</sub></b>	mm
D	<b>1,50 <sup>+0,1</sup><sub>-0,0</sub></b>	mm
E	<b>4,00 ± 0,1</b>	mm
F	<b>2,00 ± 0,1</b>	mm
G	<b>1,75 ± 0,1</b>	mm
H	<b>7,50 ± 0,1</b>	mm
I	<b>8,00 ± 0,1</b>	mm
J	<b>5,00 ± 0,1</b>	mm
T	<b>0,35 ± 0,05</b>	mm
W	<b>16,0 ± 0,3</b>	mm



Rollenspezifikation / Reel specification:

a	<b>330,0 ± 0,5</b>	mm
b	<b>20,20 ± 0,1</b>	mm
c	<b>13,00 <sup>+0,5</sup><sub>-1,0</sub></b>	mm
d	<b>100,0 ± 1,0</b>	mm



The force for tearing off cover tape is 20 to 70 grams in arrow direction

Freigabe erteilt / general release:	<b>Kunde / customer</b>		
Datum / date	Unterschrift / signature		
	<b>Würth Elektronik</b>		
Geprüft / checked	Kontrolliert / approved	MST	Version 1
		Name	Änderung / modification
			Datum / date
			09-11-03

This electronic component has been designed and developed for usage in general electronic equipment. Before incorporating this component into any equipment where higher safety and reliability is especially required or if there is the possibility of direct damage or injury to human body, for example in the range of aerospace, aviation, nuclear control, submarine, transportation, (automotive control, train control, ship control), transportation signal, disaster prevention, medical, public information network etc, Würth Elektronik eiSos GmbH must be informed before the design-in stage. In addition, sufficient reliability evaluation checks for safety must be performed on every electronic component which is used in electrical circuits that require high safety and reliability functions or performance.

**Würth Elektronik eiSos GmbH & Co.KG**

D-74638 Waldenburg · Max-Eyth-Strasse 1 - 3 · Germany · Telefon (+49) (0) 7942 - 945 - 0 · Telefax (+49) (0) 7942 - 945 - 400

<http://www.we-online.com>