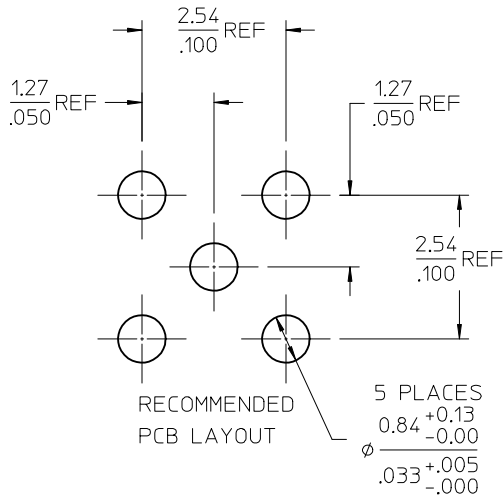
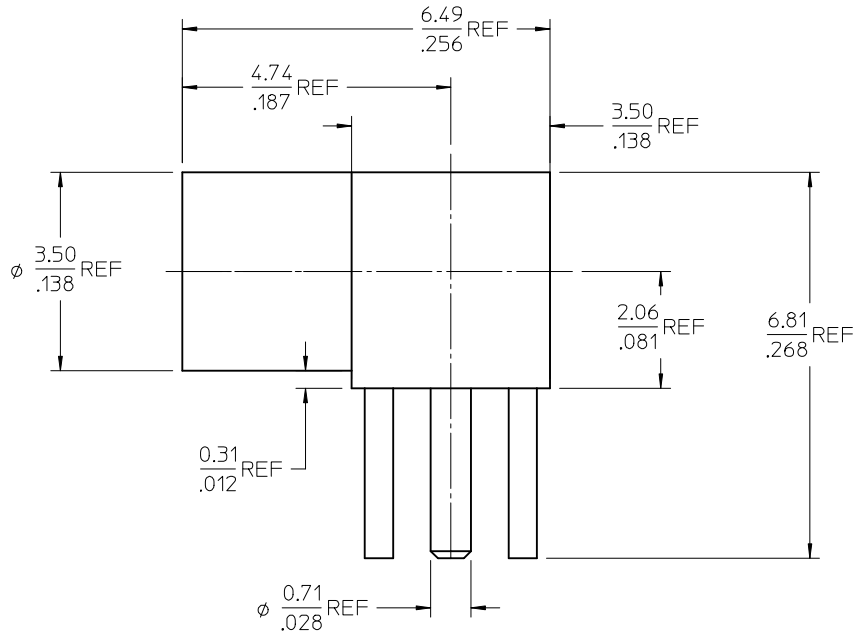
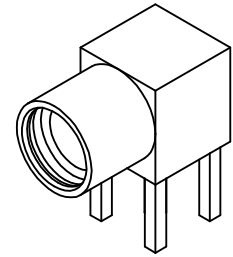


MATERIALS AND FINISHES

BODY BRASS
PLATED SEE TABLE

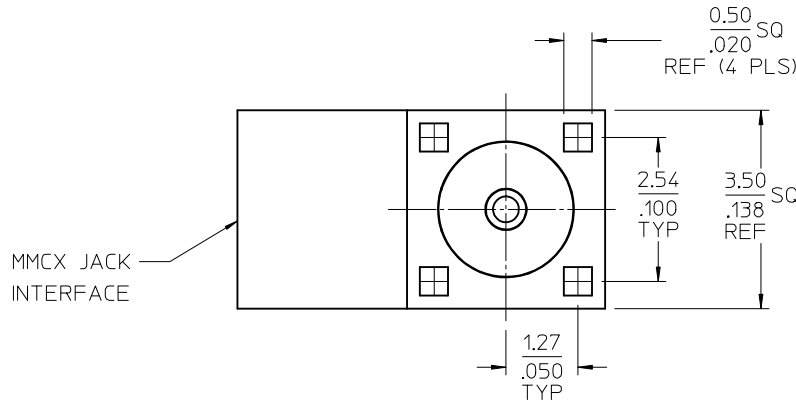
CENTER CONTACT BERYLLIUM COPPER
PLATED GOLD

INSULATOR TEFLON



RECOMMENDED
PCB LAYOUT

5 PLACES
0.84 +0.13
-0.00
Ø
0.33 +0.005
-.000



73415-1003	TRI-M	BULK
73415-1002	GOLD (COMMERCIAL)	ONE PER BAG
73415-1001	GOLD (COMMERCIAL)	BULK
73415-1000	GOLD (MILITARY)	BULK
PART NO.	BODY PLATING	PACKAGING

PS-89675-1920	ELECTRICAL/MECHANICAL
SPECIFICATION	DESCRIPTION

CHG: ADDED P/N
73415-1003
INTERFACE SPEC WAS
PS-73599-0000-016
PCB HOLE SIZE WAS
Ø.033±.002

EC NO: URF2013-0028
DRWN:JWIENER 2012/07/12
CHKD:SSS 2012/07/12
APPR:JWIENER 2012/07/13

DESCRIPTION

REV: D2

QUALITY SYMBOLS

GENERAL TOLERANCES (UNLESS SPECIFIED)

	mm	INCH
4 PLACES	± .005	± .0004
3 PLACES	± .003	± .0002
2 PLACES	± .002	± .0001
1 PLACE	± .001	± .00005

ANGULAR ± 2°

DRAFT WHERE APPLICABLE
MUST REMAIN
WITHIN DIMENSIONS

DIMENSION STYLE
MM/IN

DRAWN BY DATE
JM 2005/07/22

CHECKED BY DATE
JM 2005/07/22

APPROVED BY DATE
JDW 2005/07/22

MATERIAL NO.
SEE TABLE

SIZE
C

SCALE
DESIGN UNITS
METRIC

THIRD ANGLE PROJECTION

TITLE
MMCX JACK, R/A, PCB
50 OHMS
MMCX-J/PCB EWR-2734

MOLEX INCORPORATED

DOCUMENT NO.
SD-73415-100

SHEET NO.
1 OF 1

THIS DRAWING CONTAINS INFORMATION THAT IS PROPRIETARY TO MOLEX INCORPORATED AND SHOULD NOT BE USED WITHOUT WRITTEN PERMISSION