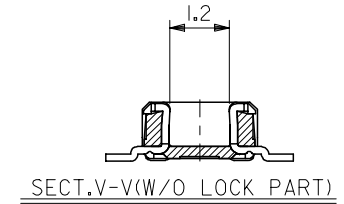
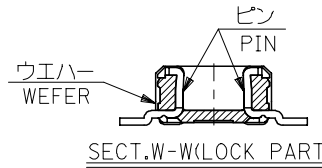
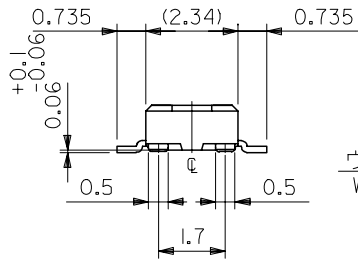


注記 NOTES:

- 使用材料 MATERIAL
  - ウエハー:液晶ポリマー ガラス充填 UL94V-0 (黒)
  - WAFER:LIQUID CRYSTAL POLYMER(GLASS FILLED)
  - UL94V-0 (COLOR:BLACK)
  - ピン:黄銅 (t=0.15)
  - PIN:BRASS(t=0.15)
  - 金具:リン青銅 (t=0.2)
  - FITTING NAIL:PHOSPHOR BRONZE(t=0.2)
- メッキ仕様 PLATING
  - ピン PIN
  - 金メッキ 0.25マイクロメートル以上 (コンタクト部)
  - GOLD 0.25MICROMETER MINIMUM (CONTACT AREA)
  - 金メッキ 0.4 マイクロメートル以下 (テール部)
  - GOLD 0.4MICROMETER MAXIMUM (TAIL AREA)
  - 下地メッキ:ニッケルメッキ1.5 マイクロメートル以上
  - UNDER PLATING :NICKEL 1.5MICROMETER MINIMUM
  - 金具 FITTING NAIL
  - 錫メッキ 1.0 マイクロメートル以上
  - TIN 1.0MICROMETER MINIMUM
  - 下地メッキ:ニッケルメッキ1.0 マイクロメートル以上
  - NICKEL 1.0MICROMETER MINIMUM

- △(全極数/2) = 偶数の場合に適用。  
 APPLY FOR (CIRCUIT/2)=EVEN.
- 嵌合相手: 54518-\*\*\*9  
 MATE WITH : 54518-\*\*\*9
  - テール平坦度は、0.08以下  
 テール及び金具の平坦度は、0.1以下  
 TAIL COPLANARITY TO BE 0.08MAXIMUM  
 TAIL AND FITTING NAIL  
 COPLANARITY TO BE 0.1MAXIMUM
  - 本製品は55372-\*\*\*7の鉛フリー品である。  
 THIS PRODUCT IS LEAD FREE OF 55372-\*\*\*7.

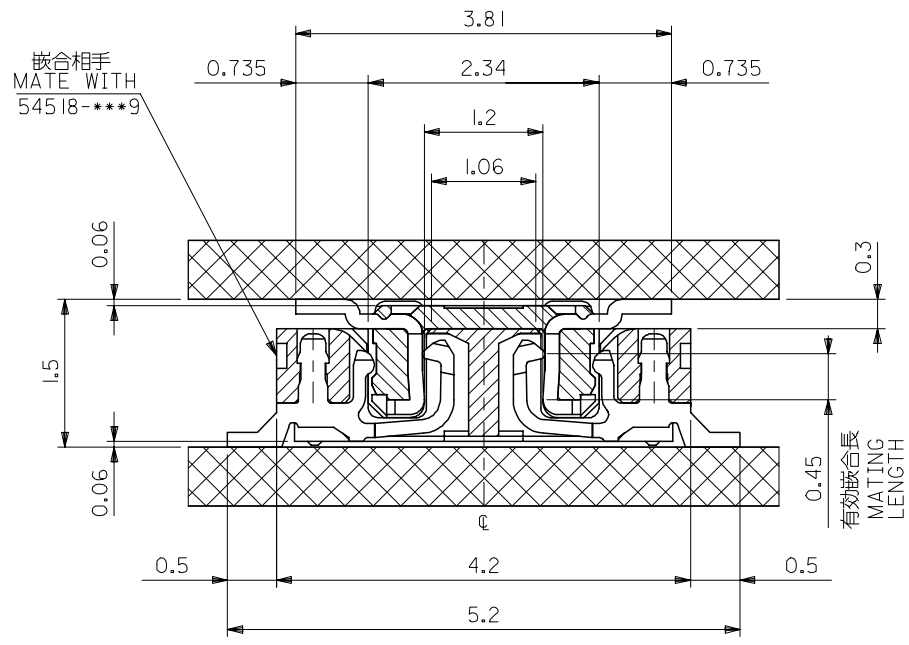


NON	20.54	21.9	19.6	22.85	55372-1009	100
	16.54	17.9	15.6	18.85	55372-0809	80
6,8,10,21,23,25	12.54	13.9	11.6	14.85	55372-0609	60
LOCK POSITION	D	C	B	A	MATERIAL NO.	CKT.

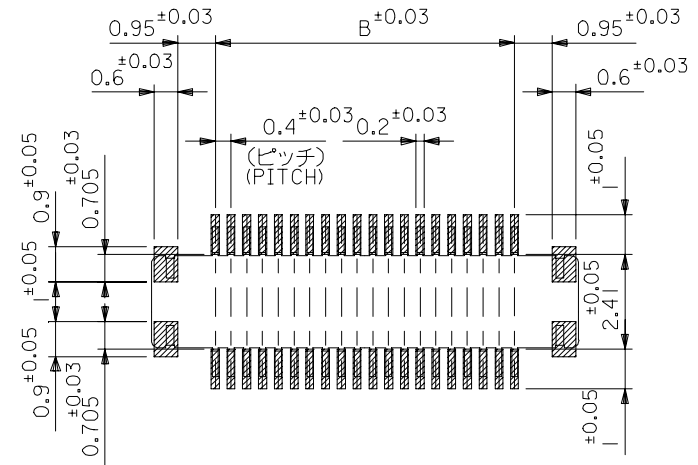
MODEL NO. 55372-\*\*\*9

REVISED EC NO: J2005-3837 DRW:ESUZUKI CHK:KATOJO APPR:NUKITA 2005/06/23 2005/06/24 2005/06/30	GENERAL TOLERANCES (UNLESS SPECIFIED)		DIMENSION STYLE MM ONLY		SCALE ---	DESIGN UNITS METRIC	THIRD ANGLE PROJECTION
	10 UNDER	± 0.2	DRAWN BY TUENO	DATE 04/05/10	TITLE 0.4 B-TO-B CONN. PLUG (HGT=1.5) WITH NAIL -LEAD FREE-		
	10 OVER 30 UNDER	± 0.25	CHECKED BY MSASAO	DATE 04/05/10			
	30 OVER	± 0.3	APPROVED BY MSASAO	DATE 04/05/10	MOLEX INCORPORATED		
	ANGULAR	± 3 °	MATERIAL NO.	DOCUMENT NO.			
DRAFT WHERE APPLICABLE MUST REMAIN WITHIN DIMENSIONS		SEE CHART		SD-55372-012		1 OF 2	

SIZE A3 THIS DRAWING CONTAINS INFORMATION THAT IS PROPRIETARY TO MOLEX INCORPORATED AND SHOULD NOT BE USED WITHOUT WRITTEN PERMISSION

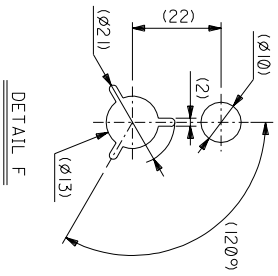
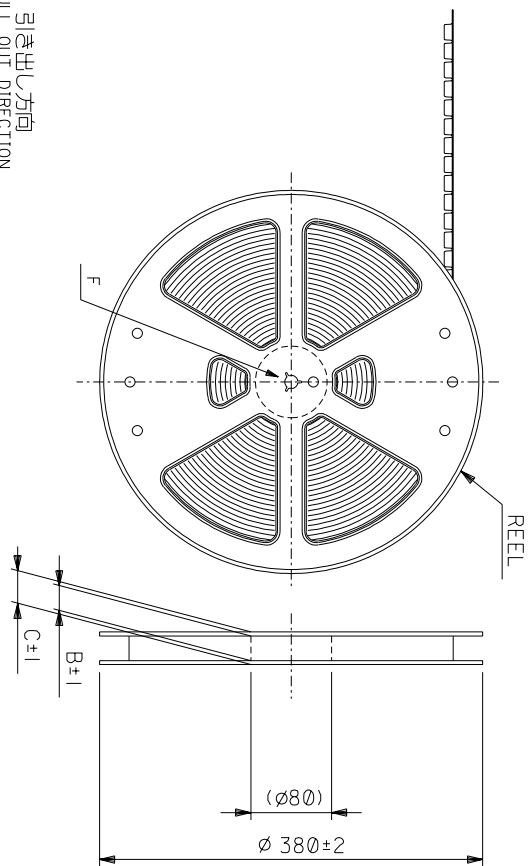


嵌合断面図 (参考)  
MATED DRAWING (REFERENCE)

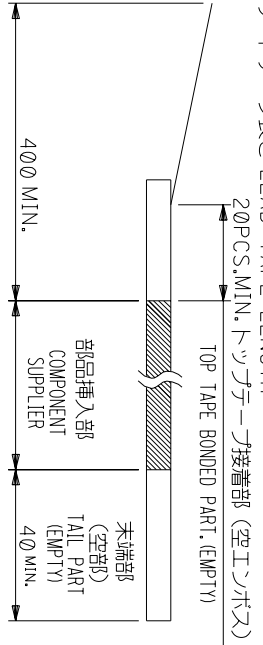


参考基板レイアウト (マウント面)  
P.C.BOARD PATTERN DIMENSION (REFERENCE)  
(MOUNTING AREA)

REVISED EC NO: J2005-3837 DRW: N. SUZUKI CHK: K. TOJO APPR: N. KITA	DESCRIPTION 2005/06/23 2005/06/24 2005/06/30	GENERAL TOLERANCES (UNLESS SPECIFIED)		DIMENSION STYLE	SCALE	DESIGN UNITS	MODEL NO.	
				MM ONLY	---	METRIC	55372-***9	
		10 UNDER	±0.2	DRAWN BY	DATE	TITLE		
		10 OVER 30 UNDER	±0.25	TUENO	04/05/10	0.4 B-TO-B CONN. PLUG (HGT=1.5) WITH NAIL -LEAD FREE-		
30 OVER	±0.3	CHECKED BY	DATE	MSASAO	04/05/10			
ANGULAR	±3 °	APPROVED BY	DATE	MSASAO	04/05/10			
DRAFT WHERE APPLICABLE MUST REMAIN WITHIN DIMENSIONS		MATERIAL NO.	SEE CHART	DOCUMENT NO.	SD-55372-012			
A		SIZE	A3	THIS DRAWING CONTAINS INFORMATION THAT IS PROPRIETARY TO MOLEX INCORPORATED AND SHOULD NOT BE USED WITHOUT WRITTEN PERMISSION			SHEET NO.	2 OF 2



引き出し方向  
PULL OUT DIRECTION

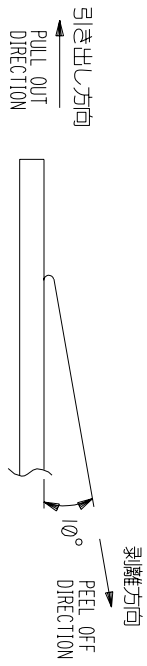


NOTES

1. 製品詳細寸法については図面 SD-55372-012 を参照下さい。  
RE DETAILED DIMENSION, SEE SD-55372-012
2. 梱包数量：3000個/リール  
NUMBER OF CONNECTORS：3000PCS/REEL
3. リートテープ長さ LEAD TAPE LENGTH  
20PCS. MIN. リートテープ接着部 (空インボス)

4. トッパテープの剥離強度：0.1N～1.3N(10gf～130gf)  
(剥離方向は下図参照)  
尚、本規格値は出荷時に適用。(但し、輸送時に剥離が発生しないこと。)

PEELING OFF FORCE OF TOP TAPE：0.1N～1.3N(10gf～130gf)  
(PEELING DIRECTION AS SHOWN IN FOLLOWING FIG.)  
THIS REQUIREMENT SHOULD BE APPLIED AT SHIPMENT.  
PEEL OFF SHOULD NOT BE ALLOWED, DURING TRANSPORTATION.



5. 材料 (MATERIAL)  
キャリアテープ (CARRIER TAPE)：ポリプロピレン (POLYPROPYLENE)  
トッパテープ (TOP TAPE)：PET, PE, PEF  
リール (REEL)：ポリスチレン (P.S.) <リサイクル材を含む>  
POLYSTYRENE (P.S.) <RECYCLE MATERIAL CONTAINED>
6. 本製品は 55372-\*\*\*8 の船クレーン品である。  
THIS PRODUCT IS LEAD FREE OF 55372-\*\*\*8.

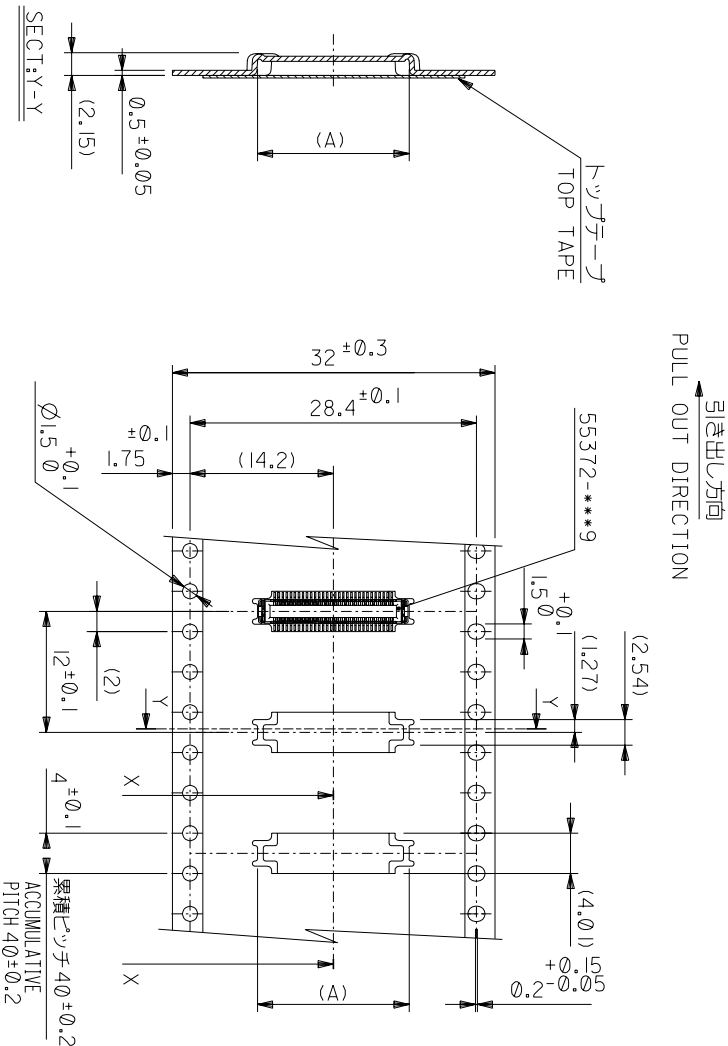
8	204NO. DRWN: CH'K: APPR:	203NO. DRWN: CH'K: APPR:	202NO. DRWN: CH'K: APPR:	201NO. DRWN: CH'K: APPR:	RELEASED '04/05/10 200NO. J2004-4128 DRWN: T.UENO CH'K: M.SASAO APPR: M.SASAO
---	-----------------------------------	-----------------------------------	-----------------------------------	-----------------------------------	---

REV	DESCRIPTION
INS. RANGE 被覆外径	—
WIRE RANGE 適用電線範囲	—
FINISH 仕上り	—

GENERAL TOLERANCES: (UNLESS SPECIFIED)	
10 UNDER	+0.2
10 OVER	+0.25
30 UNDER	+0.3
30 OVER	+0.3
ANGLE 角度	±3°

SCALE	DESIGN UNITS
—	<input checked="" type="checkbox"/> mm <input type="checkbox"/> INCH
DRAWN BY & DATE	T.UENO '04/05/10
CHECKED BY & DATE	M.SASAO '04/05/10
APPROVED BY & DATE	M.SASAO '04/05/10

MODEL NO.	55372-***78	DIMENSIONS:	SHT	REV
DESIGN ANGLE	<input checked="" type="checkbox"/> mm <input type="checkbox"/> INCH	PROJECTION	<input type="checkbox"/> mm <input type="checkbox"/> INCH	<input checked="" type="checkbox"/> mm <input type="checkbox"/> INCH
TITLE:	0.4 B+B Conn PLUG (Hgt=1.5) W/NAIL Embstp pkg -LEAD FREE-			
MATERIAL NO.	MOLEX INCORPORATED	DRAWING NO.	SD-55372-013	SHEET NO. 1 OF 3
SEE CHART				SIZE B

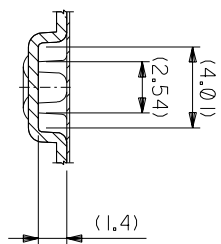
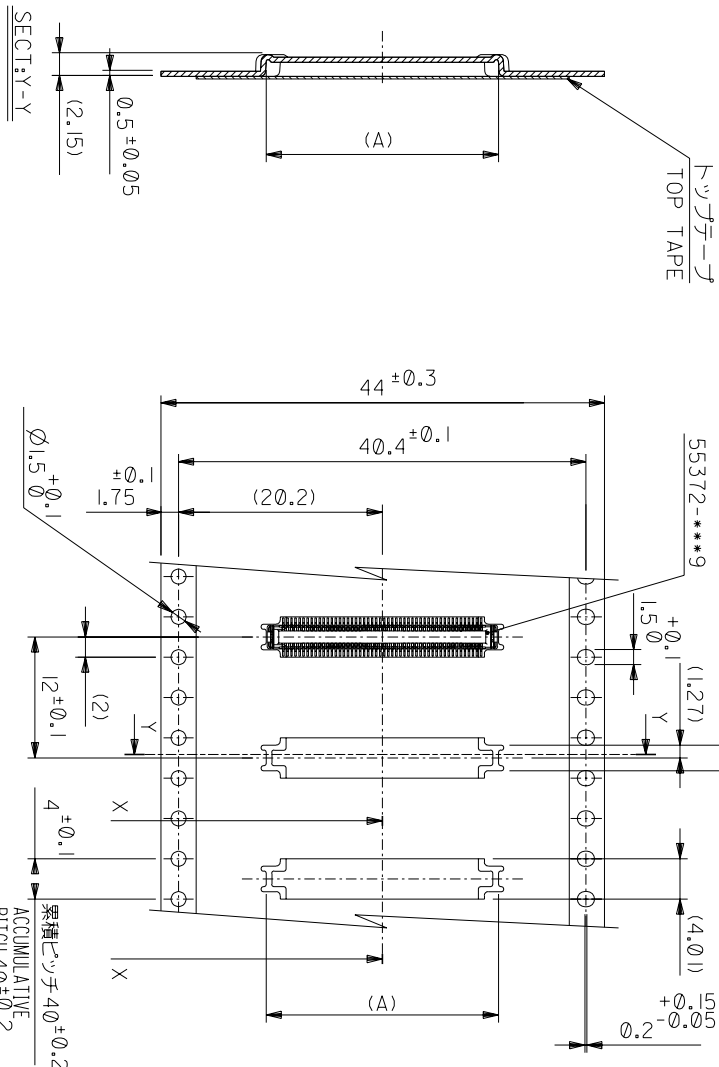


32mm幅キヤリテープ  
32mm WIDTH CARRIER TAPE

8	264NO. DRWN: CH'K: APPR:	263NO. DRWN: CH'K: APPR:	262NO. DRWN: CH'K: APPR:	261NO. DRWN: CH'K: APPR:	REV	DESCRIPTION
6	RELEASED '04/05/10 260NO. J2004-4128 DRWN: T.UENO CH'K: M.SASAO APPR: M.SASAO					

MATERIAL	材料	GENERAL TOLERANCES: (UNLESS SPECIFIED)
	注記参照 SEE NOTES	10 UNDER ±0.2 30 OVER ±0.25 100 OVER ±0.3 300 OVER ±0.3
FINISH	仕上り	ANGLE 角度 ±3°
WIRE RANGE	適用電線範囲	
INS. RANGE	被覆外径	

SCALE	DRAWN BY & DATE	DESIGN UNITS	MODEL NO.	DESIGN NO.	PROJECTION	DIMENSIONS:	SHT	REV
1/1	T.UENO '04/05/10	mm	55372-***78	37.4	33.4	mm	19.05	80
CHECKED BY & DATE	M.SASAO '04/05/10	INCH		15.05	55372-0678	INCH	55372-0878	60
APPROVED BY & DATE	M.SASAO '04/05/10							
CAD FILENAME	SD-55372-013.S02							
TITLE:	0.4 B+B Conn PLUG Hgt=1.5							
MATERIAL NO.	MOLEX INCORPORATED							
DRAWING NO.	SD-55372-013							
SHEET NO.	2 OF 3							
SIZE	B							



44mm幅キヤリタテープ  
44mm WIDTH CARRIER TAPE

8	264NO. DRWN: CH'K: APPR:	263NO. DRWN: CH'K: APPR:	262NO. DRWN: CH'K: APPR:	261NO. DRWN: CH'K: APPR:	RELEASED '04/05/10 260NO. J2004-4128 DRWN: T.UENO CH'K: M.SASAO APPR: M.SASAO
---	-----------------------------------	-----------------------------------	-----------------------------------	-----------------------------------	---

REV	DESCRIPTION
①	WIRE RANGE 適用電線範囲 INS. RANGE 被覆外径
	FINISH 仕上り

GENERAL TOLERANCES: (UNLESS SPECIFIED)	
10 UNDER	+0.2
10 OVER	+0.25
30 UNDER	+0.3
30 OVER	+0.3
ANGLE 角度	±3°

SCALE	SCALE
DRAWN BY & DATE	T.UENO '04/05/10
CHECKED BY & DATE	M.SASAO '04/05/10
APPROVED BY & DATE	M.SASAO '04/05/10
CAD FILENAME	SD-55372-013.S03

MODEL NO.	44	49.4	45.4	23.05	55372-1078	100
DESIGN UNITS	mm	C	B	(A)	MATERIAL NO.	種数
DESIGN ANGLE	PROJECTION	PROJECTION	DIMENSIONS:	MM	INCH	MM
TITLE:	0.4 BtB Conn PLUG Hgt=1.5 W/NAI Embstp PKg -LEAD FREE-					
MATERIAL NO.	SEE CHART	MOLEX INCORPORATED				SHT
DRAWING NO.	SD-55372-013	REV				REV
SHEET NO.	3 OF 3	SIZE				B