

**PLEASE CHECK WWW.MOLEX.COM FOR LATEST PART INFORMATION**

**Part Number:** [0417910851](#)  
**Status:** **Active**  
**Overview:** [kk](#)  
**Description:** 3.96mm (.156") Pitch KK® Solid Header, Vertical, Friction Lock, 4 Circuits, 0.76µm (30µ") Gold (Au) Selective Plating

**Documents:**

<a href="#">3D Model</a>	<a href="#">Product Specification PS-08-50 (PDF)</a>
<a href="#">Packaging Specification (PDF)</a>	<a href="#">RoHS Certificate of Compliance (PDF)</a>
<a href="#">Drawing (PDF)</a>	

**Agency Certification**

CSA	LR19980
UL	E29179

**General**

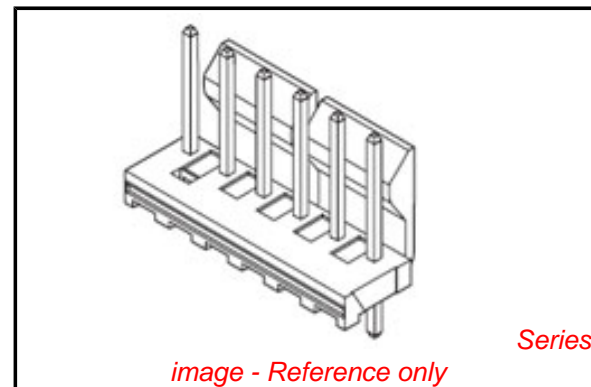
Product Family	PCB Headers
Series	<a href="#">41791</a>
Application	Wire-to-Board
Overview	<a href="#">kk</a>
Product Name	KK®

**Physical**

Breakaway	No
Circuits (Loaded)	4
Circuits (maximum)	4
Color - Resin	Natural
Durability (mating cycles max)	50
Flammability	94V-0
Glow-Wire Compliant	No
Lock to Mating Part	Yes
Material - Metal	Brass
Material - Plating Mating	Gold
Material - Resin	Polyester
Number of Rows	1
Orientation	Vertical
PC Tail Length (in)	0.140 In
PC Tail Length (mm)	3.56 mm
PCB Locator	No
PCB Retention	None
PCB Thickness Recommended (in)	0.062 In
PCB Thickness Recommended (mm)	1.60 mm
Packaging Type	Bag
Pitch - Mating Interface (in)	0.156 In
Pitch - Mating Interface (mm)	3.96 mm
Plating min: Mating (µin)	30
Plating min: Mating (µm)	0.76
Polarized to Mating Part	Yes
Polarized to PCB	No
Shrouded	Partial
Stackable	Yes
Temperature Range - Operating	0°C to +75°C
Termination Interface: Style	Through Hole

**Electrical**

Current - Maximum per Contact	7A
-------------------------------	----



**EU RoHS**

**ELV and RoHS Compliant**  
**REACH SVHC Contains SVHC: No**  
**Halogen-Free Status**  
**Not Reviewed**

**China RoHS**



**Need more information on product environmental compliance?**

Email [productcompliance@molex.com](mailto:productcompliance@molex.com)  
 For a multiple part number RoHS Certificate of Compliance, [click here](#)

Please visit the [Contact Us](#) section for any non-product compliance questions.

**Search Parts in this Series**

[41791Series](#)

**Mates With**

[3069](#) , [2139](#) , [2145](#) , [6442](#) , [7674](#) , [7675](#) , [41695](#) , L ink:41815

Voltage - Maximum 250V

### **Solder Process Data**

Duration at Max. Process Temperature (seconds)	5
Lead-free Process Capability	Wave Capable (TH only)
Max. Cycles at Max. Process Temperature	1
Process Temperature max. C	235

### **Material Info**

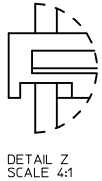
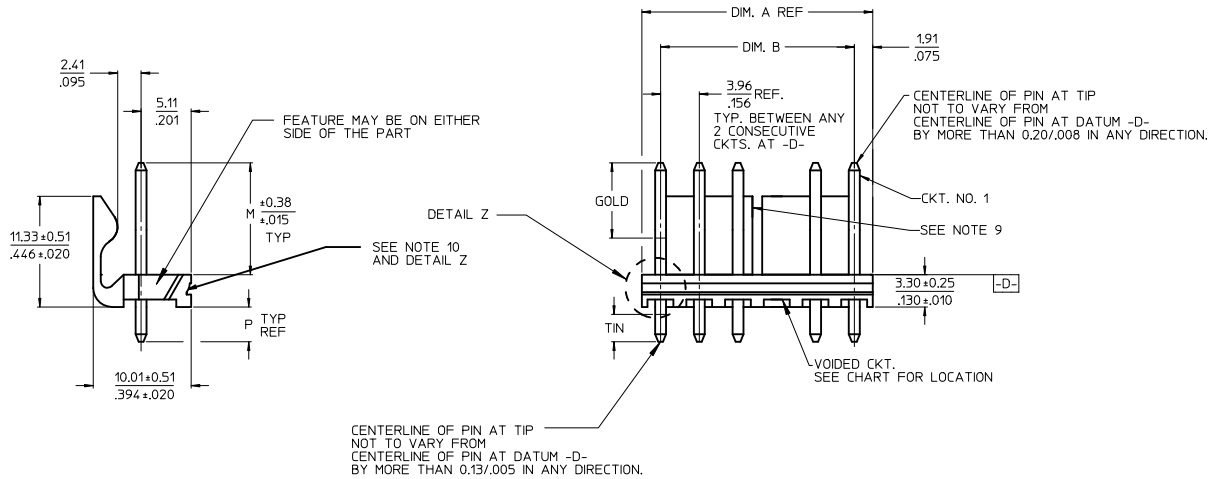
### **Reference - Drawing Numbers**

Packaging Specification	PK-41791-001
Product Specification	PS-08-50
Sales Drawing	SDA-41791

This document was generated on 05/24/2010

**PLEASE CHECK [WWW.MOLEX.COM](http://WWW.MOLEX.COM) FOR LATEST PART INFORMATION**

CKT	DIM. A	DIM. B	SLOT LOC BETWEEN CKTS
2	7.77 .306	3.96±0.05 .156±0.002	NONE
3	11.73 .462	7.92±0.08 .312±0.003	NONE
4	15.70 .618	11.89±0.08 .468±0.003	NONE
5	19.66 .774	15.85±0.10 .624±0.004	NONE
6	23.62 .930	19.81±0.10 .780±0.004	3 & 4
7	27.58 1.086	23.77±0.10 .936±0.004	4 & 5
8	31.55 1.242	27.74±0.13 1.092±0.005	4 & 5
9	35.51 1.398	31.70±0.13 1.248±0.005	5 & 6
10	39.47 1.554	35.66±0.13 1.404±0.005	5 & 6
11	43.43 1.710	39.62±0.15 1.560±0.006	6 & 7
12	47.40 1.866	43.59±0.15 1.716±0.006	4 & 5 8 & 9
13	51.36 2.022	47.55±0.15 1.872±0.006	4 & 5 9 & 10
14	55.32 2.178	51.51±0.18 2.028±0.007	5 & 6 9 & 10
15	59.28 2.334	55.47±0.18 2.184±0.007	5 & 6 10 & 11
16	63.25 2.490	59.44±0.18 2.340±0.007	5 & 6 11 & 12
17	67.21 2.646	63.40±0.20 2.496±0.008	6 & 7 11 & 12
18	71.17 2.802	67.36±0.20 2.652±0.008	6 & 7 12 & 13



NOTES:

- MATERIAL: HEADER-GLASS FILLED POLYESTER, 94V-0, MOLDED NATURAL (WHITE).
- FINISH: (102-TIN) OVERALL TIN: 0.00508/.000200 MIN OVER 0.00254/.000100 MIN COPPER, (154-TIN) OVERALL TIN: 0.00254/.000100 MIN OVER 0.00127/.000050 MIN NICKEL, (222-TIN) OVERALL MATTE TIN: 0.00254/.000100 MIN OVER 0.00127/.000050 MIN NICKEL, \*(208-15 GOLD) SELECT GOLD: 0.00038/.000015 MIN, SELECT TIN: 0.00254/.000100 MIN, OVERALL NICKEL UNDERPLATE: 0.00127/.000050 MIN, \*(228-30 GOLD) SELECT GOLD: 0.00076/.000030 MIN, SELECT TIN: 0.00254/.000100 MIN, OVERALL NICKEL UNDERPLATE: 0.00127/.000050 MIN, (501-GOLD) OVERALL GOLD: 0.00051/.000020 MIN OVER 0.00076/.000030 MIN NICKEL.
- \*THE PRIMARY SHIPPING CARTON WILL BE LABELED 'COMPLIANT TO RoHS DIRECTIVE 2002/95/EC AND ELV ANNEX II OF DIRECTIVE 2000/53/EC'. CARTONS WITHOUT THIS LABEL MAY CONTAIN PRODUCT WITH TIN-LEAD PLATING.
- PRODUCT SPECIFICATION AND PROCESS PARAMETERS: SEE PS-08-50.
- PACKAGING INFORMATION: SEE CHARTS.
- SOLDERABILITY: PER SMES-152.
- PIN PUSH-OUT FORCE: PRIOR TO SOLDERING, A 3 LB. MINIMUM FORCE (IN EITHER DIRECTION)
- PARTS ARE STACKABLE END TO END ON 3.96/.156 CENTERS.
- THIS PART CONFORMS TO CLASS B REQUIREMENTS OF COSMETIC SPECIFICATION PS-45499-002.
- SLOTS ON BACKWALL ARE BETWEEN CIRCUITS. SEE CHART FOR LOCATION.
- FEATURE MAY OR MAY NOT EXTEND ACROSS THE ENTIRE FACE OF THE PART \*SEE DETAIL Z\*.

2-*	P16
1	P16
SHT	REV

ADD 41791-1150
EC NO: UCP2010-1453
DRWN:MK/PPR 2010/01/28
CHKD:SSOUSEK 2010/02/02
APPR:FSM/TH 2010/02/02
REV
P16

QUALITY SYMBOLS
▽=0
▽=0

GENERAL TOLERANCES (UNLESS SPECIFIED)
4 PLACES ± --- ± ---
3 PLACES ± --- ± .010
2 PLACES ± 0.25 ± .015
1 PLACE ± 0.38 ± ---
ANGULAR ± 1/2°
DRAFT WHERE APPLICABLE MUST REMAIN WITHIN DIMENSIONS

DIMENSION STYLE	SCALE	DESIGN UNITS
MM/IN	2:1	INCH
DRAWN BY	DATE	TITLE
JSCHAFFER	11-07-03	KK 156 HEADER ASSEMBLY
CHECKED BY	DATE	FRICITION LOCK VERTICAL
KSAMIEC	11-10-03	SOLID BODY W/O PEGS
APPROVED BY	DATE	MATERIAL NO.
MARGULIS	11-17-03	DOCUMENT NO.
SEE CHART	SDA-41791	SHEET NO.
SIZE B	THIS DRAWING CONTAINS INFORMATION THAT IS PROPRIETARY TO MOLEX INCORPORATED AND SHOULD NOT BE USED WITHOUT WRITTEN PERMISSION	1 OF *

THIRD ANGLE PROJECTION
MOLEX MOLEX INCORPORATED
SDA-41791
1 OF *

OPTIONS	Group	A-41791-0002/0018	Group	A-41791-0019/0035	Group	A-41791-0036/0052	Group	A-41791-0059/0074
	Header No:	41790-0002/0018	Header No:	41790-0002/0018	Header No:	41790-0002/0018	Header No:	41790-0002/0018
	Pin No:	2161-94(102)	Pin No:	2161-94(501)	Pin No:	2161-94(102)	Pin No:	2161-94(102)
	Plating:	102 – TIN	Plating:	501 – GOLD	Plating:	102 – TIN	Plating:	102 – TIN
	Pin Length L	18.29 / .720	Pin Length L	18.29 / .720	Pin Length L	18.29 / .720	Pin Length L	18.29 / .720
	Mating M	11.43 / .450	Mating M	11.43 / .450	Mating M	11.43 / .450	Mating M	11.43 / .450
	Gold Loc G	N/A	Gold Loc G	OVERALL	Gold Loc G	N/A	Gold Loc G	N/A
	PC Tail P	3.56 / .140	PC Tail P	3.56 / .140	PC Tail P	3.56 / .140	PC Tail P	3.56 / .140
	Tin Loc T	OVERALL	Tin Loc T	N/A	Tin Loc T	OVERALL	Tin Loc T	OVERALL
	Voided Ckts	NONE	Voided Ckts	NONE	Voided Ckts	2	Voided Ckts	3
Pack Per	PK-41791-001	Pack Per	PK-41791-001	Pack Per	PK-41791-001	Pack Per	PK-41791-001	
Ckts	Material No	Engineer Number	Material No	Engineer Number	Material No	Engineer Number	Material No	Engineer Number
2	26-60-4020	A-41791-0002	26-61-4020	A-41791-0019	26-62-4020	A-41791-0036		
3	26-60-4030	A-41791-0003	26-61-4030	A-41791-0020	26-62-4030	A-41791-0037	26-62-4036	A-41791-0059
4	26-60-4040	A-41791-0004	26-61-4040	A-41791-0021	26-62-4040	A-41791-0038	26-62-4046	A-41791-0060
5	26-60-4050	A-41791-0005	26-61-4050	A-41791-0022	26-62-4050	A-41791-0039	26-62-4056	A-41791-0061
6	26-60-4060	A-41791-0006	26-61-4060	A-41791-0023	26-62-4060	A-41791-0040	26-62-4066	A-41791-0062
7	26-60-4070	A-41791-0007	26-61-4070	A-41791-0024	26-62-4070	A-41791-0041	26-62-4076	A-41791-0063
8	26-60-4080	A-41791-0008	26-61-4080	A-41791-0025	26-62-4080	A-41791-0042	26-62-4086	A-41791-0064
9	26-60-4090	A-41791-0009	26-61-4090	A-41791-0026	26-62-4090	A-41791-0043	26-62-4096	A-41791-0065
10	26-60-4100	A-41791-0010	26-61-4100	A-41791-0027	26-62-4100	A-41791-0044	26-62-4106	A-41791-0066
11	26-60-4110	A-41791-0011	26-61-4110	A-41791-0028	26-62-4110	A-41791-0045	26-62-4116	A-41791-0067
12	26-60-4120	A-41791-0012	26-61-4120	A-41791-0029	26-62-4120	A-41791-0046	26-62-4126	A-41791-0068
13	26-60-4130	A-41791-0013	26-61-4130	A-41791-0030	26-62-4130	A-41791-0047	26-62-4136	A-41791-0069
14	26-60-4140	A-41791-0014	26-61-4140	A-41791-0031	26-62-4140	A-41791-0048	26-62-4146	A-41791-0070
15	26-60-4150	A-41791-0015	26-61-4150	A-41791-0032	26-62-4150	A-41791-0049	26-62-4156	A-41791-0071
16	26-60-4160	A-41791-0016	26-61-4160	A-41791-0033	26-62-4160	A-41791-0050	26-62-4166	A-41791-0072
17	26-60-4170	A-41791-0017	26-61-4170	A-41791-0034	26-62-4170	A-41791-0051	26-62-4176	A-41791-0073
18	26-60-4180	A-41791-0018	26-61-4180	A-41791-0035	26-62-4180	A-41791-0052	26-62-4186	A-41791-0074

<b>P16</b>	REV:	ECR/ECN INFORMATION	TITLE:	<b>KK 156 HEADER ASSEMBLY FRICTION LOCK VERTICAL SOLID BODY W/O PEGS</b>	SHEET No.		
		EC NO.: <b>UCP2010-1453</b>			<b>- 2 -</b>		
		DATE: <b>2/2/2010</b>					
DOCUMENT NUMBER:		CREATED / REVISED BY:		CHECKED BY:		APPROVED BY:	
<b>SDA- 41791</b>		<b>MKIPPER</b>		<b>SSOUSEK</b>		<b>FSMITH</b>	

OPTIONS	Group	A-41791-0086/0100	Group	A-41791-0309/0308	Group	A-41791-0464/0480	Group	A-41791-0481/0491
	Header No:	41790-0002/0018	Header No:	41790-0002/0018	Header No:	41790-0002/0018	Header No:	41790-0002/0012
	Pin No:	2161-94(102)	Pin No:	2161-94(501)	Pin No:	2161-1(102)	Pin No:	2161-26(154)
	Plating:	102 – TIN	Plating:	501 – GOLD	Plating:	102 – TIN	Plating:	154 – TIN
	Pin Length L	18.29 / .720	Pin Length L	18.29 / .720	Pin Length L	19.05 / .750	Pin Length L	22.23 / .875
	Mating M	11.43 / .450	Mating M	11.43 / .450	Mating M	11.43 / .450	Mating M	11.43 / .450
	Gold Loc G	N/A	Gold Loc G	OVERALL	Gold Loc G	N/A	Gold Loc G	N/A
	PC Tail P	3.56 / .140	PC Tail P	3.56 / .140	PC Tail P	4.32 / .170	PC Tail P	7.49 / .295
	Tin Loc T	OVERALL	Tin Loc T	N/A	Tin Loc T	OVERALL	Tin Loc T	OVERALL
	Voided Ckts	2, 4	Voided Ckts	2	Voided Ckts	NONE	Voided Ckts	NONE
Pack Per	PK-41791-001	Pack Per	PK-41791-001	Pack Per	PK-41791-001	Pack Per	PK-41791-002	
Ckts	Material No	Engineer Number	Material No	Engineer Number	Material No	Engineer Number	Material No	Engineer Number
2					26-60-4023	A-41791-0464	41791-0481	A-41791-0481
3			26-63-4031	A-41791-0310	26-60-4033	A-41791-0465	41791-0482	A-41791-0482
4	26-62-4041	A-41791-0086		A-41791-0311	26-60-4043	A-41791-0466	41791-0483	A-41791-0483
5	26-62-4051	A-41791-0087	26-63-4051	A-41791-0312	26-60-4053	A-41791-0467	41791-0484	A-41791-0484
6	26-62-4061	A-41791-0088	26-63-4061	A-41791-0313	26-60-4063	A-41791-0468	41791-0485	A-41791-0485
7		A-41791-0089	26-63-4071	A-41791-0314	26-60-4073	A-41791-0469	41791-0486	A-41791-0486
8		A-41791-0090		A-41791-0315	26-60-4083	A-41791-0470	41791-0487	A-41791-0487
9		A-41791-0091		A-41791-0316	26-60-4093	A-41791-0471	41791-0488	A-41791-0488
10	26-62-4101	A-41791-0092		A-41791-0317	26-60-4103	A-41791-0472	41791-0489	A-41791-0489
11		A-41791-0093		A-41791-0318	26-60-4113	A-41791-0473	41791-0490	A-41791-0490
12		A-41791-0094		A-41791-0319	26-60-4123	A-41791-0474	41791-0491	A-41791-0491
13		A-41791-0095		A-41791-0320	26-60-4133	A-41791-0475		
14		A-41791-0096		A-41791-0321	26-60-4143	A-41791-0476		
15		A-41791-0097		A-41791-0322	26-60-4153	A-41791-0477		
16		A-41791-0098		A-41791-0323	26-60-4163	A-41791-0478		
17		A-41791-0099		A-41791-0324	26-60-4173	A-41791-0479		
18		A-41791-0100		A-41791-0325	26-60-4183	A-41791-0480		

<b>P16</b>	REV:	ECR/ECN INFORMATION	TITLE:	<b>KK 156 HEADER ASSEMBLY FRICTION LOCK VERTICAL SOLID BODY W/O PEGS</b>	SHEET No.		
		EC NO.: <b>UCP2010-1453</b>			<b>- 3 -</b>		
		DATE: <b>2/2/2010</b>					
DOCUMENT NUMBER:		CREATED / REVISED BY:		CHECKED BY:		APPROVED BY:	
<b>SDA- 41791</b>		<b>MKIPPER</b>		<b>SSOUSEK</b>		<b>FSMITH</b>	

OPTIONS	Group	A-41791-0583/0597	Group	A-41791-0598/0609	Group	A-41791-0638/0653	Group	A-41791-0773/0785
	Header No:	41790-0002/0018	Header No:	41790-0002/0018	Header No:	41790-0002/0018	Header No:	41790-0006/0018
	Pin No:	2161-94(102)	Pin No:	2161-94(102)	Pin No:	2161-94(501)	Pin No:	2161-94(102)
	Plating:	102 – TIN	Plating:	102 – TIN	Plating:	501 – GOLD	Plating:	102-TIN
	Pin Length L	18.29 / .720	Pin Length L	18.29 / .720	Pin Length L	18.29 / .720	Pin Length L	18.29/.720
	Mating M	11.43 / .450	Mating M	11.43 / .450	Mating M	11.43 / .450	Mating M	11.43/.450
	Gold Loc G	N/A	Gold Loc G	N/A	Gold Loc G	OVERALL	Gold Loc G	N/A
	PC Tail P	3.56 / .140	PC Tail P	3.56 / .140	PC Tail P	3.56 / .140	PC Tail P	3.56/.140
	Tin Loc T	OVERALL	Tin Loc T	OVERALL	Tin Loc T	N/A	Tin Loc T	OVERALL
	Voided Ckts	4	Voided Ckts	7	Voided Ckts	3	Voided Ckts	3, 6
Pack Per	PK-41791-001	Pack Per	PK-41791-001	Pack Per	PK-41791-001	Pack Per	PK-41791-001	
Ckts	Material No	Engineer Number	Material No	Engineer Number	Material No	Engineer Number	Item Number	
2								
3								
4	27-62-4049	A-41791-0583			26-63-4032	A-41791-0638		
5	27-62-4059	A-41791-0584			41791-0639	A-41791-0639		
6	27-62-4069	A-41791-0585			26-63-4052	A-41791-0640		
7	27-62-4079	A-41791-0586	41791-0598	A-41791-0598	26-63-4062	A-41791-0641		
8	27-62-4089	A-41791-0587	41791-0599	A-41791-0599	41791-0642	A-41791-0642	41791-0774	
9	27-62-4099	A-41791-0588	41791-0600	A-41791-0600	26-63-4082	A-41791-0643		
10	27-62-4109	A-41791-0589	41791-0601	A-41791-0601	41791-0644	A-41791-0644		
11	27-62-4119	A-41791-0590	41791-0602	A-41791-0602	41791-0645	A-41791-0645		
12	27-62-4129	A-41791-0591	41791-0603	A-41791-0603	41791-0646	A-41791-0646		
13	27-62-4139	A-41791-0592	41791-0604	A-41791-0604	41791-0647	A-41791-0647		
14	27-62-4149	A-41791-0593	41791-0605	A-41791-0605	41791-0648	A-41791-0648		
15	27-62-4159	A-41791-0594	41791-0606	A-41791-0606	41791-0649	A-41791-0649		
16	27-62-4169	A-41791-0595	41791-0607	A-41791-0607	41791-0650	A-41791-0650		
17	27-62-4179	A-41791-0596	41791-0608	A-41791-0608	41791-0651	A-41791-0651		
18	27-62-4189	A-41791-0597	41791-0609	A-41791-0609	41791-0652	A-41791-0652		
					41791-0653	A-41791-0653		

REV:	ECR/ECN INFORMATION	TITLE:	SHEET No.
<b>P16</b>	EC NO.: UCP2010-1453	<b>KK 156 HEADER ASSEMBLY FRICTION LOCK VERTICAL SOLID BODY W/O PEGS</b>	<b>- 4 -</b>
	DATE: 2/2/2010		
	DOCUMENT NUMBER: SDA- 41791		

OPTIONS	Group	A-41791-0815/0831	Group	A-41791-0832/0848	Group	A-41791-0849/0865	Group	A-41791-0883/0891
	Header No:	41790-0002/0018	Header No:	41790-0002/0018	Header No:	41790-0002/0018	Header No:	41790-0010/0018
	Pin No:	2161-36(102)	Pin No:	43294-0209	Pin No:	43294-0210	Pin No:	2161-94(102)
	Plating:	102 – TIN	Plating:	208 – 15 GOLD	Plating:	228 – 30 GOLD	Plating:	102 – TIN
	Pin Length L	30.48 / 1.200	Pin Length L	18.29/. 720	Pin Length L	18.29/. 720	Pin Length L	18.29 / .720
	Mating M	11.43 / .450	Mating M	11.43/. 450	Mating M	11.43/. 450	Mating M	11.43 / .450
	Gold Loc G	N/A	Gold Loc G	6.86/. 270	Gold Loc G	6.86/. 270	Gold Loc G	N/A
	PC Tail P	15.75/ .620	PC Tail P	3.56/. 140	PC Tail P	3.56/. 140	PC Tail P	3.56 / .140
	Tin Loc T	OVERALL	Tin Loc T	4.06/. 160	Tin Loc T	4.06/. 160	Tin Loc T	OVERALL
	Voided Ckts	NONE	Voided Ckts	NONE	Voided CKts	NONE	Voided Ckts	10
Pack Per	PK-41791-003	Pack Per	PK-41791-001	Pack Per	PK-41791-001	Pack Per	PK-41791-001	
Ckts	Item Number	Material No	Engineer Number	Material No	Engineer Number	Item Number		
2	41791-0815	41791-0832	A-41791-0832	41791-0849	A-41791-0849			
3	41791-0816	41791-0833	A-41791-0833	41791-0850	A-41791-0850			
4	41791-0817	41791-0834	A-41791-0834	41791-0851	A-41791-0851			
5	41791-0818	41791-0835	A-41791-0835	41791-0852	A-41791-0852			
6	41791-0819	41791-0836	A-41791-0836	41791-0853	A-41791-0853			
7	41791-0820	41791-0837	A-41791-0837	41791-0854	A-41791-0854			
8	41791-0821	41791-0838	A-41791-0838	41791-0855	A-41791-0855			
9	41791-0822	41791-0839	A-41791-0839	41791-0856	A-41791-0856			
10	41791-0823	41791-0840	A-41791-0840	41791-0857	A-41791-0857	41791-0883		
11	41791-0824	41791-0841	A-41791-0841	41791-0858	A-41791-0858	41791-0884		
12	41791-0825	41791-0842	A-41791-0842	41791-0859	A-41791-0859	41791-0885		
13	41791-0826	41791-0843	A-41791-0843	41791-0860	A-41791-0860	41791-0886		
14	41791-0827	41791-0844	A-41791-0844	41791-0861	A-41791-0861	41791-0887		
15	41791-0828	41791-0845	A-41791-0845	41791-0862	A-41791-0862	41791-0888		
16	41791-0829	41791-0846	A-41791-0846	41791-0863	A-41791-0863	41791-0889		
17	41791-0830	41791-0847	A-41791-0847	41791-0864	A-41791-0864	41791-0890		
18	41791-0831	41791-0848	A-41791-0848	41791-0865	A-41791-0865	41791-0891		

REV:	ECR/ECN INFORMATION	TITLE:	SHEET No.
<b>P16</b>	EC NO.: UCP2010-1453	<b>KK 156 HEADER ASSEMBLY FRICTION LOCK VERTICAL SOLID BODY W/O PEGS</b>	<b>- 5 -</b>
	DATE: 2/2/2010		
DOCUMENT NUMBER:	CREATED / REVISED BY:	CHECKED BY:	APPROVED BY:
<b>SDA- 41791</b>	<b>MKIPPER</b>	<b>SSOUSEK</b>	<b>FSMITH</b>

OPTIONS	Group	A-41791-0892/0908	Group	A-41791-0922/0933	Group	41791-0934/0948	Group	41791-0966/0976
	Header No:	41790-0002/0018	Header No:	41790-0007/0018	Header No:	41790-0004/0018	Header No:	41790-0007/0018
	Pin No:	43294-0299	Pin No:	2161-94(102)	Pin No:	43294-0209	Pin No:	2161-94(102)
	Plating:	208 – 15 GOLD	Plating:	102 – TIN	Plating:	208 – 15 GOLD	Plating:	102 – TIN
	Pin Length L	20.83 / .820	Pin Length L	18.29 / .720	Pin Length L	18.29/. 720	Pin Length L	18.29/. 720
	Mating M	11.43 / .450	Mating M	11.43 / .450	Mating M	11.43 / .450	Mating M	11.43/. 450
	Gold Loc G	6.83/. 270	Gold Loc G	N/A	Gold Loc G	6.86/ .270	Gold Loc G	N/A
	PC Tail P	6.10/ .240	PC Tail P	3.56 / .140	PC Tail P	3.56/. 140	PC Tail P	3.56/. 140
	Tin Loc T	6.35/ .250	Tin Loc T	OVERALL	Tin Loc T	4.06/. 160	Tin Loc T	OVERALL
	Voided Ckts	NONE	Voided Ckts	5, 7	Voided Ckts	4	Voided Ckts	3, 7, 8
Pack Per	PK-41791-002	Pack Per	PK-41791-001	Pack Per	PK-41791-001	Pack Per	PK-41791-001	
Ckts	Item Number		Item Number		Item Number		Item Number	
2	41791-0892							
3	41791-0893							
4	41791-0894				41791-0934			
5	41791-0895				41791-0935			
6	41791-0896				41791-0936			
7	41791-0897		41791-0922		41791-0937			
8	41791-0898		41791-0923		41791-0938		41791-0966	
9	41791-0899		41791-0924		41791-0939		41791-0967	
10	41791-0900		41791-0925		41791-0940		41791-0968	
11	41791-0901		41791-0926		41791-0941		41791-0969	
12	41791-0902		41791-0927		41791-0942		41791-0970	
13	41791-0903		41791-0928		41791-0943		41791-0971	
14	41791-0904		41791-0929		41791-0944		41791-0972	
15	41791-0905		41791-0930		41791-0945		41791-0973	
16	41791-0906		41791-0931		41791-0946		41791-0974	
17	41791-0907		41791-0932		41791-0947		41791-0975	
18	41791-0908		41791-0933		41791-0948		41791-0976	

REV:	ECR/ECN INFORMATION	TITLE:	SHEET No.
<b>P16</b>	EC NO.: UCP2010-1453	<b>KK 156 HEADER ASSEMBLY FRICTION LOCK VERTICAL SOLID BODY W/O PEGS</b>	<b>- 6 -</b>
	DATE: 2/2/2010		
	DOCUMENT NUMBER: SDA- 41791		



OPTIONS	Group	41791-0977/0993	Group	41791-0994/1002	Group	A-41791-1036 / 1048	Group	A-41791-1049/1062
	Header No:	41790-0002/0018	Header No:	41790-0010/0018	Header No:	41790-0006 / 0018	Header No:	41790-0005/0018
	Pin No:	43294-0345	Pin No:	43294-0209	Pin No:	2161-94(102)	Pin No:	2161-94(102)
	Plating:	228 – 30 GOLD	Plating:	208 – 15 GOLD	Plating:	102 – TIN	Plating:	102 – TIN
	Pin Length L	22.10/. 870	Pin Length L	18.29/. 720	Pin Length L	18.29 / .720	Pin Length L	18.29 / .720
	Mating M	11.43/. 450	Mating M	11.43 / .450	Mating M	11.43 / .450	Mating M	11.43 / .450
	Gold Loc G	10.02/. 400	Gold Loc G	6.86/. 270	Gold Loc G	N/A	Gold Loc G	N/A
	PC Tail P	7.37/. 290	PC Tail P	3.56/. 140	PC Tail P	3.56 / .140	PC Tail P	3.56 / .140
	Tin Loc T	5.08/. 200	Tin Loc T	4.06/. 160	Tin Loc T	OVERALL	Tin Loc T	OVERALL
	Voided Ckts	None	Voided Ckts	3, 4, 5, 8, 9, 10	Voided Ckts	4, 6	Voided Ckts	2, 5
Pack Per	PK-41791-002	Pack Per	PK-41791-001	Pack Per	PK-41791-001	Pack Per	PK-41791-001	
Ckts	Item Number		Item Number		Material No	Engineer Number	Item Number	
2	41791-0977							
3	41791-0978							
4	41791-0979							
5	41791-0980							
6	41791-0981					A-41791-1036		
7	41791-0982				41791-1037	A-41791-1037	41791-1051	
8	41791-0983					A-41791-1038		
9	41791-0984					A-41791-1039		
10	41791-0985		41791-0994			A-41791-1040		
11	41791-0986		41791-0995			A-41791-1041		
12	41791-0987		41791-0996			A-41791-1042		
13	41791-0988		41791-0997			A-41791-1043		
14	41791-0989		41791-0998			A-41791-1044		
15	41791-0990		41791-0999			A-41791-1045		
16	41791-0991		41791-1000			A-41791-1046		
17	41791-0992		41791-1001			A-41791-1047		
18	41791-0993		41791-1002			A-41791-1048		

REV:	ECR/ECN INFORMATION	TITLE:	<b>KK 156 HEADER ASSEMBLY          FRICTION LOCK VERTICAL          SOLID BODY W/O PEGS</b>	SHEET No.
<b>P16</b>	EC NO.: UCP2010-1453			<b>- 7 -</b>
	DATE: 2/2/2010			
DOCUMENT NUMBER:	CREATED / REVISED BY:	CHECKED BY:	APPROVED BY:	
<b>SDA- 41791</b>	<b>MKIPPER</b>	<b>SSOUSEK</b>	<b>FSMITH</b>	

OPTIONS	Group	A-41791-1063/1071	Group	A-41791-1074/1088	Group	A-41791-1089/1105	Group	A-41791-1107
	Header No:	41790-0010/0018	Header No:	41790-0004/0018	Header No:	41790-0002/0018	Header No:	41790-0006/0018
	Pin No:	2161-94(102)	Pin No:	2161-94(501)	Pin No:	43294-0212	Pin No:	2161-94(154)
	Plating:	102 – TIN	Plating:	501 – GOLD	Plating:	222 – TIN	Plating:	154 – TIN
	Pin Length L	18.29 / .720	Pin Length L	18.29 / .720	Pin Length L	18.29 / .720	Pin Length L	18.29 / .720
	Mating M	11.43 / .450	Mating M	11.43 / .450	Mating M	11.43 / .450	Mating M	11.43 / .450
	Gold Loc G	N/A	Gold Loc G	OVERALL	Gold Loc G	N/A	Gold Loc G	N/A
	PC Tail P	3.56 / .140	PC Tail P	3.56 / .140	PC Tail P	3.56 / .140	PC Tail P	3.56 / .140
	Tin Loc T	OVERALL	Tin Loc T	N/A	Tin Loc T	OVERALL	Tin Loc T	OVERALL
	Voided Ckts	5, 10	Voided Ckts	2, 3, 4	Voided Ckts	NONE	Voided Ckts	6
Pack Per	PK-41791-001	Pack Per	PK-41791-001	Pack Per	PK-41791-001	Pack Per	PK-41791-001	
Ckts	Item Number		Item Number		Item Number		Item Number	
2					41791-1089			
3					41791-1090			
4					41791-1091			
5			41791-1075					
6					41791-1093			
7							41791-1107	
8					41791-1095			
9					41791-1096			
10					41791-1097			
11	41791-1064				41791-1098			
12					41791-1099			
13								
14								
15								
16					41791-1103			
17								
18					41791-1105			

<b>P16</b>	REV:	ECR/ECN INFORMATION	TITLE:	<b>KK 156 HEADER ASSEMBLY FRICTION LOCK VERTICAL SOLID BODY W/O PEGS</b>	SHEET No.
		EC NO.: UCP2010-1453			<b>- 8 -</b>
		DATE: 2/2/2010			
DOCUMENT NUMBER:		CREATED / REVISED BY:		CHECKED BY:	
<b>SDA- 41791</b>		<b>MKIPPER</b>		<b>SSOUSEK</b>	
				APPROVED BY:	
				<b>FSMITH</b>	

OPTIONS	Group	A-41791-1120	Group	A-41791-1134	Group	A-41791-1150	Group	
	Header No:	41790-0006	Header No:	41790-0004	Header No:	41790-0005	Header No:	
	Pin No:	2161-94(154)	Pin No:	2161-94(154)	Pin No:	43294-0210	Pin No:	
	Plating:	154 – TIN	Plating:	154 – TIN	Plating:	228 – 30 GOLD	Plating:	
	Pin Length L	18.29 / .720	Pin Length L	18.29 / .720	Pin Length L	18.29/. 720	Pin Length L	
	Mating M	11.43 / .450	Mating M	11.43 / .450	Mating M	11.43/. 450	Mating M	
	Gold Loc G	N/A	Gold Loc G	N/A	Gold Loc G	6.85/. 270	Gold Loc G	
	PC Tail P	3.56 / .140	PC Tail P	3.56 / .140	PC Tail P	3.56/. 140	PC Tail P	
	Tin Loc T	OVERALL	Tin Loc T	OVERALL	Tin Loc T	4.06/. 160	Tin Loc T	
	Voided Ckts	2, 5	Voided Ckts	2, 3	Voided Ckts	2, 4	Voided Ckts	
Pack Per	PK-41791-001	Pack Per	PK-41791-001	Pack Per	PK-41791-001	Pack Per		
Ckts	Item Number		Item Number		Item Number		Item Number	
2								
3								
4			41791-1134					
5					41791-1150			
6	41791-1120							
7								
8								
9								
10								
11								
12								
13								
14								
15								
16								
17								
18								

<b>P16</b>	REV:	ECR/ECN INFORMATION	TITLE:	<b>KK 156 HEADER ASSEMBLY FRICTION LOCK VERTICAL SOLID BODY W/O PEGS</b>	SHEET No.
		EC NO.: UCP2010-1453			<b>- 9 -</b>
		DATE: 2/2/2010			
DOCUMENT NUMBER:		CREATED / REVISED BY:		CHECKED BY:	
<b>SDA- 41791</b>		<b>MKIPPER</b>		<b>SSOUSEK</b>	
				APPROVED BY:	
				<b>FSMITH</b>	