

PLEASE CHECK WWW.MOLEX.COM FOR LATEST PART INFORMATION

Part Number: [0359790840](#)
Status: **Planned for Obsolescence**
Description: 7.92mm (.312") Pitch Wire-to-Board Header, Vertical, 8 Circuits, White, Short PC Tails, Polyester Alloy, Glow Wire Compatible

Documents:

[Drawing \(PDF\)](#) [RoHS Certificate of Compliance \(PDF\)](#)
[Product Specification PS-35979-001 \(PDF\)](#)

Agency Certification

CSA LR19980
TUV R72090224

General

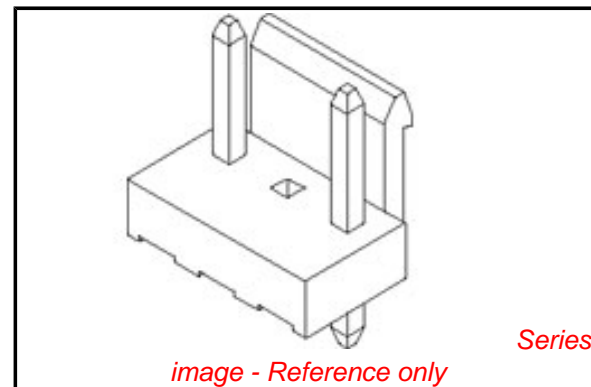
Product Family PCB Headers
Series [35979](#)
Application Wire-to-Board
Product Name N/A

Physical

Breakaway No
Circuits (Loaded) 8
Circuits (maximum) 8
Color - Resin White
Durability (mating cycles max) 30
First Mate / Last Break No
Flammability 94V-0
Glow-Wire Compliant Yes
Guide to Mating Part No
Keying to Mating Part None
Lock to Mating Part Yes
Material - Plating Mating Tin
Material - Plating Termination Tin
Material - Resin Polyester Alloy
Number of Rows 1
Orientation Vertical
PC Tail Length (in) 0.146 In
PC Tail Length (mm) 3.70 mm
PCB Locator No
PCB Retention None
PCB Thickness Recommended (in) 0.062 In
PCB Thickness Recommended (mm) 1.60 mm
Packaging Type Bag
Pitch - Mating Interface (in) 0.312 In
Pitch - Mating Interface (mm) 7.92 mm
Polarized to Mating Part No
Polarized to PCB No
Shrouded No
Stackable Yes
Surface Mount Compatible (SMC) No
Temperature Range - Operating -25°C to +85°C
Termination Interface: Style Through Hole

Electrical

Current - Maximum per Contact 7A
Voltage - Maximum 250V



EU RoHS

ELV and RoHS Compliant
REACH SVHC
Not Reviewed
Halogen-Free Status
Not Reviewed

China RoHS



Need more information on product environmental compliance?

Email productcompliance@molex.com
For a multiple part number RoHS Certificate of Compliance, [click here](#)

Please visit the [Contact Us](#) section for any non-product compliance questions.

Search Parts in this Series

[35979Series](#)

Mates With

[35977 Wire-to-Board Housing](#)

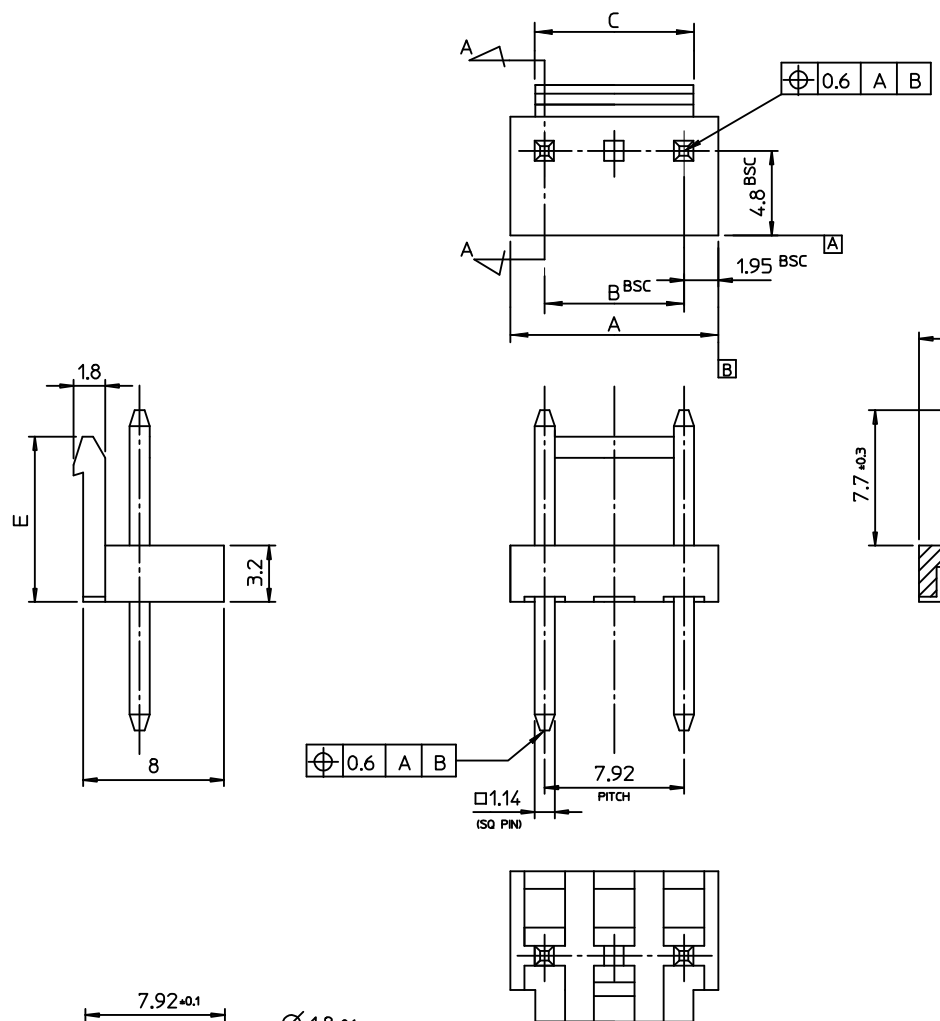
Material Info

Reference - Drawing Numbers

| | |
|-------------------------|--------------|
| Packaging Specification | PK-35979-001 |
| Product Specification | PS-35979-001 |
| Sales Drawing | SD-35979-001 |

This document was generated on 06/07/2010

PLEASE CHECK WWW.MOLEX.COM FOR LATEST PART INFORMATION

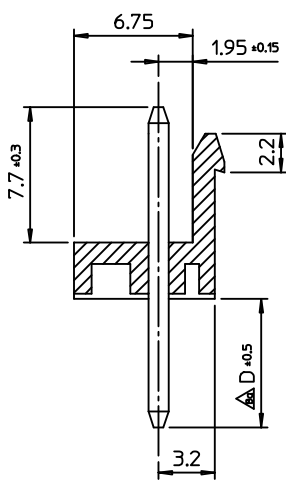


NOTES

- 1. MATERIAL : HEADER -PA66, ①PC/PET
PIN : BRASS(CDA 2700)
- 2. FINISHES : PIN
THICKNESS - TIN PLATED 3.0 MICROMETER MIN.
OVER Cu 1.5 MICROMETER MIN.
- 3. PRODUCT SPECIFICATION : PS-35979-001

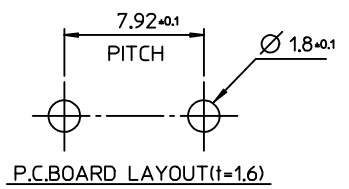
LEGEND

- 35979-****
- COLOR : 0 - WHITE
1 - BLACK
2 - RED
3 - YELLOW
4 - BLUE
- PIN LENGTH : 1 - SHORT PIN (PA66) ①4 - SHORT PIN (PC/PET)
3 - LONG PIN (PA66) ①6 - LONG PIN (PC/PET)
- CIRCUIT NO. (02,03,04...)



SECTION A-A

| | | | | | | | | |
|-----|------|-------|-------|-------|-----------|------------|-----|----|
| 9.4 | 3.7 | 56.50 | 55.44 | 59.40 | 3597908** | 35979-08** | 8 | 15 |
| | | 48.58 | 47.52 | 51.48 | 3597907** | 35979-07** | 7 | 13 |
| 3.7 | 3.7 | 40.66 | 39.60 | 43.56 | 3597906** | 35979-06** | 6 | 11 |
| | | 32.74 | 31.68 | 35.64 | 3597905** | 35979-05** | 5 | 9 |
| | | 24.82 | 23.76 | 27.72 | 3597904** | 35979-04** | 4 | 7 |
| | | 16.90 | 15.84 | 19.80 | 3597903** | 35979-03** | 3 | 5 |
| 9.7 | 11.4 | 8.98 | 7.92 | 11.88 | 3597902** | 35979-02** | 2 | 3 |
| | | 8.98 | 7.92 | 11.88 | 3597902** | 35979-02** | 2 | 3 |
| E | D | C | B | A | MAT'L NO | ENG NO. | CKT | N |



| | | | |
|---------|------------------------------|-------------|-----------------|
| REVISED | EC NO: KOR2009-0137 | DESCRIPTION | QUALITY SYMBOLS |
| | DRWN: JHPARK01 2009/05/21 | | ▽=0 |
| | CHKD: WY. YANG 2009/05/21 | | ∇=0 |
| | APPR: YUNS.IKK.IM 2009/05/22 | | |
| | | | |

| | |
|------------------------------------------------------|------|
| GENERAL TOLERANCES (UNLESS SPECIFIED) | |
| mm | INCH |
| 4 PLACES ±--- | ±--- |
| 3 PLACES ±--- | ±--- |
| 2 PLACES ±--- | ±--- |
| 1 PLACE ±0.30 | ±--- |
| ANGULAR ± 2 ° | |
| DRAFT WHERE APPLICABLE MUST REMAIN WITHIN DIMENSIONS | |

| | | | |
|-----------------|-------------------------------------------------------------------------------------------------------------------------------|-------------------------------------------|------------------------|
| DIMENSION STYLE | SCALE | DESIGN UNITS | THIRD ANGLE PROJECTION |
| MM ONLY | 3:1 | METRIC | |
| DRAWN BY | DATE | TITLE | |
| YURI.WI | 1999/05/07 | 7.92 PITCH W-T-B CONN. HEADER ASS'Y | |
| CHECKED BY | DATE | MOLEX INCORPORATED | |
| J.K.OH | 1999/05/07 | | |
| APPROVED BY | DATE | DOCUMENT NO. | SHEET NO. |
| C.W.LEE | 1999/05/07 | SD-35979-001 | 1 OF 01 |
| MATERIAL NO. | THIS DRAWING CONTAINS INFORMATION THAT IS PROPRIETARY TO MOLEX INCORPORATED AND SHOULD NOT BE USED WITHOUT WRITTEN PERMISSION | | |
| SEE TABLE | | | |