



# TAI-SAW TECHNOLOGY CO., LTD.

No. 3, Industrial 2nd Rd., Ping-Chen Industrial District,  
Taoyuan, 324, Taiwan, R.O.C.

TEL: 886-3-4690038 FAX: 886-3-4697532

E-mail: [tstsales@mail.taisaw.com](mailto:tstsales@mail.taisaw.com) Web: [www.taisaw.com](http://www.taisaw.com)

## Approval Sheet For Product Specification

Issued Date:

Product Name: SAW Filter 394MHz SMD 5.0x5.0mm

TST Parts No.:TA0559A

Customer Parts No.:\_\_\_\_\_

Company: _____
Division: _____
Approved by : _____
Date: _____

Checked by: \_\_\_\_\_ Elvis Chiu

Approval by: \_\_\_\_\_ Francis Chen

Date: \_\_\_\_\_ 2006/03/17



# TAI-SAW TECHNOLOGY CO., LTD.

No. 3, Industrial 2nd Rd., Ping-Chen Industrial District,  
Taoyuan, 324, Taiwan, R.O.C.

TEL: 886-3-4690038 FAX: 886-3-4697532

E-mail: [tstsales@mail.taisaw.com](mailto:tstsales@mail.taisaw.com) Web: [www.taisaw.com](http://www.taisaw.com)

## SAW Filter 394 MHz

MODEL NO.: TA0559A

REV. NO.:1

### A. MAXIMUM RATING:

1. Input Power Level: 10 dB<sub>m</sub>
2. DC voltage: 3 V
3. Operating Temperature: -10°C to +50°C
4. Storage Temperature: -40°C to +85°C

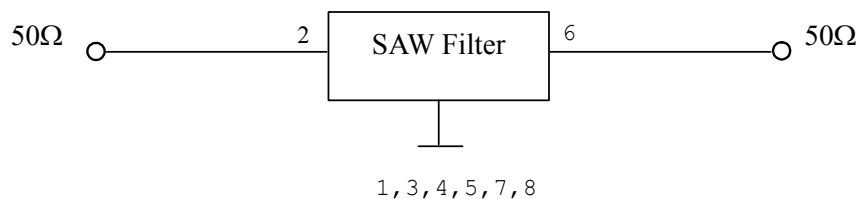
RoHS Compliant  
Lead free  
Lead-free soldering

### B. ELECTRICAL CHARACTERISTICS:

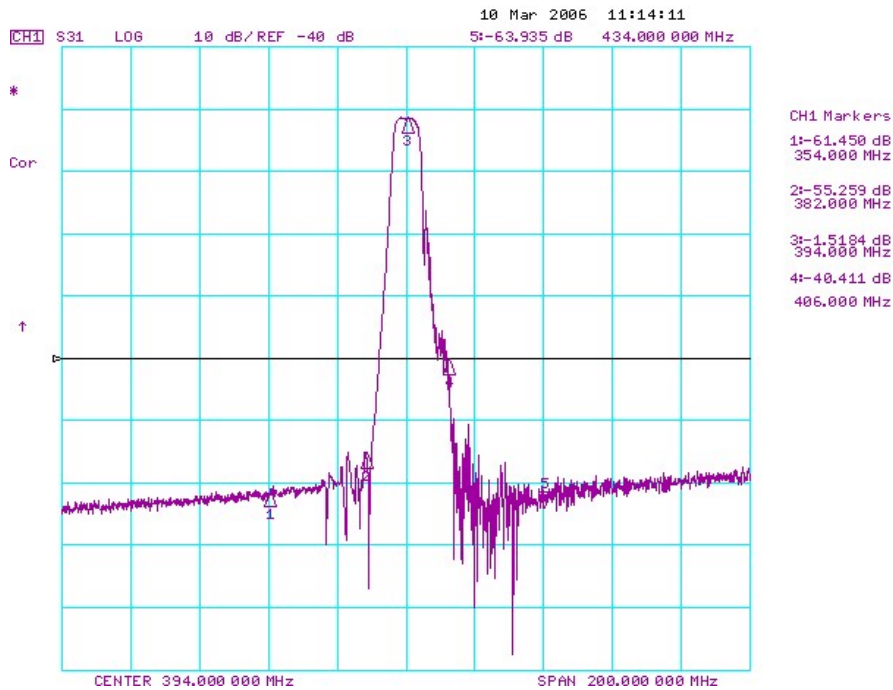
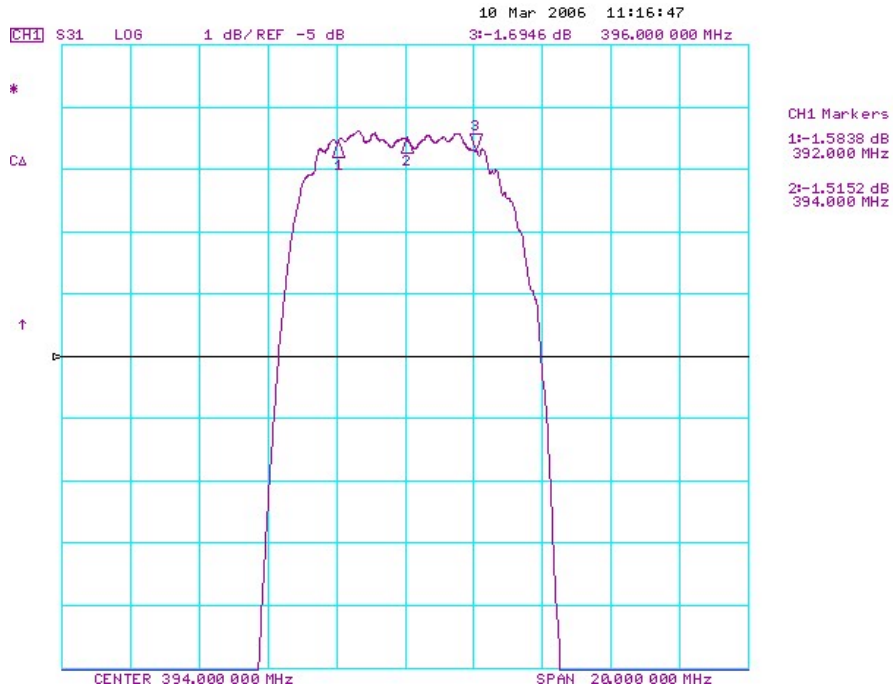
Item	Unit	Min.	Type.	Max.	
Center frequency F <sub>c</sub>	MHz	-	394	-	
Insertion Loss 392~396MHz IL	dB	-	1.7	4.0	
Ripple 392~396MHz	MHz	-	0.4	2.0	
Absolute Attenuation:(Reference level from 0dB)					
F <sub>c</sub> -100 to F <sub>c</sub> -40	MHz	dB	42	61	-
F <sub>c</sub> -40 to F <sub>c</sub> -12	MHz	dB	30	54	-
F <sub>c</sub> +12 to F <sub>c</sub> +40	MHz	dB	15	40	-
F <sub>c</sub> +40 to F <sub>c</sub> +100	MHz	dB	42	57	-
Source impedance Z <sub>s</sub>	Ω	-	50	-	
Load impedance Z <sub>L</sub>	Ω	-	50	-	

### C. MEASUREMENT CIRCUIT:

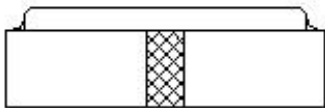
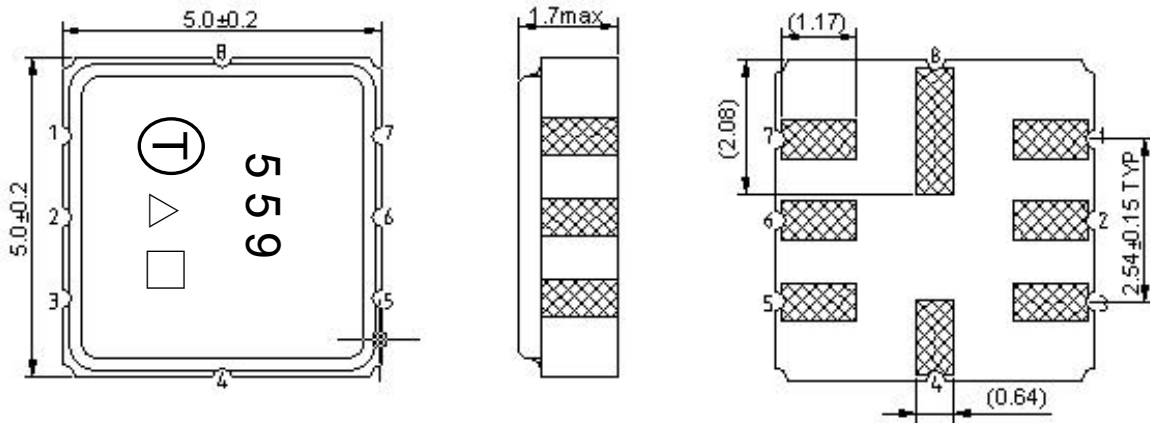
HP Network analyzer



## D. FREQUENCY CHARACTERISTICS:



**E.OUTLINE DRAWING:**



Year	2005	2006	2007	2008
	2009	2010	2011	2012
Year Code	A	a	<u>A</u>	<u>a</u>

#2: Input

#6: Output

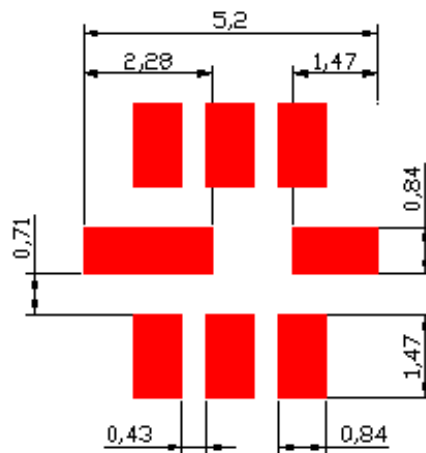
#1,3,4,5,7,8: Ground

△ : Year Code

□ : Date Code (Follow the table provided by planner each year.)

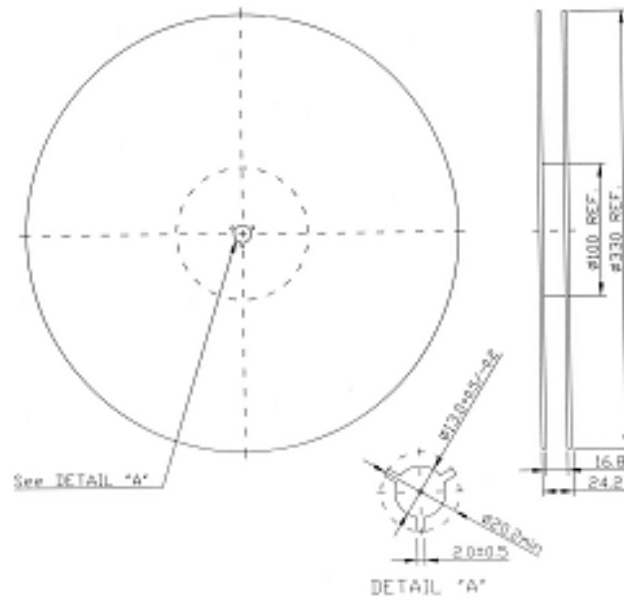
Unit: mm

**F. PCB FOOTPRINT:**

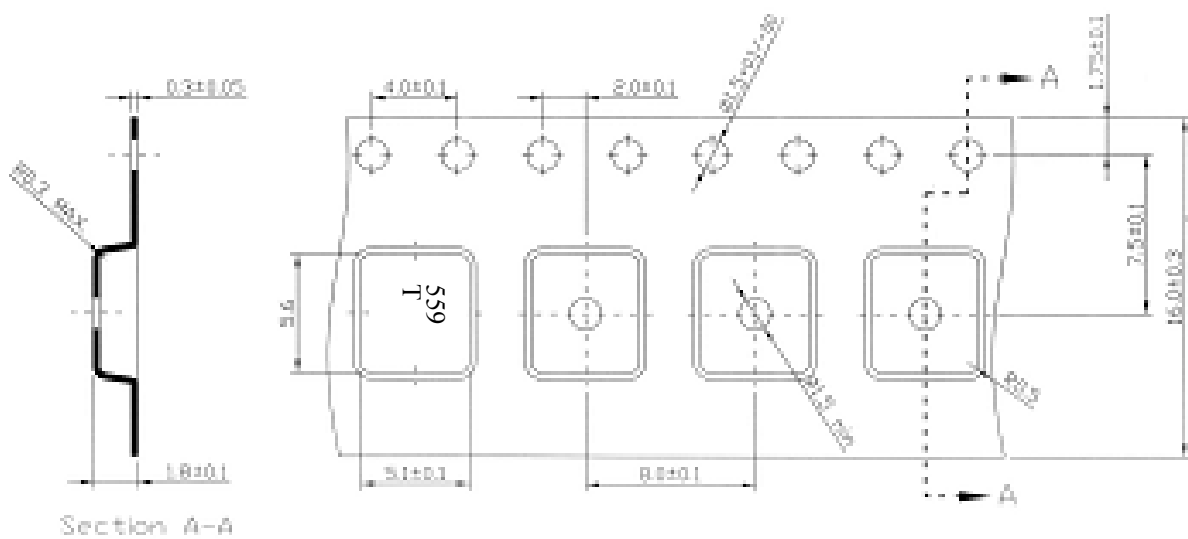


## G. PACKING:

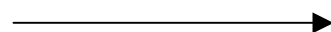
### 1. REEL DIMENSION



### 2. TAPE DIMENSION



Direction of Feed



## H.RECOMMENDED REFLOW PROFILE:

