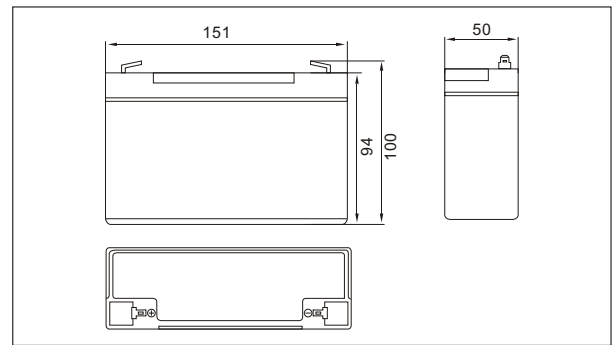




## SW6100(6V10AH)



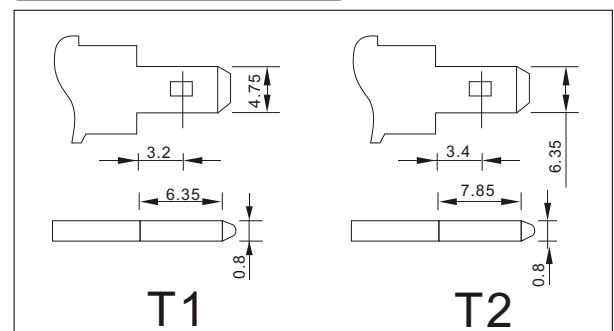
### ● Outer dimensions (mm)



### ● Specifications

Nominal Voltage		6 V
Rated capacity (20 hour rate)		10 Ah
Dimensions	Total Height	100mm(3.94 inches)
	Height	94 mm(3.70 inches)
	Length	151 mm(5.94 inches)
	Width	50 mm(1.97 inches)
Weight Approx		1.67 Kg(3.68lbs)

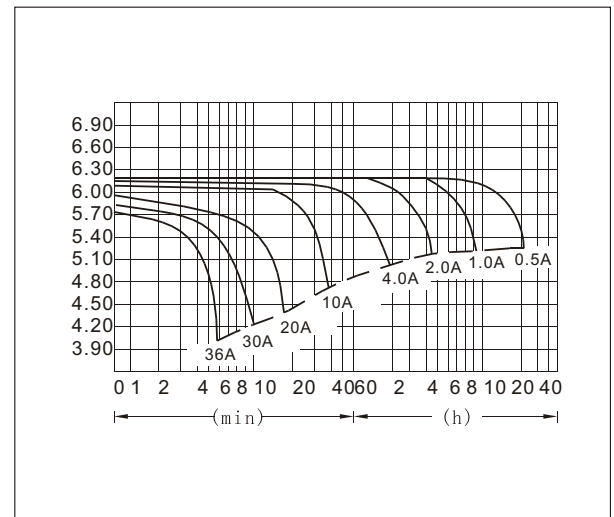
### ● Terminal Type (mm)



### ● Characteristics

Capacity 25°C(77°F)	20 hour rate(0.50A)	10.0 AH
	10 hour rate(0.92A)	9.20 AH
	5 hour rate(1.70A)	8.50 AH
	1 hour rate(6.00A)	6.00 AH
	1.5 hour discharge to 5.25 V	4.3 A
Internal Resistance	Full charged Battery at 25°C(77°F)	11 m Ω
Capacity affected by Temperature (20hour rate)	40°C(104°F)	102%
	25°C(77°F)	100%
	0°C(32°F)	85%
	-15°C(5°F)	65%
Self-Discharge at 25°C(77°F)	Capacity after 3 month storage	91%
	Capacity after 6 month storage	82%
	Capacity after 12 month storage	64%
Terminal		T1 or T2
Charge (constant Voltage)	Cycle	Initial Charging Current less than 4.0A Voltage 7.20-7.35 V
	Float	Voltage 6.75-6.90V

### ● Discharge Curves 25°C (77°F)



**Constant Current(Amp) and Constant Power(Watt) Discharge Table at 25°C(77°F)**

Time	5min	10min	15min	30min	1h	2h	3h	4h	5h	8h	10h	20h
4.80V	A	36.0	23.6	17.5	11.5	6.0	3.50	2.58	2.07	1.75	1.16	0.52
	W	187	127	94	61.9	32.5	19.2	14.33	11.63	9.98	6.65	3.00
5.10V	A	33.0	22.6	16.1	10.9	5.6	3.36	2.50	2.00	1.72	1.14	0.50
	W	177	126	90	61.3	31.9	19.4	14.48	11.63	10.02	6.65	2.96
5.25V	A	30.0	21.1	15.0	10.6	5.5	3.29	2.46	1.90	1.71	1.13	0.50
	W	165	120	86	60.8	31.5	19.1	14.31	11.13	9.96	6.63	2.96
5.40V	A	28.9	20.2	14.0	10.3	5.3	3.21	2.42	1.87	1.63	1.10	0.49
	W	162	116	81	59.6	30.6	18.8	14.25	11.02	9.60	6.50	2.90
5.55V	A	26.7	19.0	13.0	10.0	5.1	3.13	2.29	1.83	1.55	1.07	0.48
	W	151	110	76	58.5	29.8	18.5	13.60	10.92	9.27	6.40	2.88